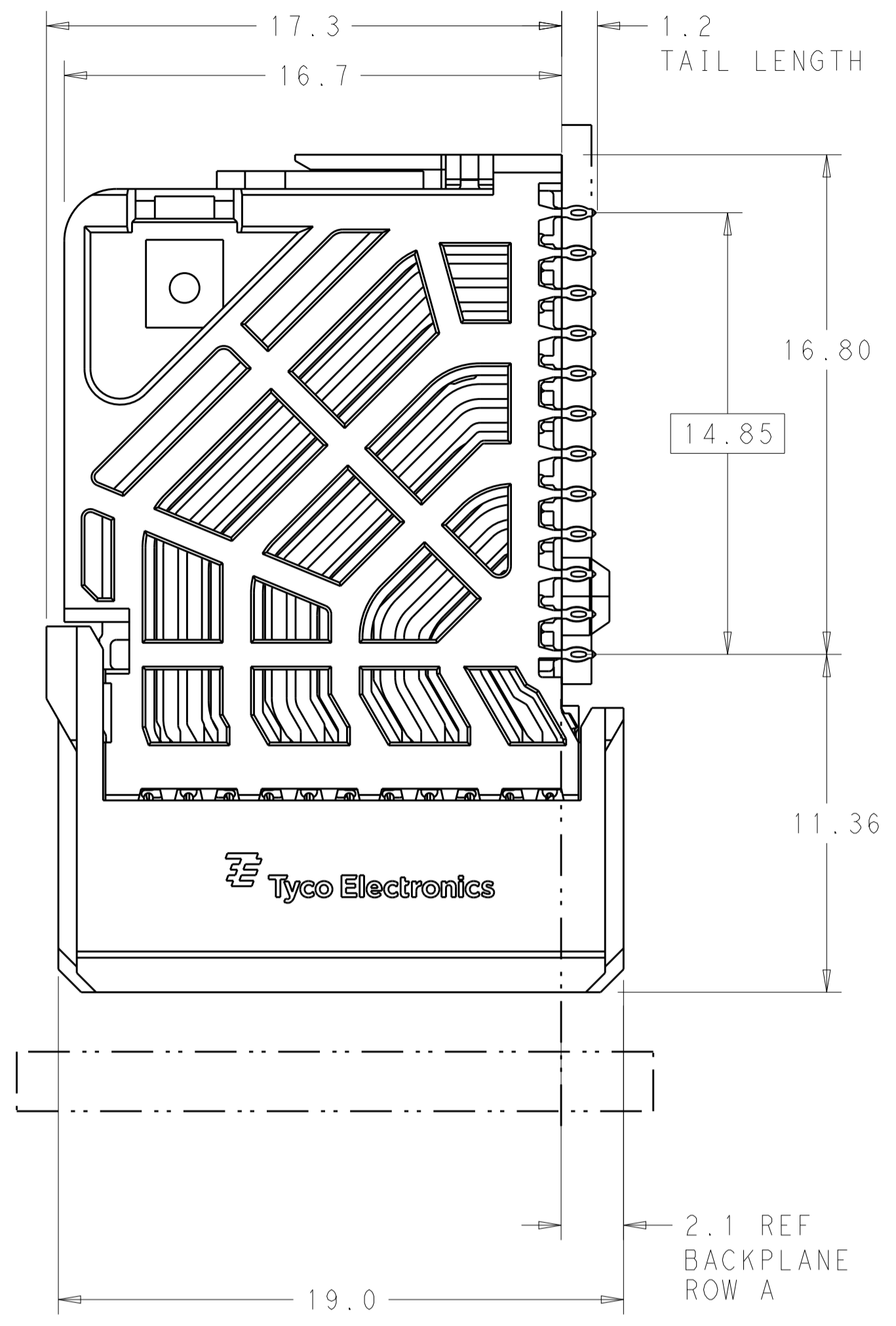
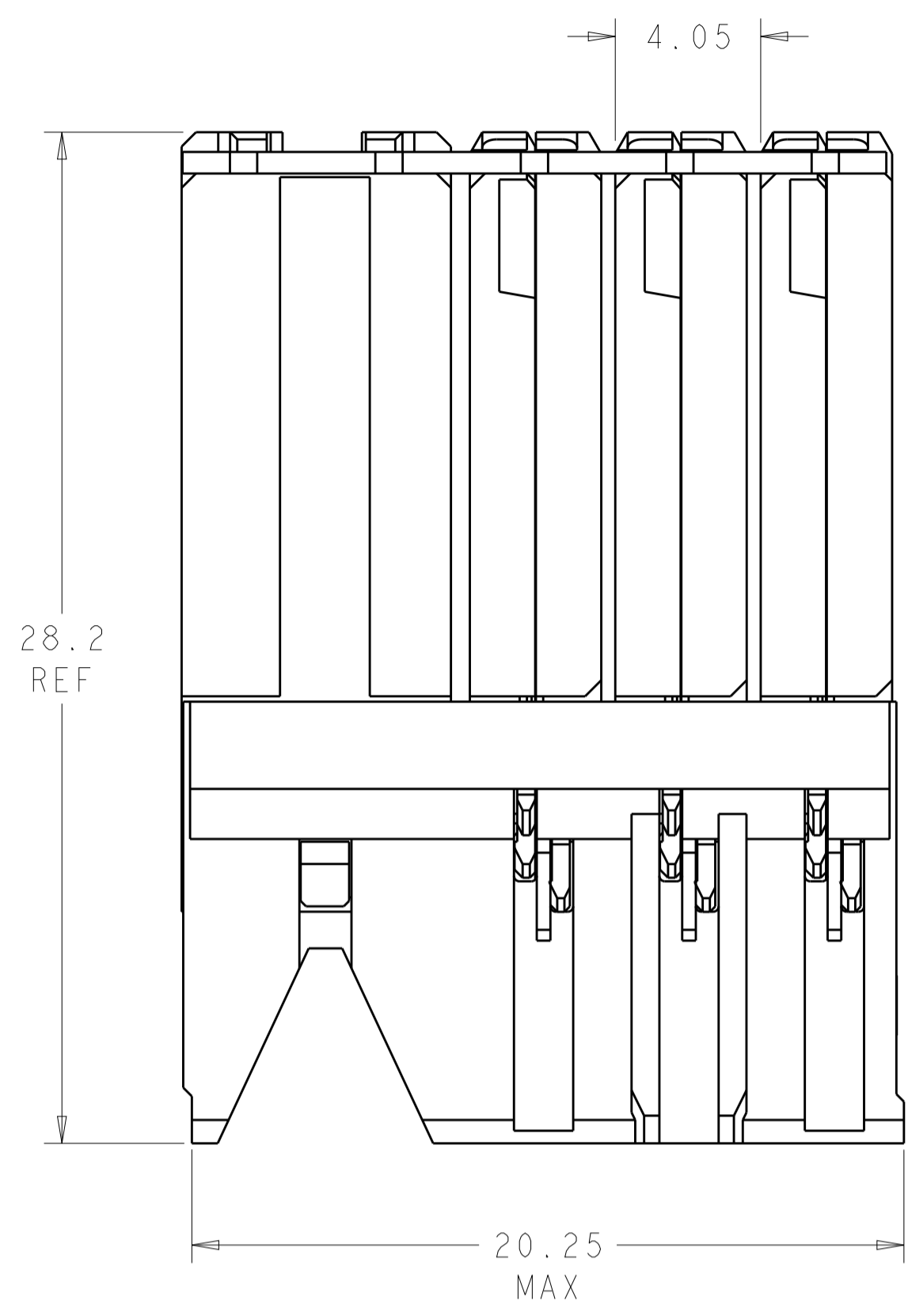
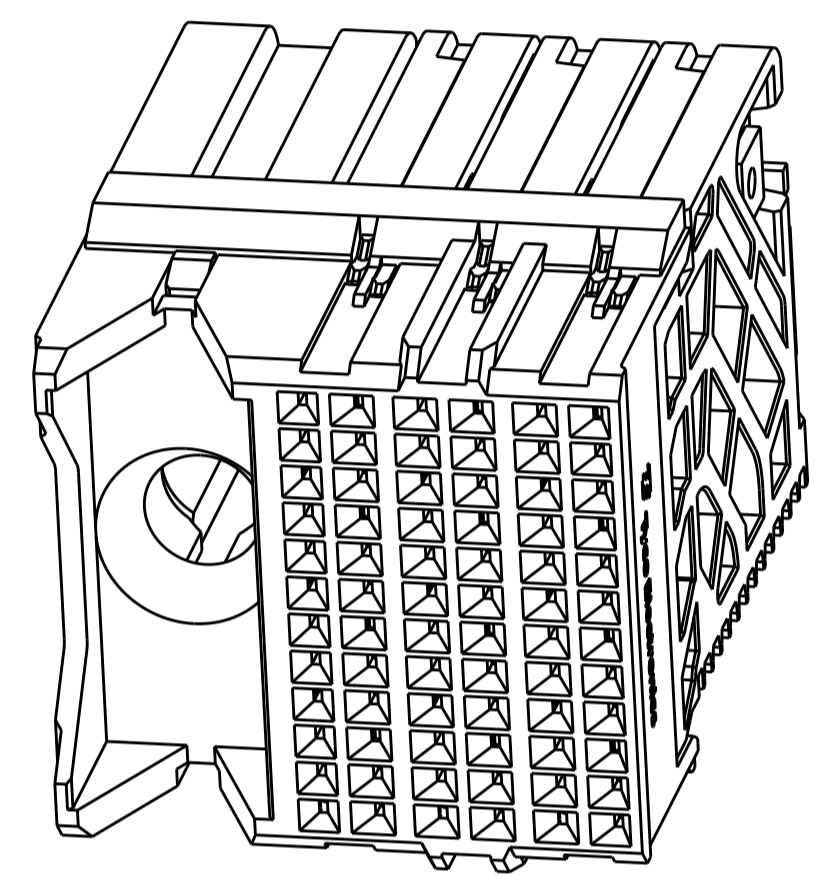


LOC	DIST	REVISIONS			
P	LTN	DESCRIPTION	DATE	DWN	APVD
A		DRAWING CREATED BY AUTOMATION PROGRAM	23MAY2015	AP	DD

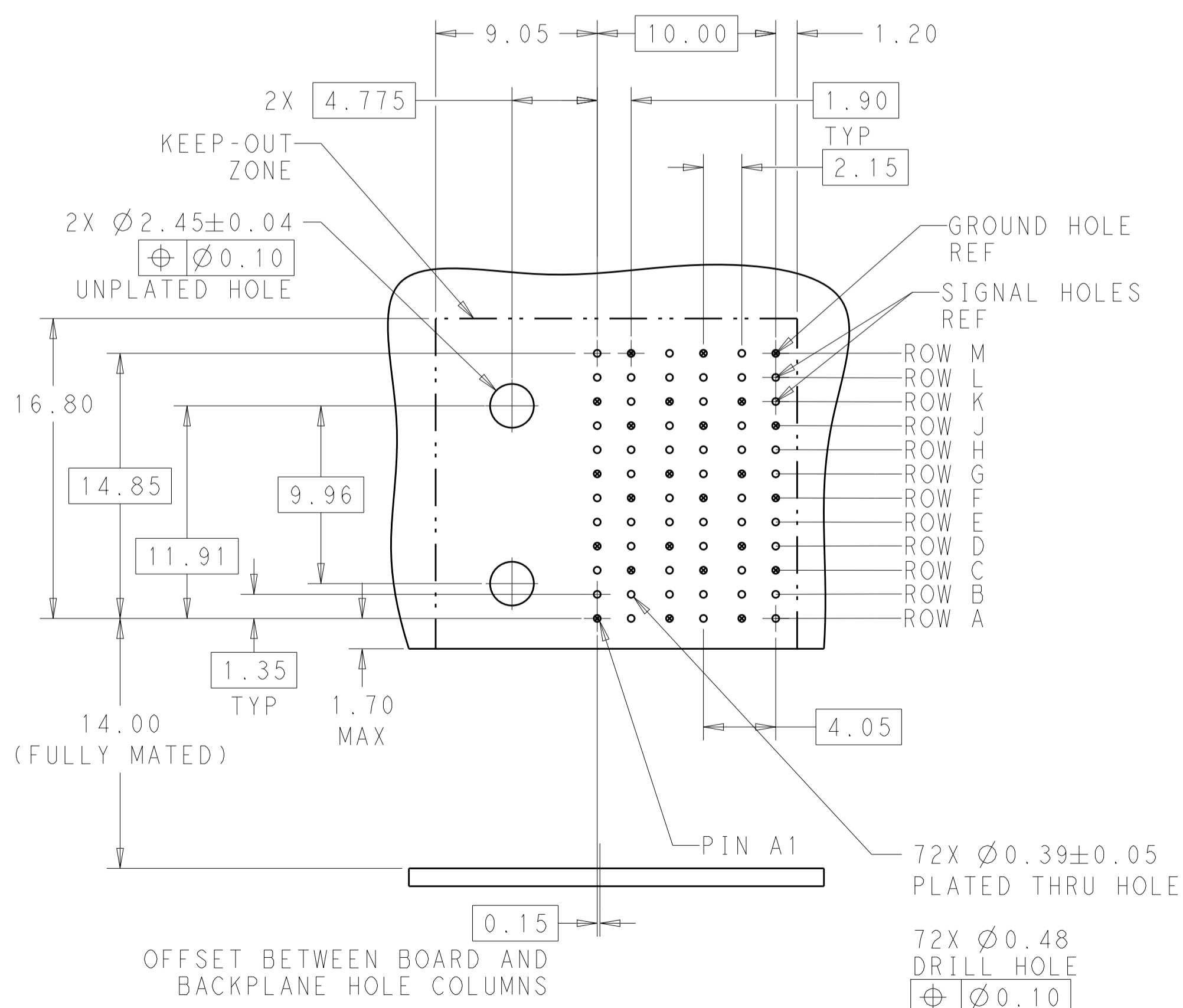
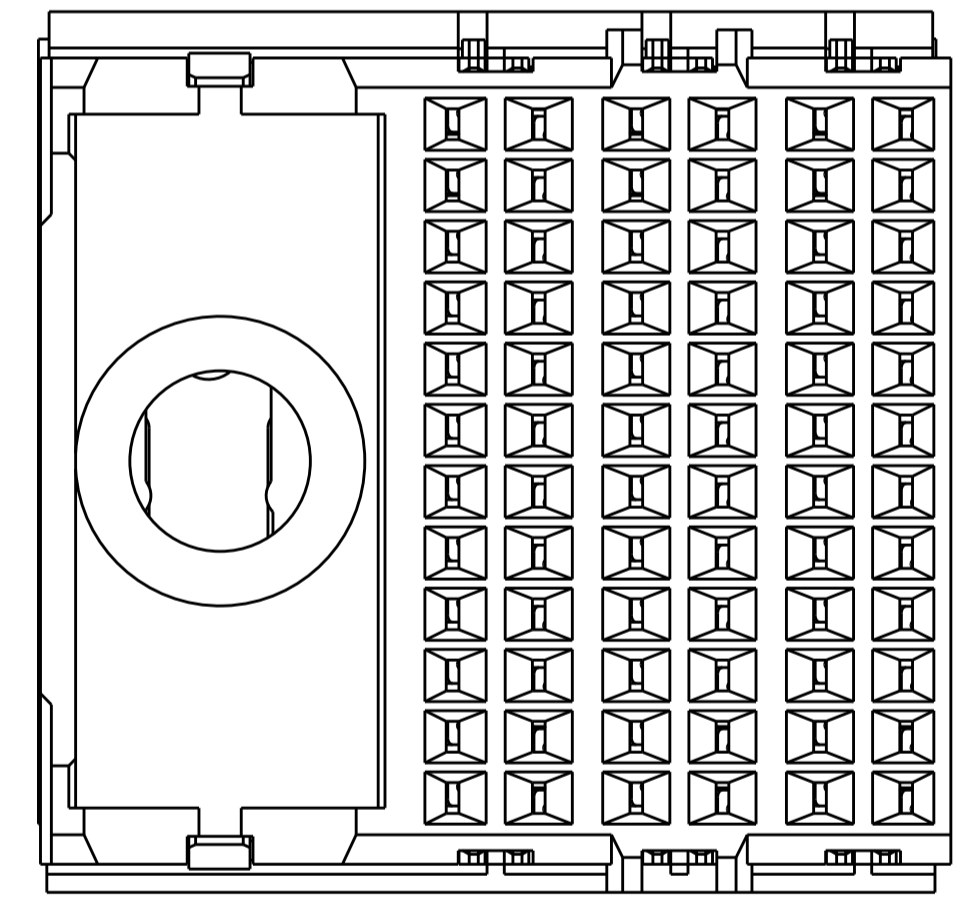


- ⚠ MATERIAL:
HOUSING: LCP, GLASS FILLED, UL94V-0.
TERMINALS: HIGH PERFORMANCE COPPER ALLOY.
- ⚠ FINISH:
30μ" SELECTIVE GOLD IN CONTACT AREA. SELECTIVE TIN ON PCB TAILS, NICKEL OVERALL.
- 3. CONNECTORS SUPPLIED WITH MOUNTING SCREWS.



SCALE 4:1

REFER TO WWW.TE.COM FOR PRODUCT AVAILABILITY



RECOMMENDED PCB LAYOUT
 MIN BOARD THICKNESS 1.0

NONE	⚠	2132461-1
KEY POSITION	FINISH	PART NUMBER
TE TE Connectivity		
DWN AJITH PAI 23MAY2015 CHK D. DIXON 23MAY2015 APVD D. DIXON 23MAY2015		NAME IMPACT, ORTHOGONAL, 4 PAIR, DAUGHTERCARD, 6 COLUMN, LEFT GUIDED SIGNAL MODULE, 0.39 EYELET.
DIMENSIONS: mm 0 PLC ±0.25 1 PLC ±0.13 2 PLC ±0.13 3 PLC ±0.13 4 PLC ±0.13 ANGLES ±0.13		RESTRICTED TO
MATERIAL SEE TABLE		SIZE CAGE CODE DRAWING NO. A100779C=2132461
CUSTOMER DRAWING		SCALE 4:1 SHEET 1 OF 1 REV A

单击下面可查看定价，库存，交付和生命周期等信息

[>>TE Connectivity\(泰科\)](#)