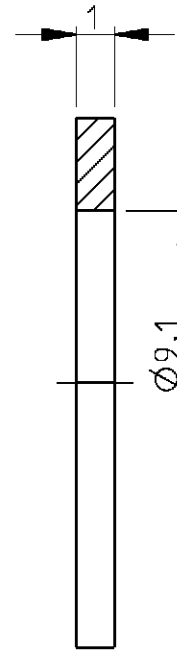
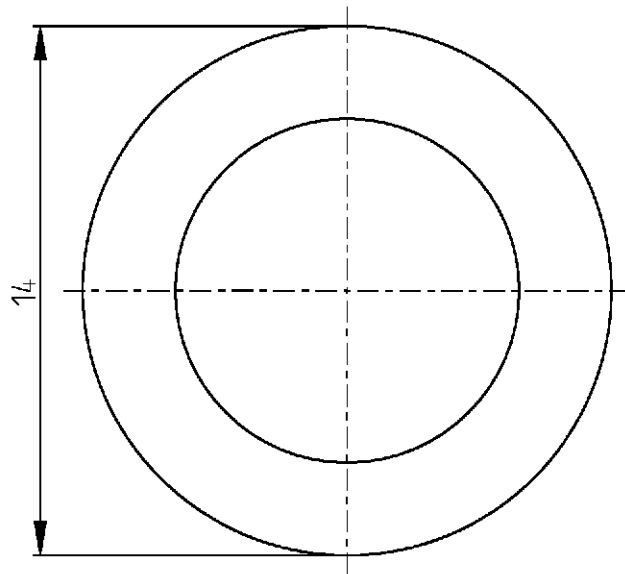
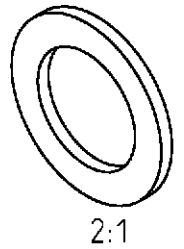
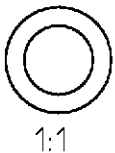


LOC	DIST	REVISIONS			
P	LTR	DESCRIPTION	DATE	DWN	APVD
GW	-	A	-	05APR2001	BL KM



Tolerance : ISO 8015 ISO 2768-m-R



Cross reference tabel	
Old part number	Tyco part number
C23335-A803-C128	1393562-6

THIS DRAWING IS UNPUBLISHED. 2000 RELEASED FOR PUBLICATION

COPYRIGHT 2000 BY TYCO ELECTRONICS CORPORATION. ALL RIGHTS RESERVED.

DIMENSIONS: mm  TOLERANCES UNLESS OTHERWISE SPECIFIED:  0 PLC ± 1 PLC ± 2 PLC ± 3 PLC ± 4 PLC ± ANGLES ±	DWN B. Lenvain 21FEB2001 CHR K. Mattheeuws 22FEB2001 APVD D. Bozzer 23FEB2001	MATERIAL POM FINISH -	Tyco Electronics Oostkamp - Belgium	
	PRODUCT SPEC - APPLICATION SPEC - WEIGHT -	NAME Insulating ring DIN 1.6/5.6 Jack		
	SIZE A 4 CAGE CODE 00779 DRAWING NO C=1393562-6	RESTRICTED TO -		
CUSTOMER DRAWING		SCALE 5/1	SHEET 1 OF 1	REV A

单击下面可查看定价，库存，交付和生命周期等信息

[>>TE Connectivity\(泰科\)](#)