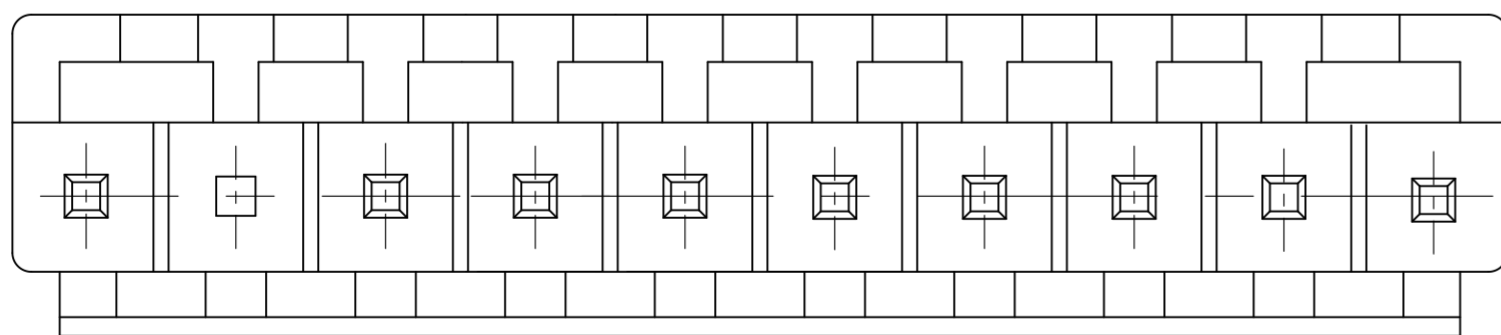
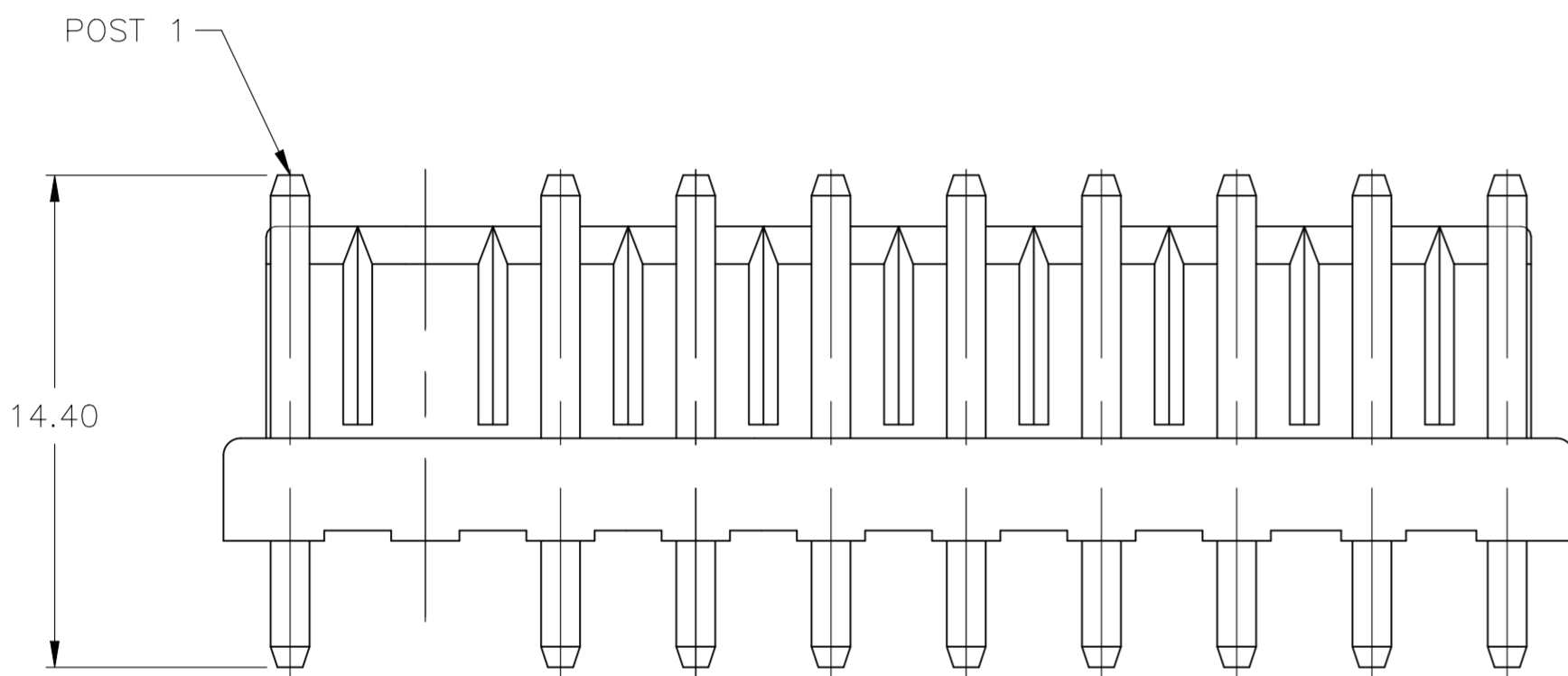
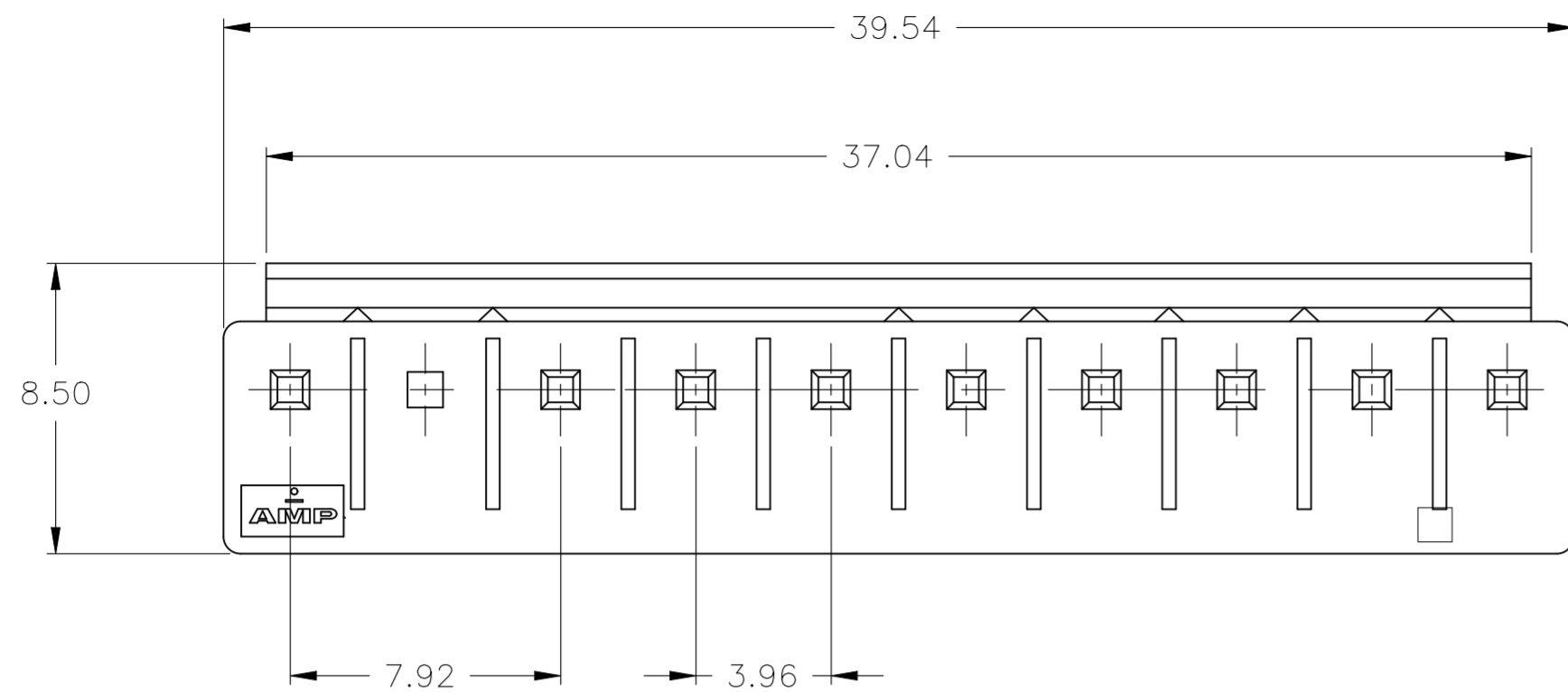
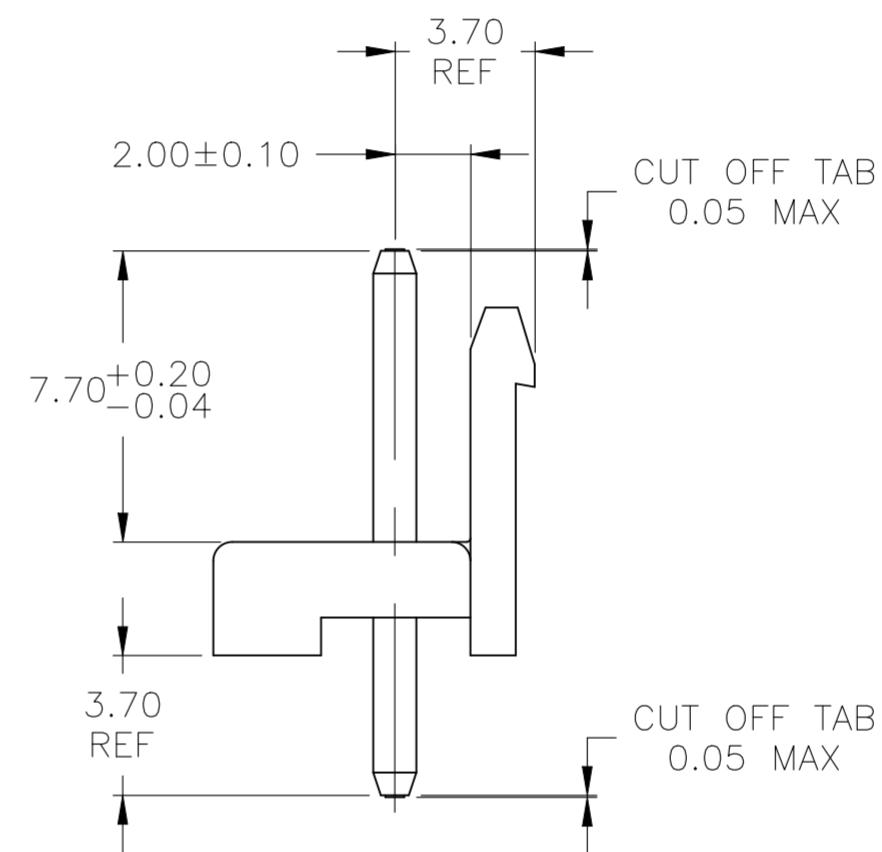


THIS DRAWING IS UNPUBLISHED. RELEASED FOR PUBLICATION
 © COPYRIGHT - By - ALL RIGHTS RESERVED.

LOC		DIST		REVISIONS			
P	LTR	DESCRIPTION		DATE	DWN	APVD	
GP	00	A2	REVISED PER ECR-21-100830		22MAR2021	SK	DZ



1 MATERIAL: HOUSING- PBT,
 POST- BRASS, 0.001[.000039] MIN TIN OVER
 0.0008[.000031] MIN NICKEL.



NATURAL	2,4,6,8	10	1744110-3
NATURAL	2	10	1744110-2
HOUSING COLOR	OMITTED POST NUMBER	NO. OF POSITIONS	ASSEMBLY PART NO.

THIS DRAWING IS A CONTROLLED DOCUMENT.		DWN 12DEC12 KIRAN HOLAL	TE Connectivity	
DIMENSIONS: mm		CHK 12DEC12 MICHIELUTTI THOMAS		
TOLERANCES UNLESS OTHERWISE SPECIFIED:		APVD 12DEC12 MICHIELUTTI THOMAS	NAME	
0 PLC ± -		PRODUCT SPEC	HEADER ASSEMBLY, SPECIAL, OMITTED POST, 10 POSITION, ECONOMY POWER (EP)	
1 PLC ± -		APPLICATION SPEC	SIZE	CAGE CODE
2 PLC ± 0.64		WEIGHT	A2	00779
3 PLC ± -		CUSTOMER DRAWING	DRAWING NO. C=1744110	
4 PLC ± -		SCALE	5:1	SHEET 1 of 1
ANGLES ± -		REV	A2	
FINISH		RESTRICTED TO		

单击下面可查看定价，库存，交付和生命周期等信息

[>>TE Connectivity\(泰科\)](#)