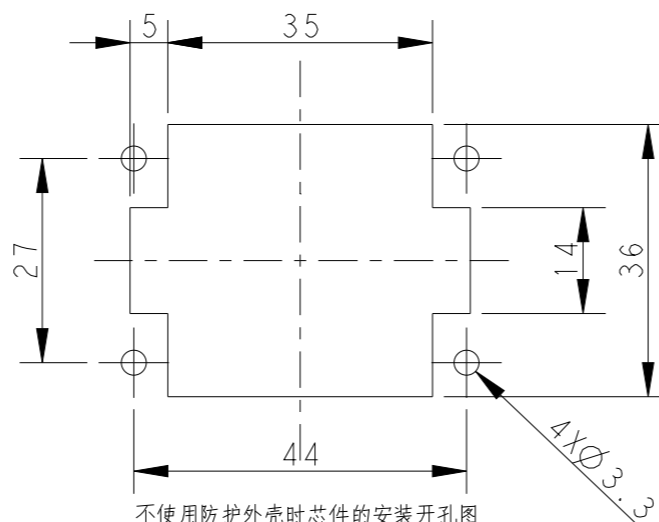
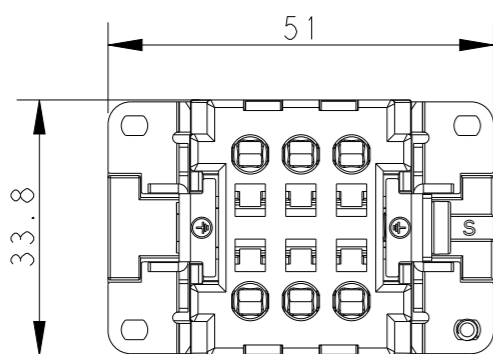


REVISIONS

P	LTR	DESCRIPTION	DATE	DWN	APVD
A		INITIAL RELEASE	06APR2015	GY	CW
B		ECR-15-013759	29SEP2015	DW	CW
C		ECR-21-106515	08JUL2021	SQ	CW



4 X M3 screw,
recommended tightening
torque 0.5Nm

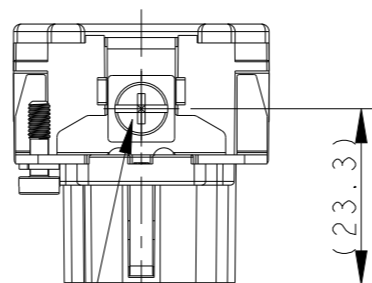
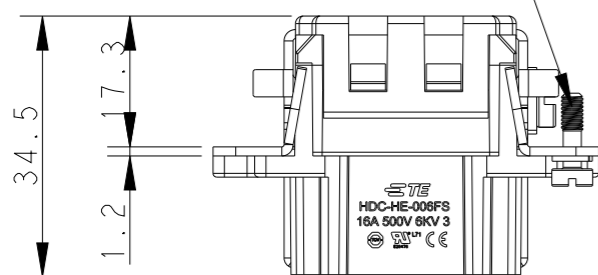
不使用防护外壳时芯件的安装开孔图
Panel cut out for inserts for
use without hoods/housings

NOTES:

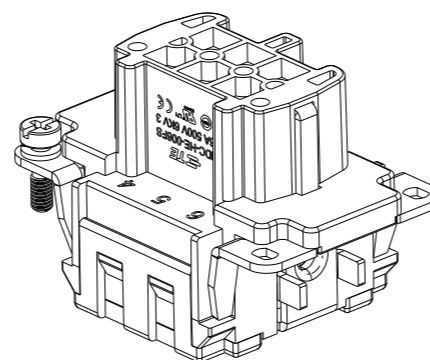
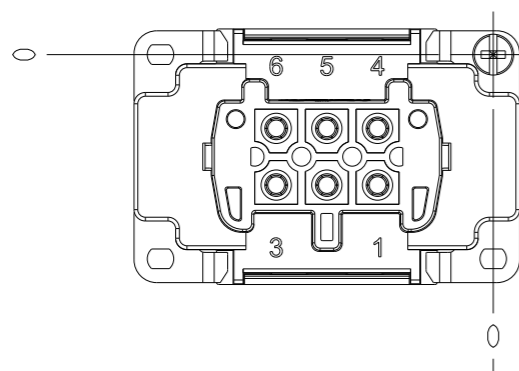
- TECHNICAL CHARACTERISTICS:
INSULATION MATERIAL: PC
RATED VOLTAGE: 500V
RATED CURRENT: 16A
INSULATION RESISTANCE: $\geq 400M\Omega$
RATED IMPULSE VOLTAGE: 6KV
POLLUTION DEGREE: 3
FLAMMABILITY: UL94V-0
MATING CYCLES: 500 CYCLES
OPERATION TEMPERATURE: $-40^{\circ}C \sim +125^{\circ}C$
WIRE RANGE: $0.5mm^2 \sim 2.5mm^2$ (AWG20-AWG14)
CONTACT TYPE: SPRING CLAMP

注释:


- 技术参数:
绝缘材料: PC
额定电压: 500V
额定电流: 16A
绝缘电阻: $\geq 400M\Omega$
脉冲电压: 6KV
污染等级: 3
阻燃等级: UL94V-0
插拔次数: 500 次
工作温度: $-40^{\circ}C \sim +125^{\circ}C$
接线范围: $0.5mm^2 \sim 2.5mm^2$ (AWG20-AWG14)
接线类型: 弹片压接



M4 screw, recommended
tightening torque 1.2Nm



HE-006-FS	T2040063201-000
DESCRIPTION	PART NUMBER

THIS DRAWING IS A CONTROLLED DOCUMENT.		DWN	06APR2015	 TE Connectivity	NAME	HE-006-FS	
DIMENSIONS:		CHK	06APR2015				
mm		APVD	06APR2015				
TOLERANCES UNLESS OTHERWISE SPECIFIED:		PRODUCT SPEC	108-137044				
1 PLC	±-	APPLICATION SPEC	114-137044	SIZE	CAGE CODE	DRAWING NO	RESTRICTED TO
2 PLC	±-	MATERIAL	-	A3	00779	T2040063201000	-
3 PLC	±-	FINISH	-	Customer Drawing			SCALE
4 PLC	±-						1:1
ANGLES	±-						SHEET
							1 OF 1
							REV
							C

单击下面可查看定价，库存，交付和生命周期等信息

[>>TE Connectivity\(泰科\)](#)