

4

3

2

1

THIS DRAWING IS UNPUBLISHED.

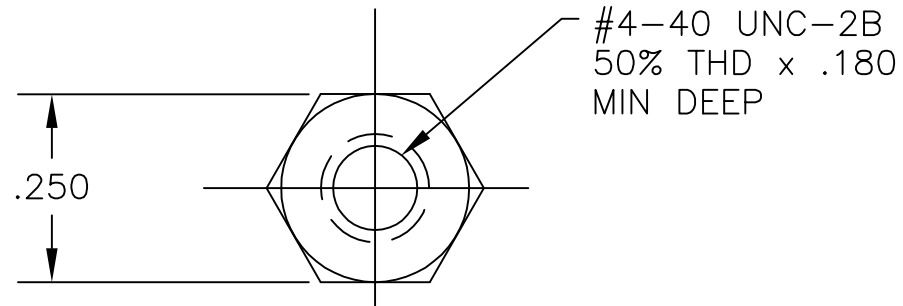
RELEASED FOR PUBLICATION

REVISIONS

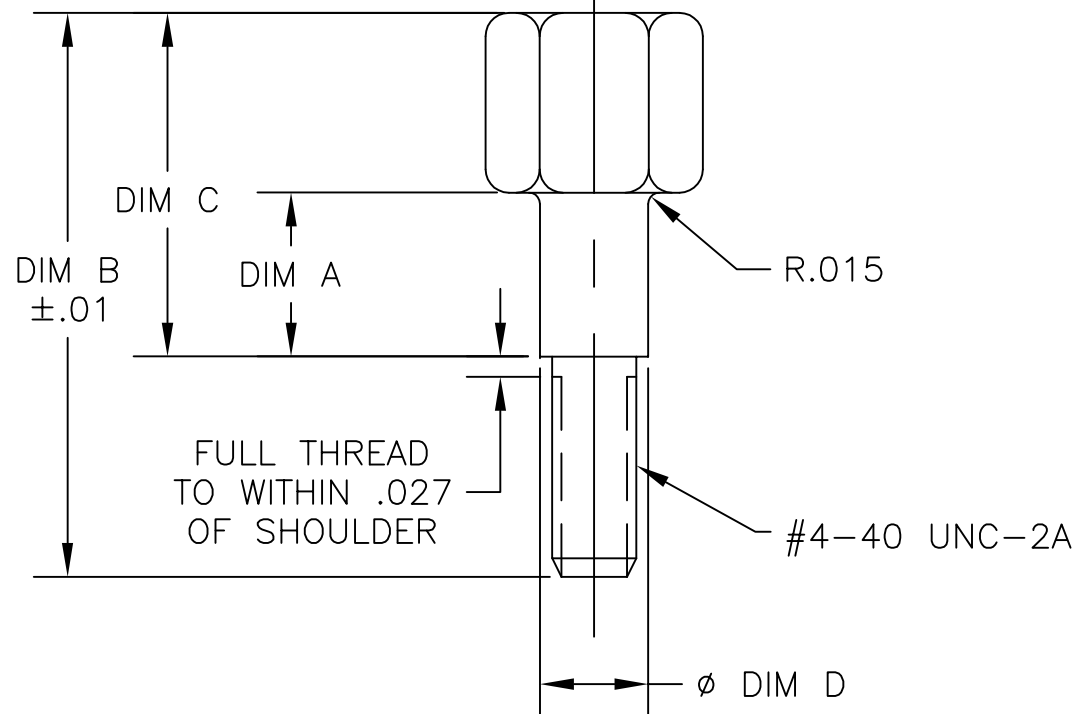
© COPYRIGHT 2005 By -

ALL RIGHTS RESERVED.

P	LTR	DESCRIPTION	DATE	DWN	APVD
	B	REVISED PER ECO-17-007294	16MAR2017	RG	SH



1 MATERIAL: CARBON STEEL, ZINC PLATE WITH YELLOW TRIVALENT CHROMATE.



	.138-.144	.347	.64	.108	5229995-2
OBSOLETE	.138-.144	.457	.75	.218	5229995-1
	ø DIM D	DIM C	DIM B	DIM A	PART NO.

THIS DRAWING IS A CONTROLLED DOCUMENT. DIMENSIONING AND TOLERANCING PER ASME Y14.5M-2009		DWN G.PETERS 05OCT05	STE TE Connectivity		
DIMENSIONS: INCHES		CHK W.MILLHIMES 05OCT05			
TOLERANCES UNLESS OTHERWISE SPECIFIED: 0 PLC ± - 1 PLC ± - 2 PLC ± - 3 PLC ± .005 4 PLC ± - ANGLES ± -		APVD M.WALMSLEY 05OCT05	NAME STAND-OFF, SUTD, MTG		
MATERIAL 1		FINISH 1	PRODUCT SPEC -	APPLICATION SPEC -	RESTRICTED TO -
		WEIGHT 0.000000	SIZE A3	CAGE CODE 00779	DRAWING NO C=5229995
CUSTOMER DRAWING			SCALE 4:1	SHEET 1 of 1	REV B

单击下面可查看定价，库存，交付和生命周期等信息

[>>TE Connectivity\(泰科\)](#)