

**SAFETY ORGANIZATIONS**

THIS FILTER HAS BEEN FORMALLY RECOGNIZED, CERTIFIED OR APPROVED BY THE LISTED AGENCY. THEREFORE, ALL TEST REQUIREMENTS SPECIFIED IN THE LATEST REVISION OF THE FOLLOWING AGENCY STANDARDS HAVE BEEN MET:

- UL RECOGNIZED: UL 1283
- CSA CERTIFIED: CSA 22.2, # 0,0,4,8
- VDE APPROVED: EN 133 200

**OPERATING SPECIFICATIONS**

LINE CURRENT/VOLTAGE: 15 AMP, 120/250 VAC,  
10 AMP/40°C, 250 VAC

LINE FREQUENCY: 50-60Hz

MAXIMUM LEAKAGE CURRENT,  
EACH LINE TO GROUND: 0.07 mA @ 120V 60Hz  
0.13 mA @ 250V 50Hz

OPERATING AMBIENT TEMP. RANGE: -10°C TO +40°C @ RATED CURRENT,  $I_r$ .

IN AN AMBIENT,  $T_0$ , HIGHER THAN 40°C, THE MAXIMUM OPERATING CURRENT,  $I_0$ , IS AS FOLLOWS:

$$I_0 = I_r \sqrt{\frac{100 - T_0}{60}}$$

**RELIABILITY SPECIFICATIONS:**

STORAGE TEMPERATURE: -40°C TO +85°C  
HUMIDITY: 21 DAYS @ 40°C 95% RH.  
CURRENT OVERLOAD TEST: 6 TIMES  $I_r$  FOR 8 SECONDS

**TEST SPECIFICATIONS:**

INDUCTANCE: N/A mH  
CAPACITANCE: (MEASURED @ 1KHz, 0.250VAC MAX., 25°C±1°C)  
LINE TO GROUND: 1000pF ± 20%  
LINE TO LINE: N/A  
DISCHARGE RESISTOR: N/A  
L/G AND L/L I.R.: N/A  
NO DISCHARGE RESISTOR: 6000Ω (MIN.) @ 100VDC, 20°C AND 50% RH

**RECOMMENDED RECEIVING INSPECTION HIPOT:**

LINE TO GROUND: 1500 VAC FOR 1 MINUTE  
LINE TO LINE: 1450 VDC FOR 1 MINUTE

**FILTER APPROVAL:**

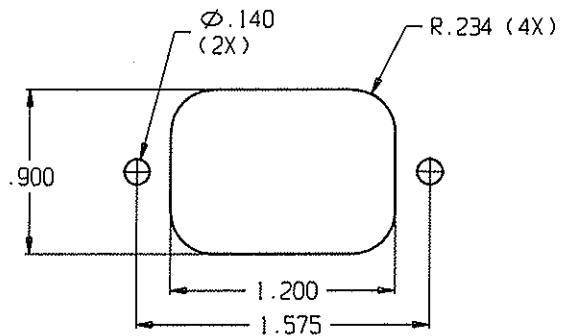
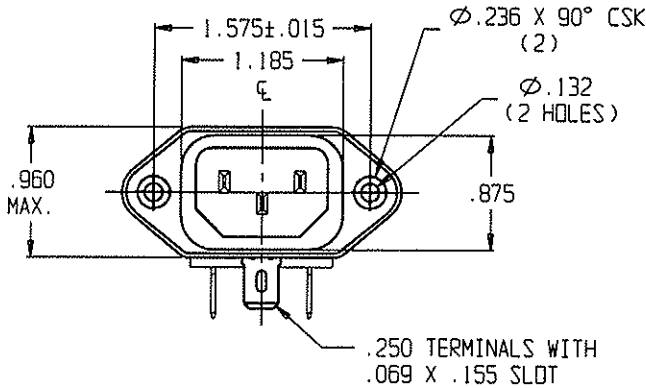
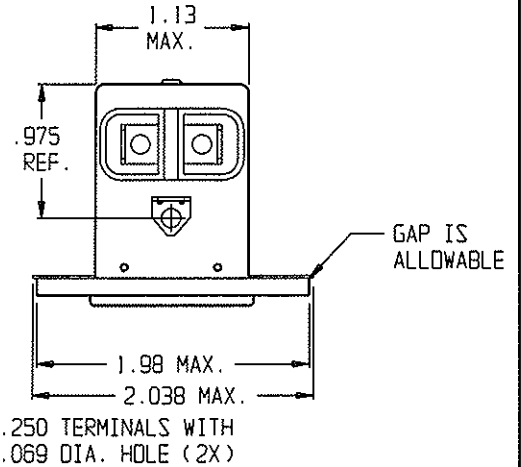
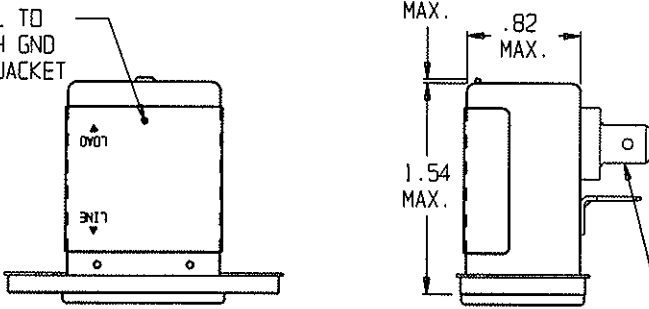
THE BEST WAY TO SELECT AND QUALIFY A FILTER IS FOR YOUR ENGINEERING TO TEST THE UNIT IN YOUR EQUIPMENT.

**CUSTOMER DRAWING**

**CATALOG # 15SRB2-X**

ECN #	APPRVD.	DATE
	PJD	02MAY07

DOT ON LABEL TO  
LINE UP WITH GND  
TAB IN THE JACKET



PANEL CUTOUT (BACK MOUNT)  
TOLERANCE ± .005

50Ω - 50Ω (MINIMUM) INSERTION LOSS							THIRD ANGLE PROJECTION		tyco/Electronics CORCOM 620 S. BUTTERFIELD RD. HUNDELEIN IL 60060			
FREQUENCY MHz	1.0	5.0	10	50	100	300	UNLESS OTHERWISE SPECIFIED, TOLERANCE TO BE ± .025 MATERIAL & FINISH: AS SUPPLIED		POWER LINE FILTER			
COMMON dB	/	5	9	25	10	17			CAD FILE: G:\CD\15SRB2-X00 TYCO # 5-6609887-1			
DIFF. dB	/	/	/	/	/	/	This document is proprietary to CORCOM INC and is not to be reproduced nor used for manufacturing purposes except on CORCOM'S prior written consent.		SCALE: .75:1	DATE: 18JAN06	CATALOG NO. 15SRB2-X	REV. 0
									DRW. BY: SD	ORTG: PJD		

单击下面可查看定价，库存，交付和生命周期等信息

[>>TE Connectivity\(泰科\)](#)