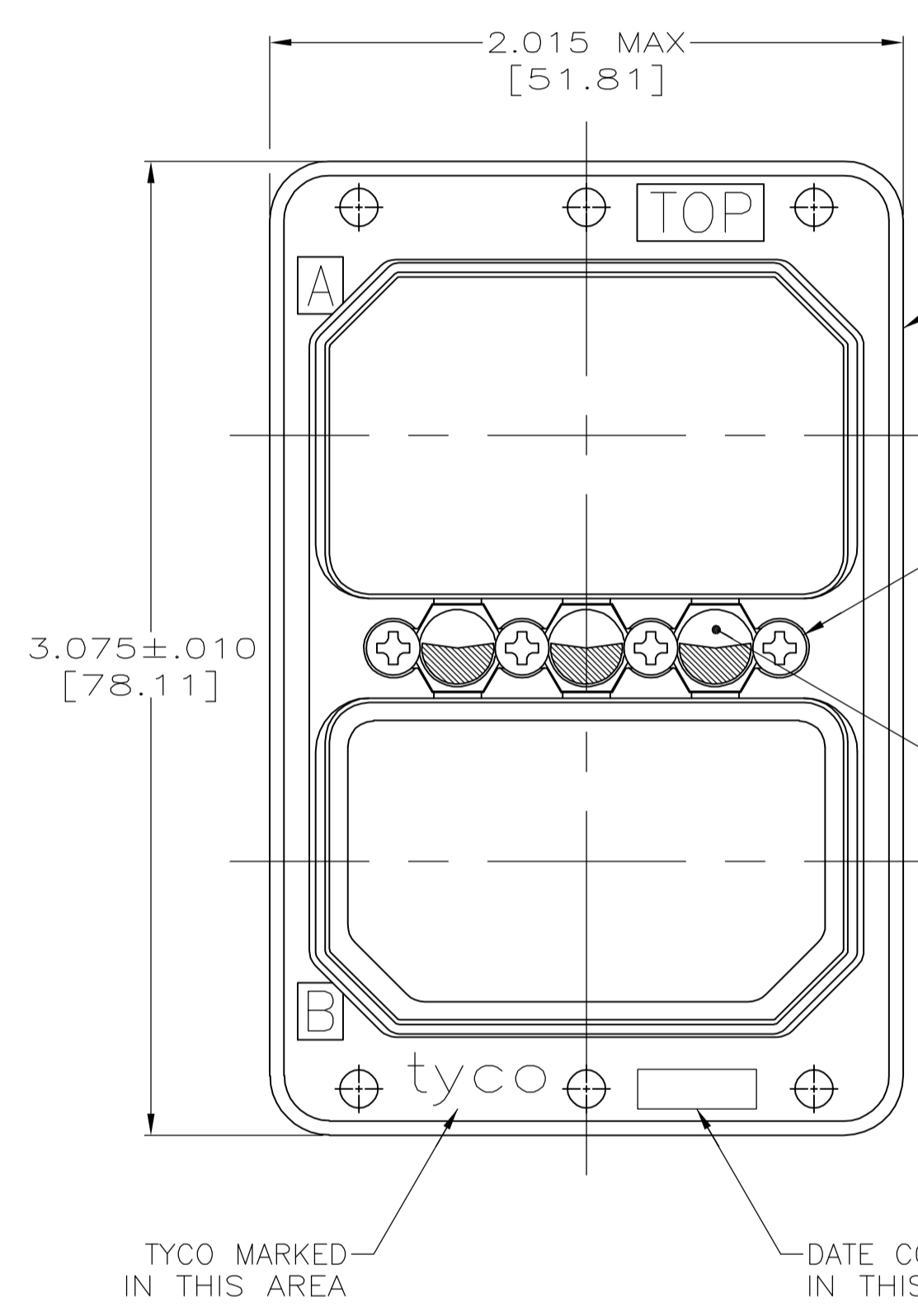


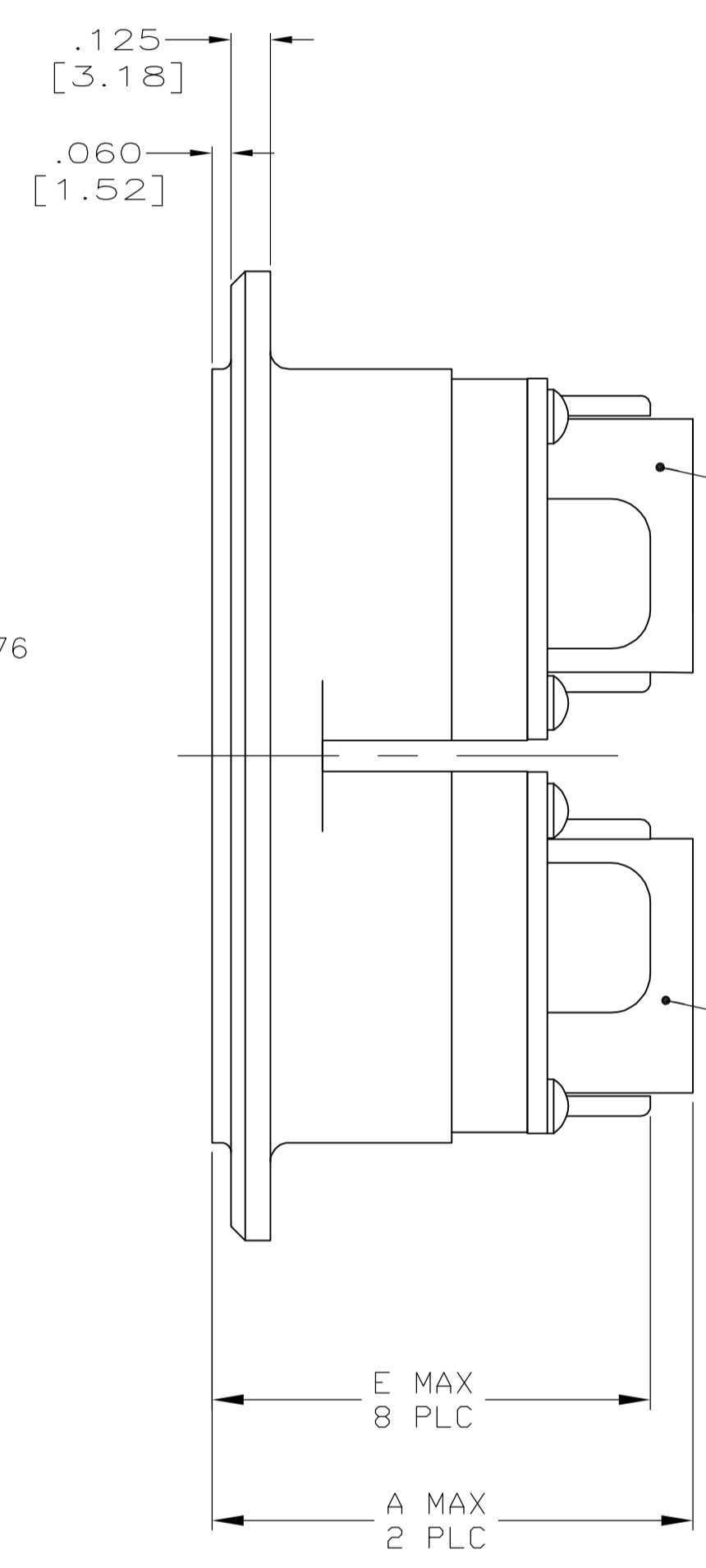
TYCO PART NUMBER & DESCRIPTIVE NO. MARKED IN THIS AREA



RECEPTACLE SHELL
 MATERIAL: ALUMINUM PER QQ-A-591
 FINISH: CADMIUM PLATED PER QQ-P-416
 COLOR: YELLOW CHROMATE

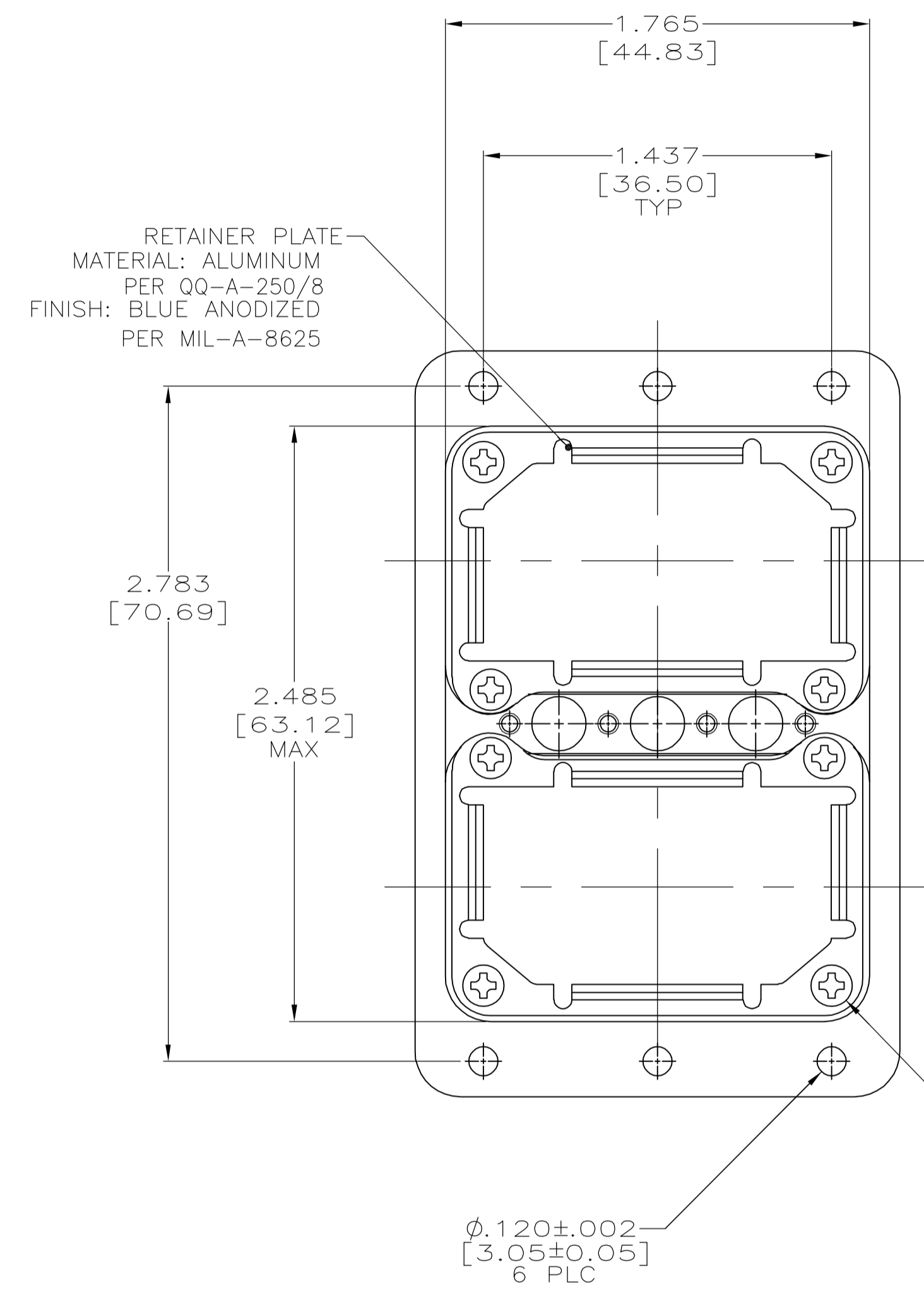
SCREW, 4 REQUIRED
 MATERIAL: STAINLESS STEEL PER QQ-S-776
 FINISH: PASSIVATED PER QQ-P-358

KEYING INSERT, 3 REQUIRED
 MATERIAL: ALUMINUM PER QQ-A-200
 FINISH: CADMIUM PLATED PER QQ-P-416
 YELLOW CHROMATE

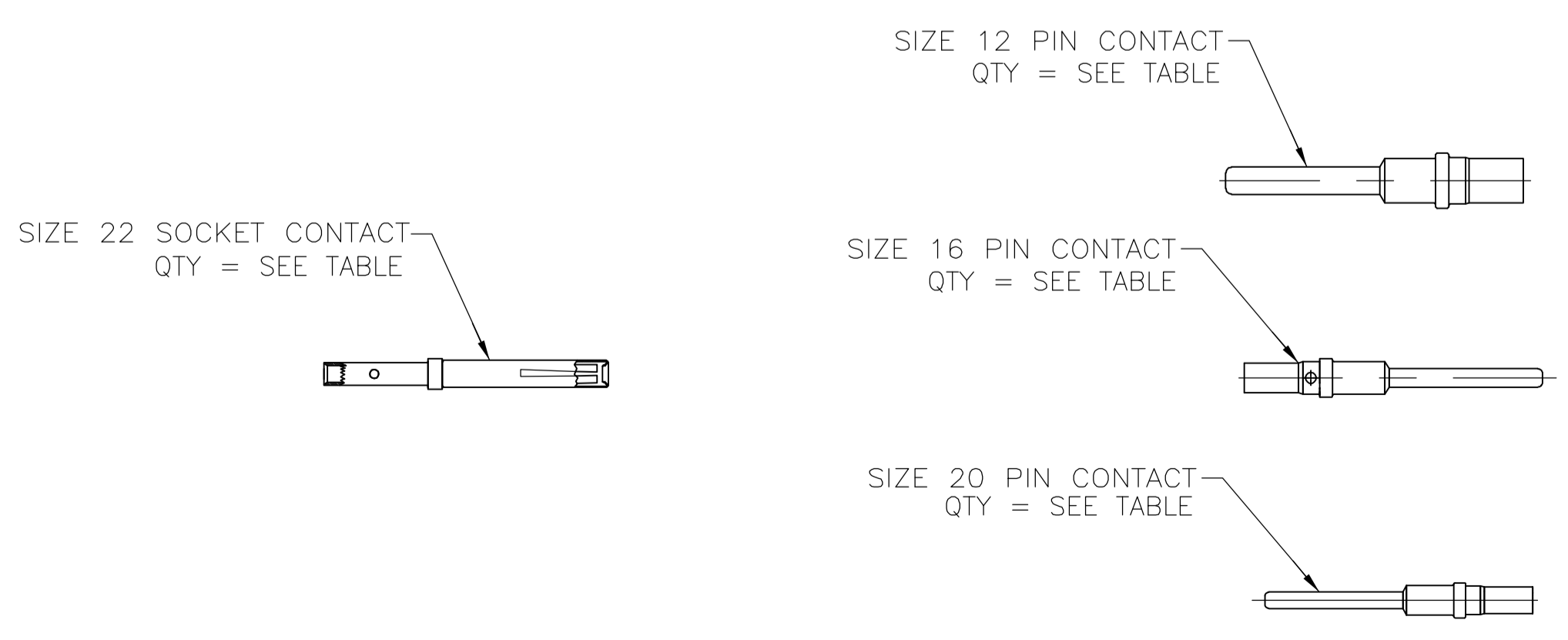
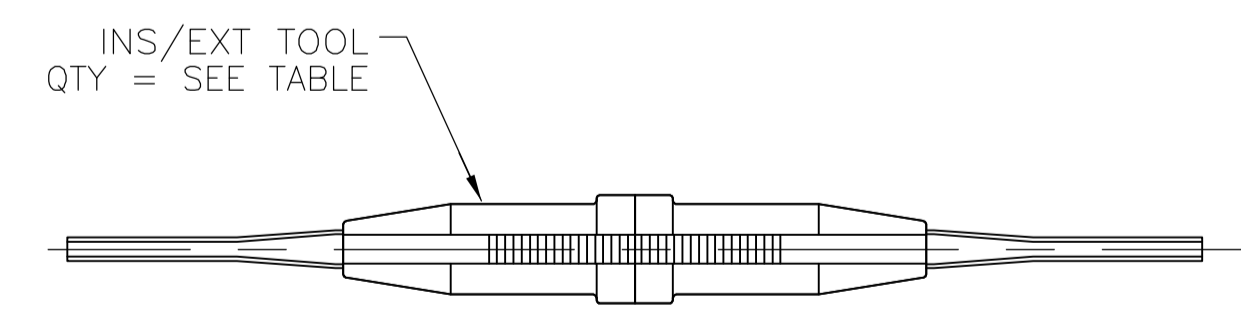


INSERT ASSY
 SEE TABLE FOR MATERIAL & SIZE

INSERT ASSY
 SEE TABLE FOR MATERIAL & SIZE



SCREW & LOCKWASHER (QTY=8)
 MATERIAL: STAINLESS STEEL
 PER QQ-S-766
 FINISH: PASSIVATED
 PER QQ-P-358



KEYING IS SET IN POSITION "01".
 2. CONTACTS ARE PACKAGED SEPARATELY AND SHIPPED WITH CONNECTOR. 213442-2 ONLY

THIS DRAWING IS A CONTROLLED DOCUMENT.		DW	C.C.THOMAS	8-22-05	 Tyco Electronics Corporation Harrisburg, Pa 17105-3608
DIMENSIONS: INCHES		CHK	D.FABY	8-22-05	
TOLERANCES UNLESS OTHERWISE SPECIFIED:		APVD	D.FABY	8-22-05	NAME
0 PLC	± -	PRODUCT SPEC		ASSEMBLY, ARINC 404 RECEPTACLE	
1 PLC	± -	APPLICATION SPEC		-	
2 PLC	± -	MATERIAL		-	
3 PLC	± .005 [0.13]	WEIGHT		-	
4 PLC	± -	CUSTOMER DRAWING		-	
ANGLES	± -	SCALE		2:1	
FINISH	SEE CALLOUTS	SHEET		1 OF 2	
MATERIAL SEE CALLOUTS		REV		D	

57P	106S	106S	106S	106S	67P	40P	INSERT A
57P	106S	106S	106S	33C4P	D8P	8P	INSERT B
00	01	23	01	00	01	01	MODIFICATION CODE, SEE DRAWING 205100
00	01	01	01	01	01	01	KEYING CODE, SEE DRAWING 204014
00	01	01	01	01	01	01	CUSTOMER ORDERING CODE, SEE DRAWING 205102
114					64		204938-3 PIN CONT, SIZE 20 - LEADED COPPER; PL GOLD OVER NICKEL
					7		204978-3 PIN CONT, SIZE 16 - LEADED COPPER; PL GOLD OVER NICKEL
					4		205763-3 PIN CONT, SIZE 12 - LEADED COPPER; PL GOLD OVER NICKEL
					10		203839-1 SEALING PLUG, SIZE 20 - FLUOROPOLYMER; RED
					2		203839-2 SEALING PLUG, SIZE 16 - FLUOROPOLYMER; BLUE
					1		205574-1 SEALING PLUG, SIZE 12 - FLUOROPOLYMER; YELLOW
8	8	8	8	8	8	8	LOCKWASHER - STAINLESS STEEL; PASSIVATED
8	8	8	8	8	8	8	MACHINE SCREW - STAINLESS STEEL; PASSIVATED
2	2	2	2	2	2	2	GROMMET PROTECTOR - ALUMINUM; ANODIZED BLUE
4	4	4	4	4	4	4	FLATHEAD SCREW - STAINLESS STEEL; PASSIVATED
3	3	3	3	3	3	3	KEYING INSERT - ALUMINUM; PL CADMIUM, YELLOW CHROMATE
2	2	2	2	2	2	2	SOCKET INSERT ASSEMBLY - EPOXY; BLACK
2	2	2	2	2	2	2	PIN INSERT ASSEMBLY - EPOXY; BLACK
1	1	1	1	1	1	1	SHELL - ALUMINUM; PL CADMIUM, YELLOW CHROMATE
-7	-6	-5	-4	-3	-2	-1	PART NO
							DESCRIPTION
							205103-3 SOCKET CONTACT (SIZE 22)
							WASHER - STAINLESS STEEL; PASSIVATED
							ALIGNMENT BUSHING - STAINLESS STEEL; PASSIVATED
						4	CLINCH NUT - STEEL; PL CADMIUM
					1		91066-4 INSERT/EXTRACT TOOL, SIZE 20 - ACETAL/BE CU; PL NICKEL
					1		91066-3 INSERT/EXTRACT TOOL, SIZE 16 - ACETAL/BE CU; PL NICKEL

		INSERT ARRANGEMENT													
		C2	C3	8	C8	D8	26	32C2	33C4	40	40C1	45	57	67	106
A DIM.				38.74 [1.525]		38.74 [1.525]			38.74 [1.525]	38.74 [1.525]				38.74 [1.525]	32.49 [1.279]
E DIM.				36.83 [1.450]		36.83 [1.450]			36.83 [1.450]	36.83 [1.450]				36.83 [1.450]	31.24 [1.230]

THIS DRAWING IS A CONTROLLED DOCUMENT.

DIMENSIONS: INCHES	TOLERANCES UNLESS OTHERWISE SPECIFIED:	DWN: MARK HOFFECKER 3-11-87	APVD: LARRY LAWNER 3-11-87	tyco Electronics	Tyco Electronics Corporation Harrisburg, Pa 17105-3608
	0 PLC ± .005 1 PLC ± .005 2 PLC ± .005 3 PLC ± .005 4 PLC ± .005 ANGLES ± .005	APVD: E. HOWARD 3-11-87	NAME: E. HOWARD	PRODUCT SPEC: ---	APPLICATION SPEC: ---
MATERIAL: SEE TABLE	FINISH: SEE TABLE	WEIGHT: ---	SIZE: A1	CAGE CODE: 00779	DRAWING NO: 213442
CUSTOMER DRAWING			SCALE: 1:1	SHEET: 2 of 2	REV: D

单击下面可查看定价，库存，交付和生命周期等信息

[>>TE Connectivity\(泰科\)](#)