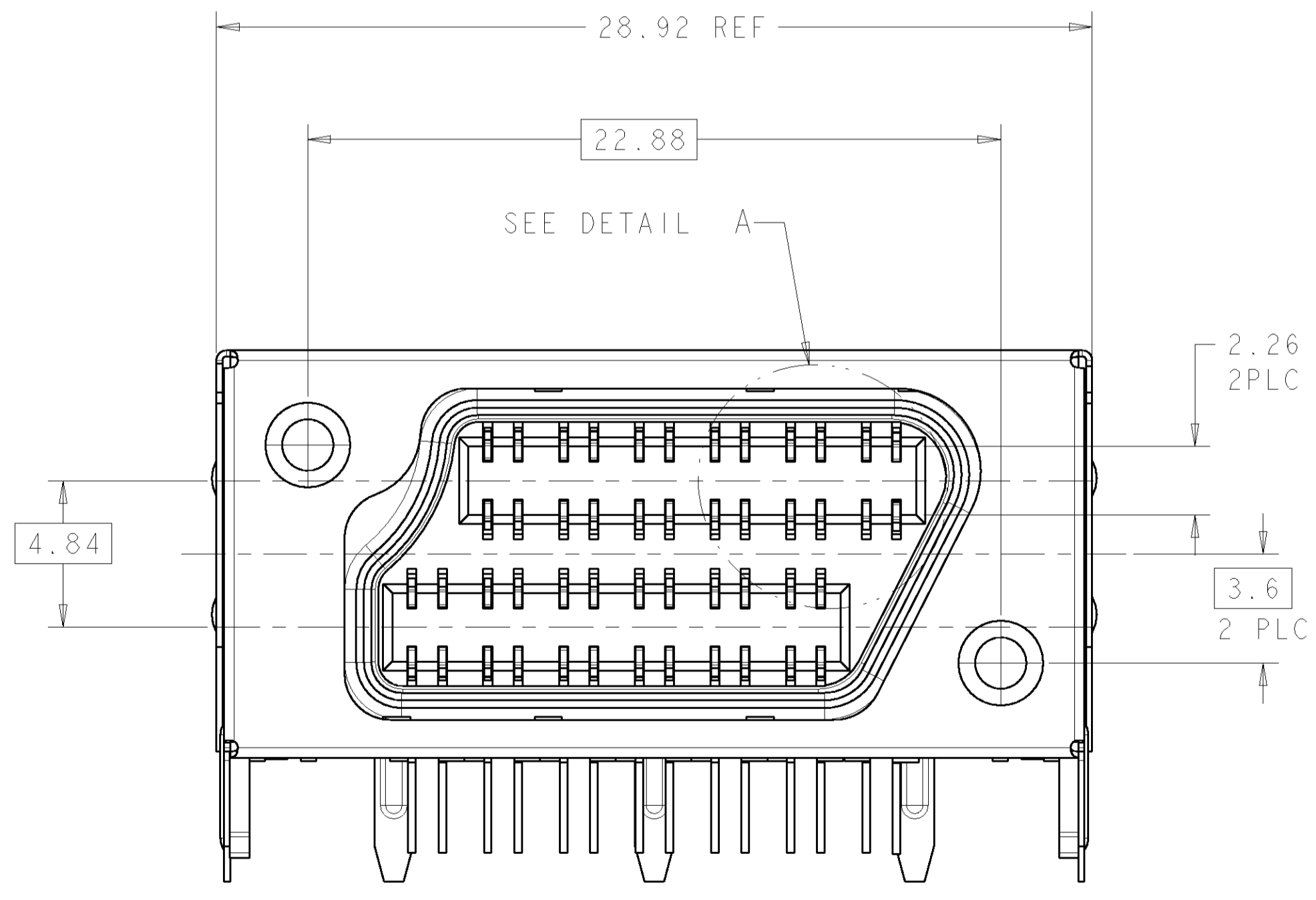


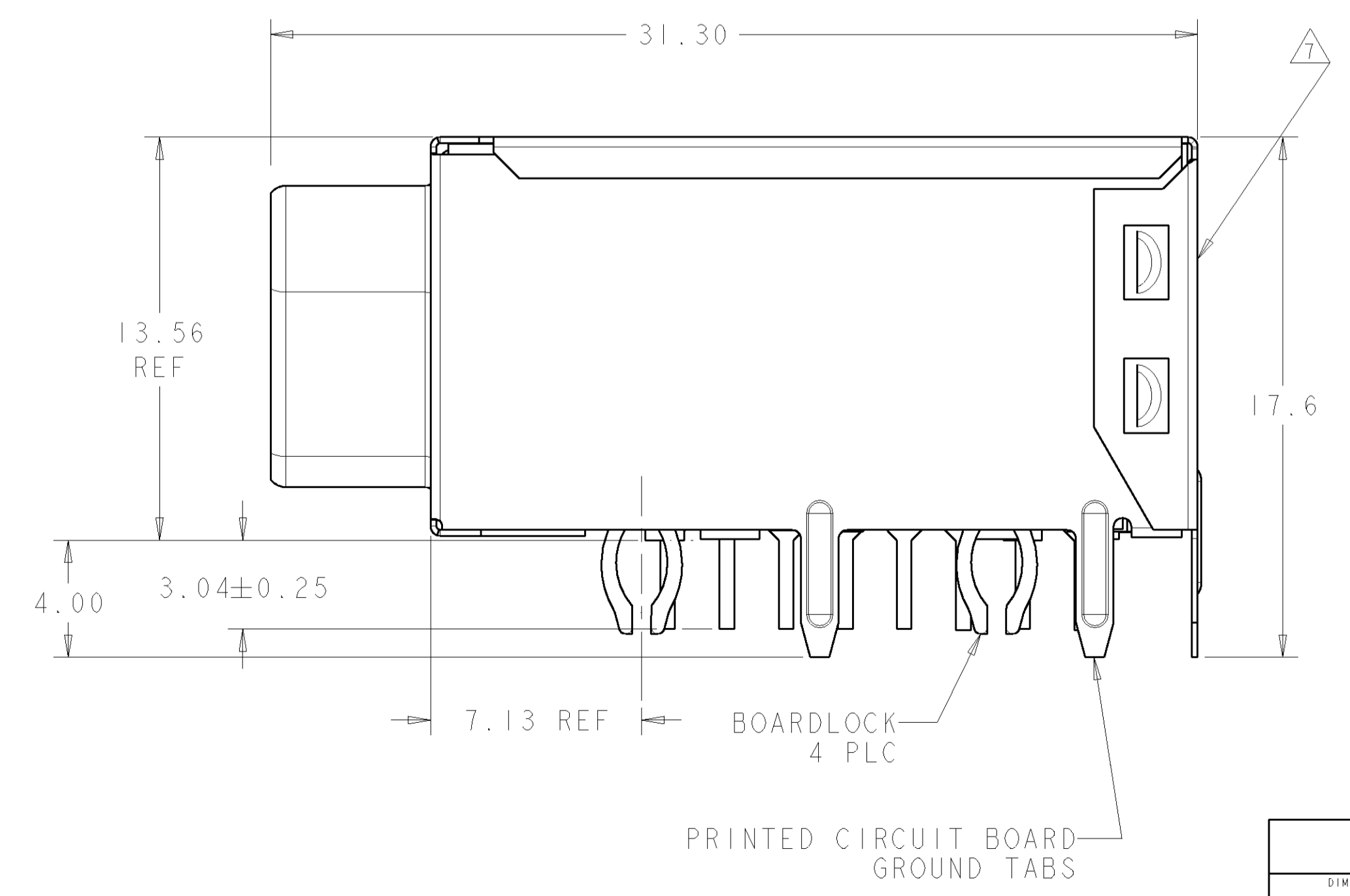
- 1 MATERIAL:
 HOUSING - BLACK THERMOPLASTIC, PBT FLAMMABILITY RATING UL 94V-0
 SHIELD -0.2 MM THICK BRASS - PLATED 1.98µm MIN THK. TIN OVER
 1.27µm MIN THK NICKEL. (EXCEPT 1761482-4 DOES NOT HAVE TIN)
 FRONT DRAWN SHELL - CARBON STEEL - PLATED WITH 5.08µm MIN NICKEL
 BOARD LOCKS - BRASS PLATED WITH 1.27µm MIN TIN OVER 1.27µm MIN NICKEL
 CONTACTS - 0.254 MM THK. PHOSPHOR BRONZE - ENTIRE TERMINAL PLATED
 WITH 2.54µm MIN NICKEL. MATING AREA PLATED WITH GOLD FLASH OVER
 0.76µm MIN Pd-Ni .SOLDER TAILS WITH 1.98µm MIN TIN
 INSERTS, THREADED - MILD STEEL
 SCREW LOCKS - STAINLESS STEEL.
- 3 THE SCREW LOCKS ARE FOR USE WITH JACKSCREWS TO PROVIDE CABLE RETENTION.
- 4 RECOMMENDED TORQUE FOR SCREW LOCK IS 4 IN-LB. FOR PANEL MOUNTED VERSION (1761482-1 AND 1761482-4).
 RECOMMENDED TORQUE FOR SCREW LOCK IS 2 IN-LB. FOR PANEL GROUND VERSION (1761482-2).
- 5 SCREW LOCK DESIGNATION:
 SCREW LOCKS MUST BE ORDERED SEPARATELY FROM TABLE BELOW.

> 1mm - < 2mm	1339381-4	100
	1339381-2	960
0mm - < 1mm	1339381-3	100
	1339381-1	960
PANEL THICKNESS	SCREW LOCK P/N	PKG QTY

- 6 IF DIM "A" NEEDS TO BE INCREASED FOR STRUCTURAL PURPOSES, A CUT-OUT WILL BE REQUIRED ON THE PCB TO CLEAR BOTTOM PANEL GROUNDS.
- 7 DATE CODE AND PART NUMBER LABEL IN APPROXIMATE AREA SHOWN.
- 9 DATUM AND BASIC DIMENSIONS ESTABLISHED BY CUSTOMER

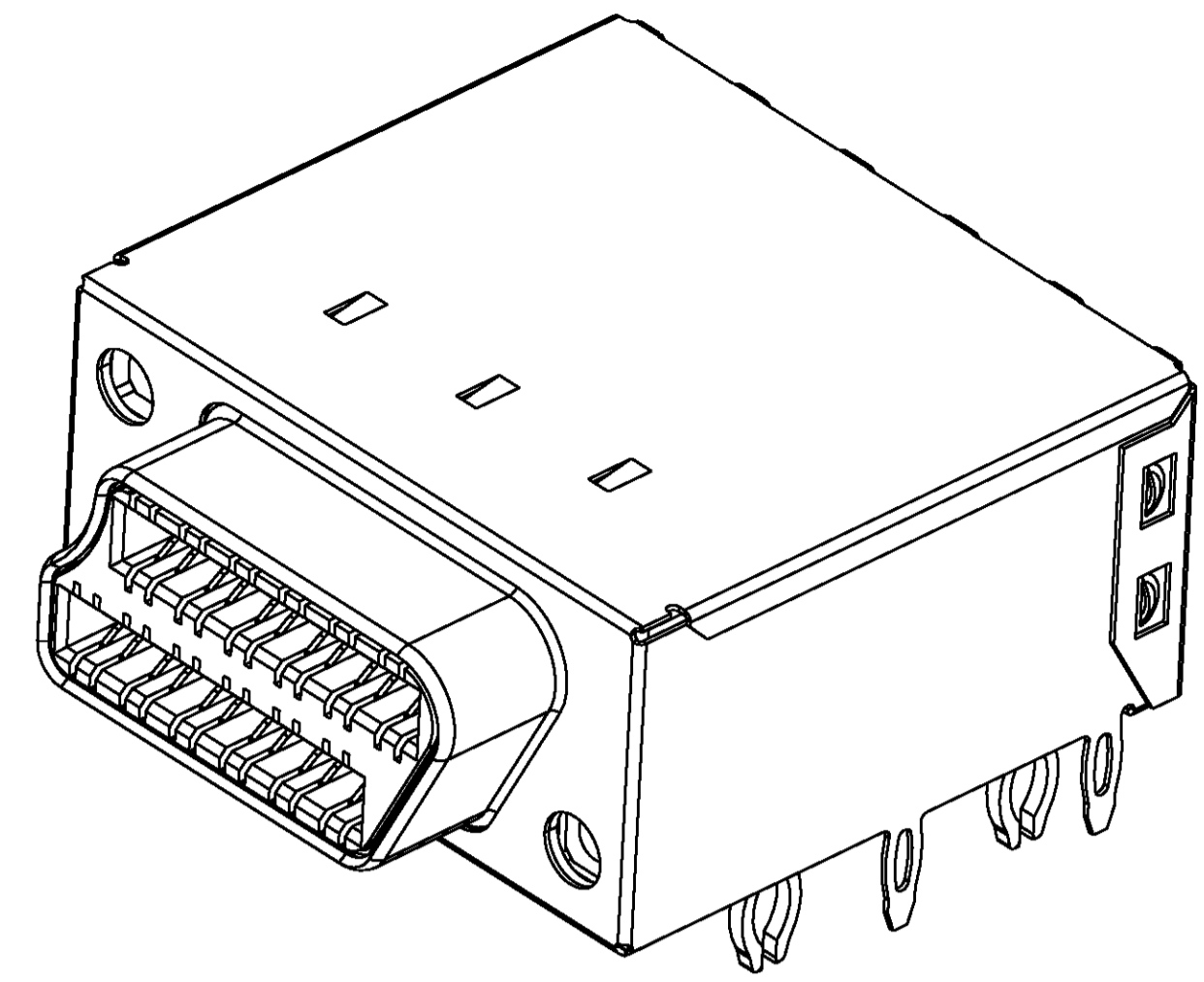


1761482-1 SHOWN

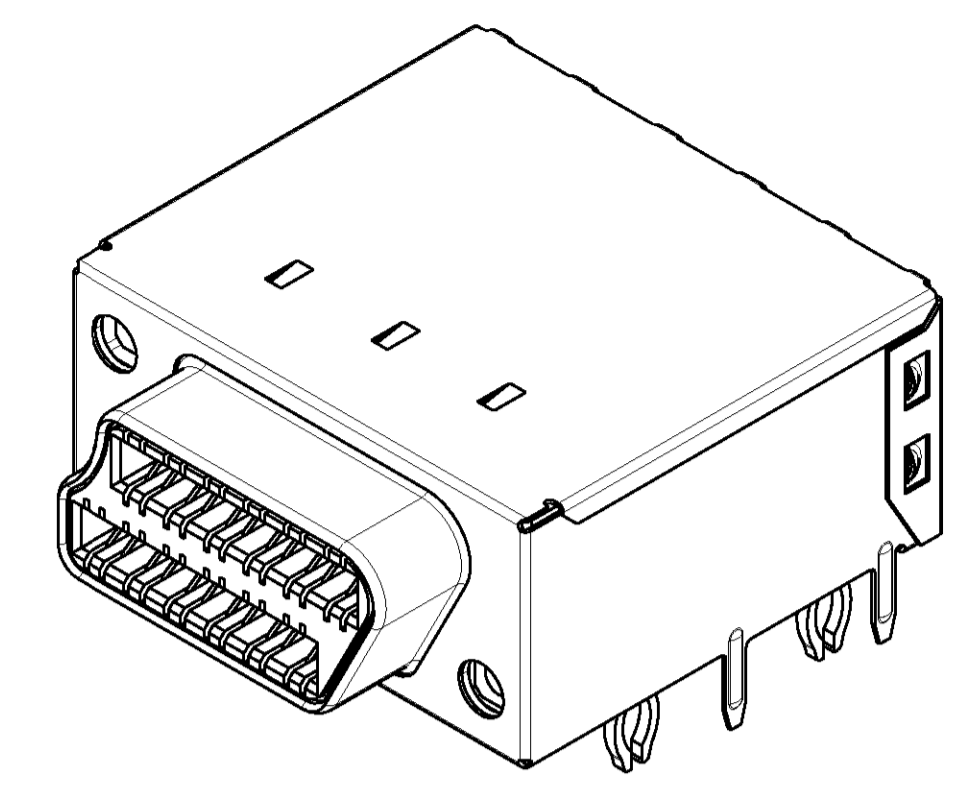


-	NO	1761482-4
2.8 6	YES	1761482-2
-	NO	1761482-1
DIM "A"	PANEL GROUND TABS	PART NUMBER

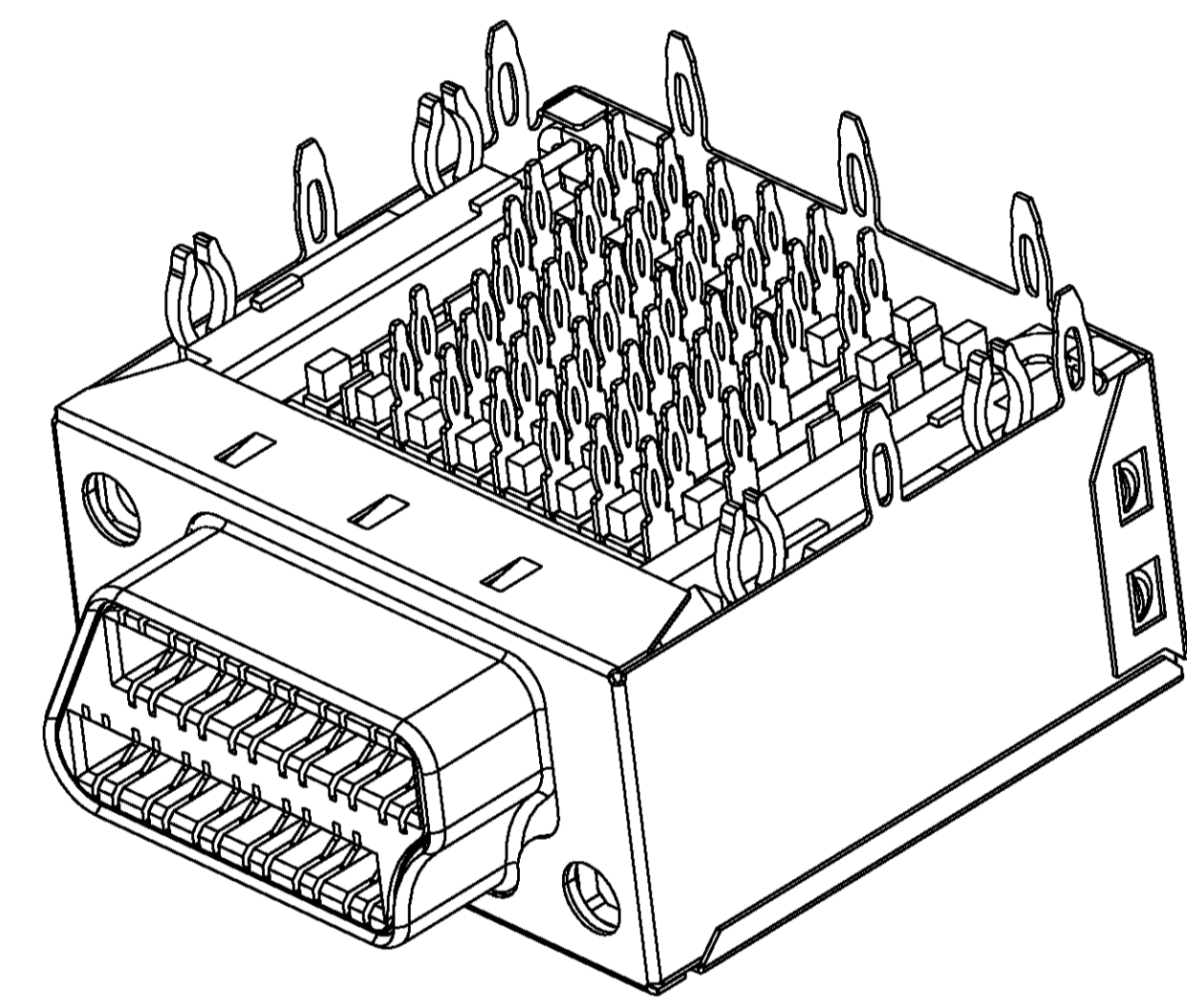
DIMENSIONS:		TOLERANCES UNLESS OTHERWISE SPECIFIED:		DRN: B. GRZYBOWSKI 14DEC2004		CHK: D. A. FAROLE 14DEC2004		APVD: D. A. FAROLE 14DEC2004		NAME: ASSEMBLY, RECEPTACLE, 48 POSITION, MRJ21	
mm	0 PLC ±0.13	1 PLC ±0.10	2 PLC ±0.10	3 PLC ±N/A	4 PLC ±N/A	5 PLC ±N/A	6 PLC ±N/A	7 PLC ±N/A	8 PLC ±N/A	9 PLC ±N/A	RESTRICTED TO
MATERIAL		FINISH		WEIGHT		SIZE		CAGE CODE		DRAWING NO	
						A		00779		C=1761482	
CUSTOMER DRAWING				SCALE		SHEET		OF		REV	
				3:1		1		4		E1	



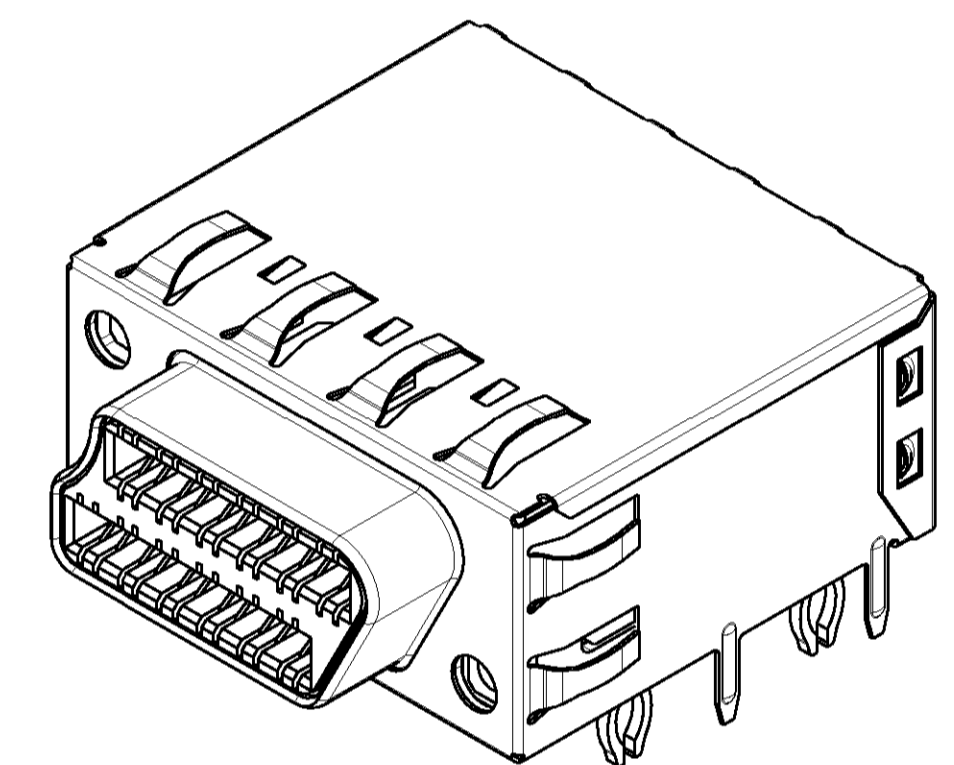
1761482-4 SHOWN
PRESS FIT
SCALE 4:1



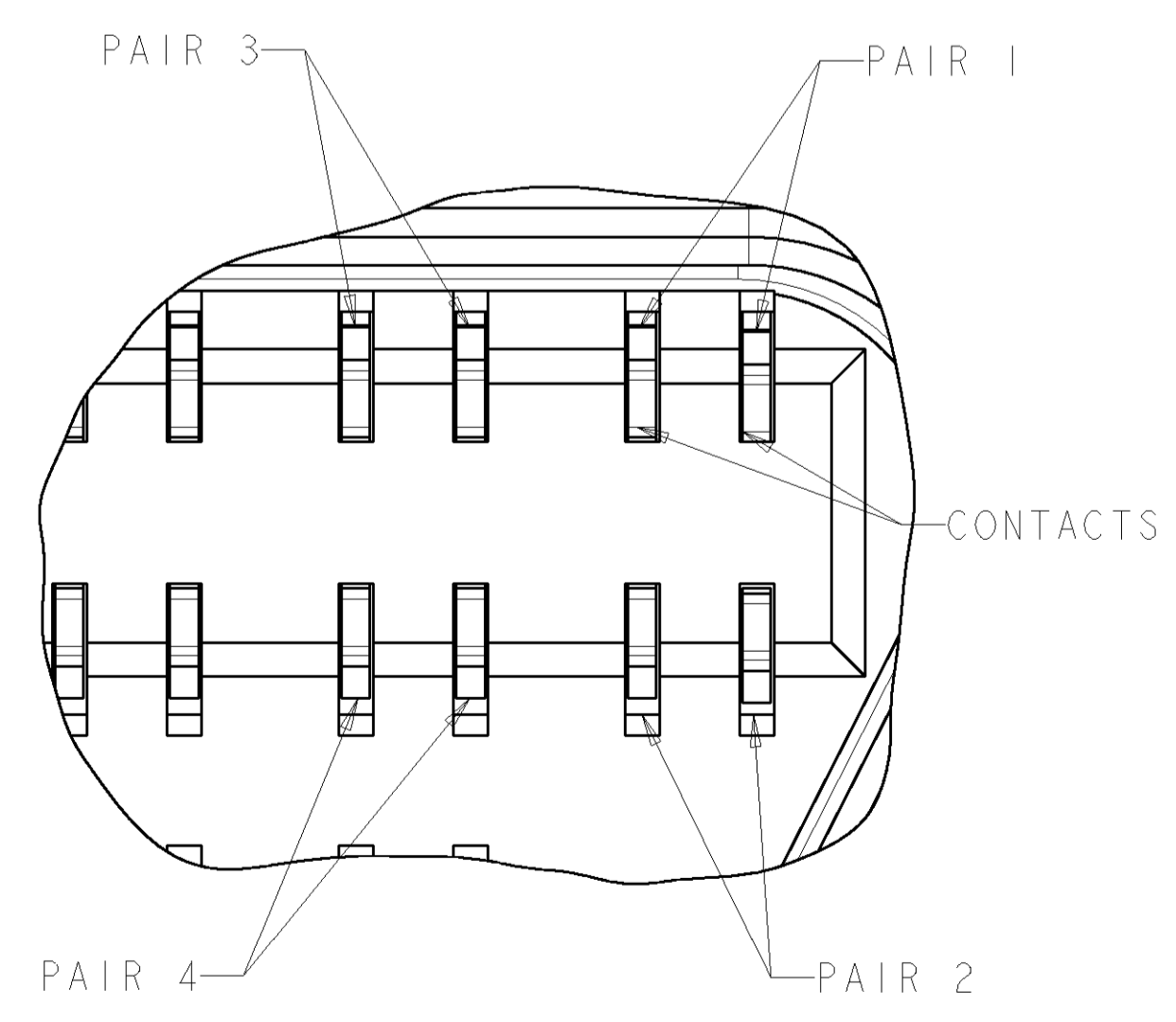
1761482-1 SHOWN
SCALE 3:1



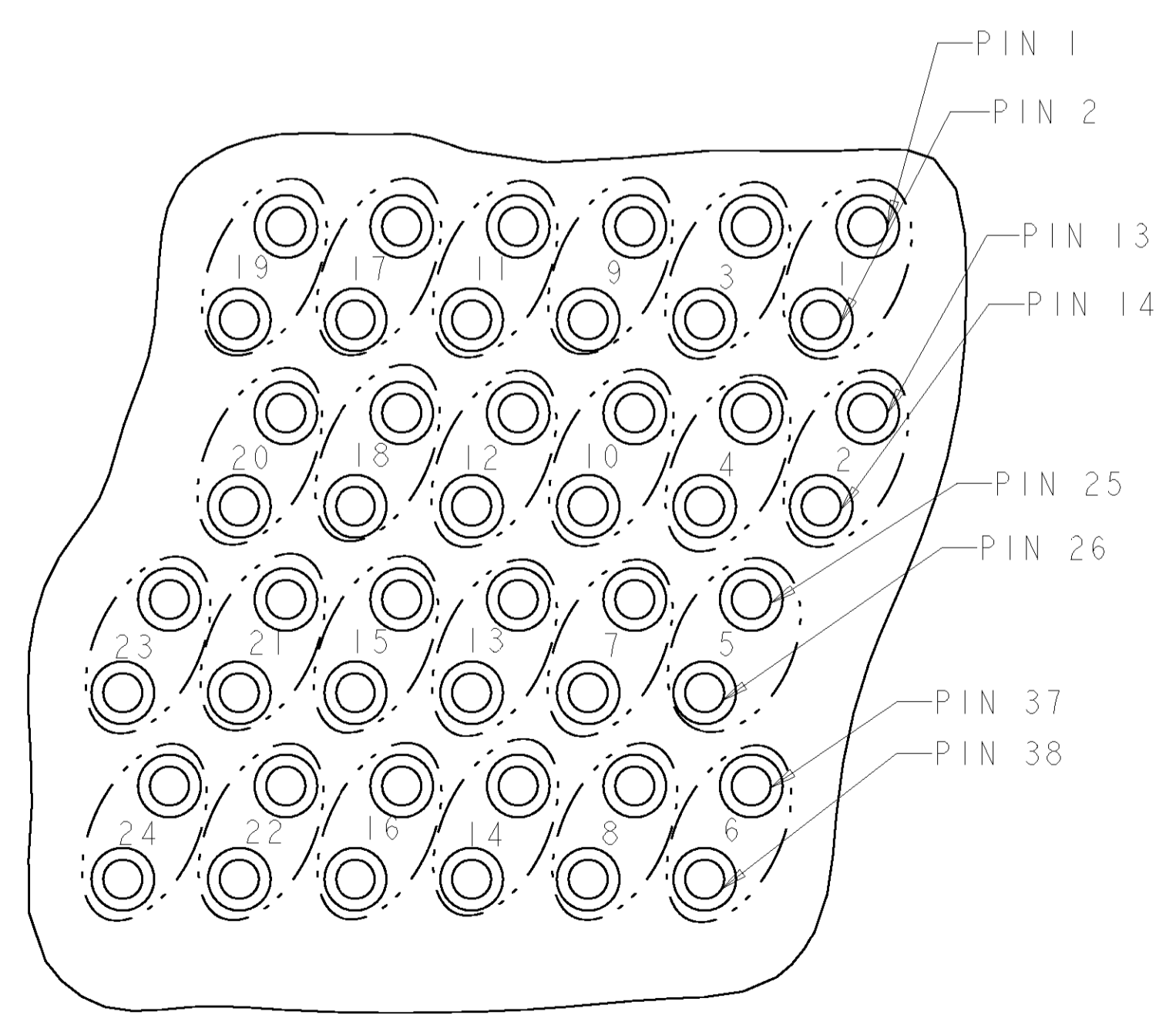
1761482-4
PRESS FIT
BOTTOM VIEW
SCALE 4:1



1761482-2 SHOWN
SCALE 3:1



DETAIL A
SCALE 16:1

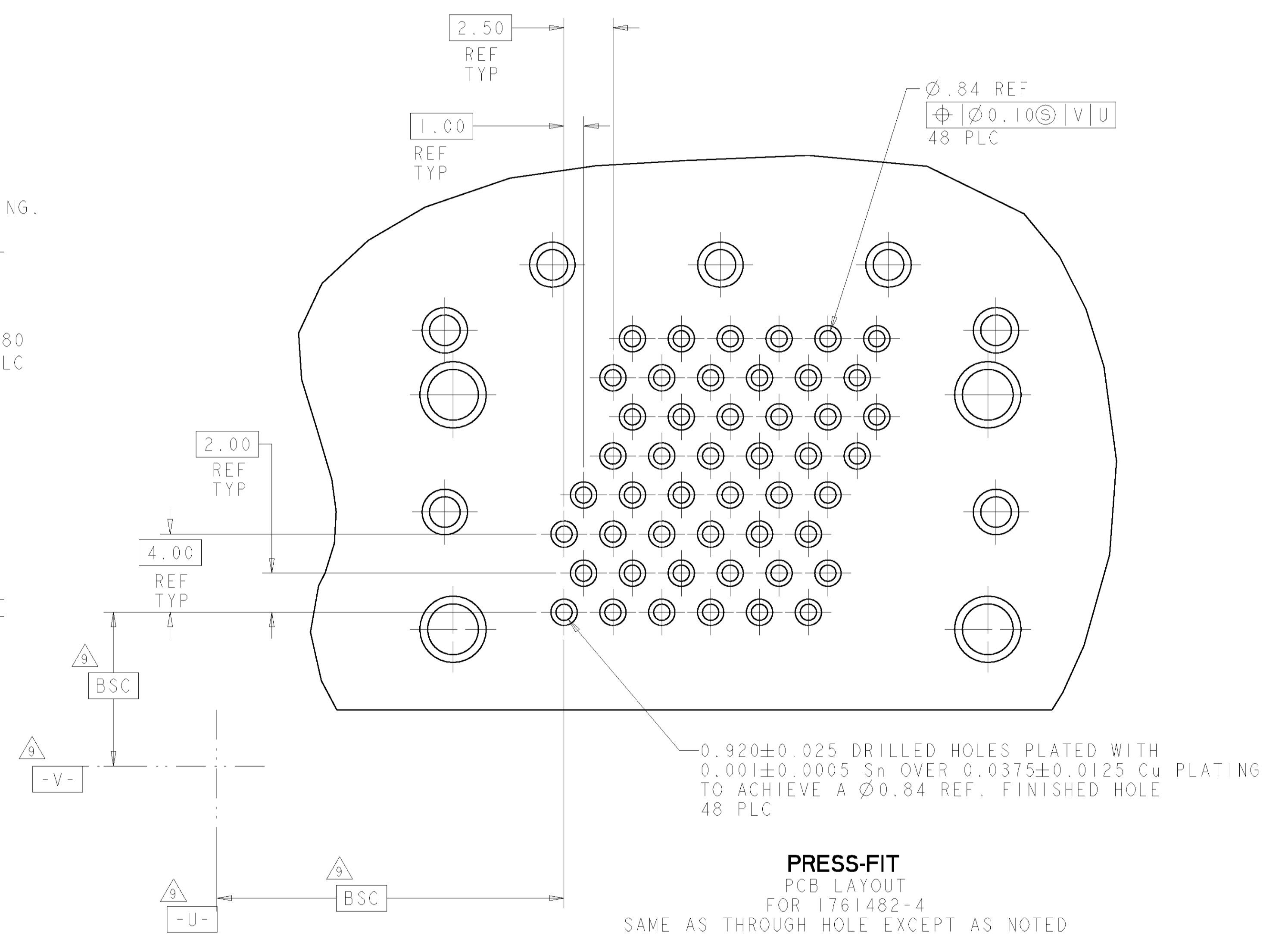
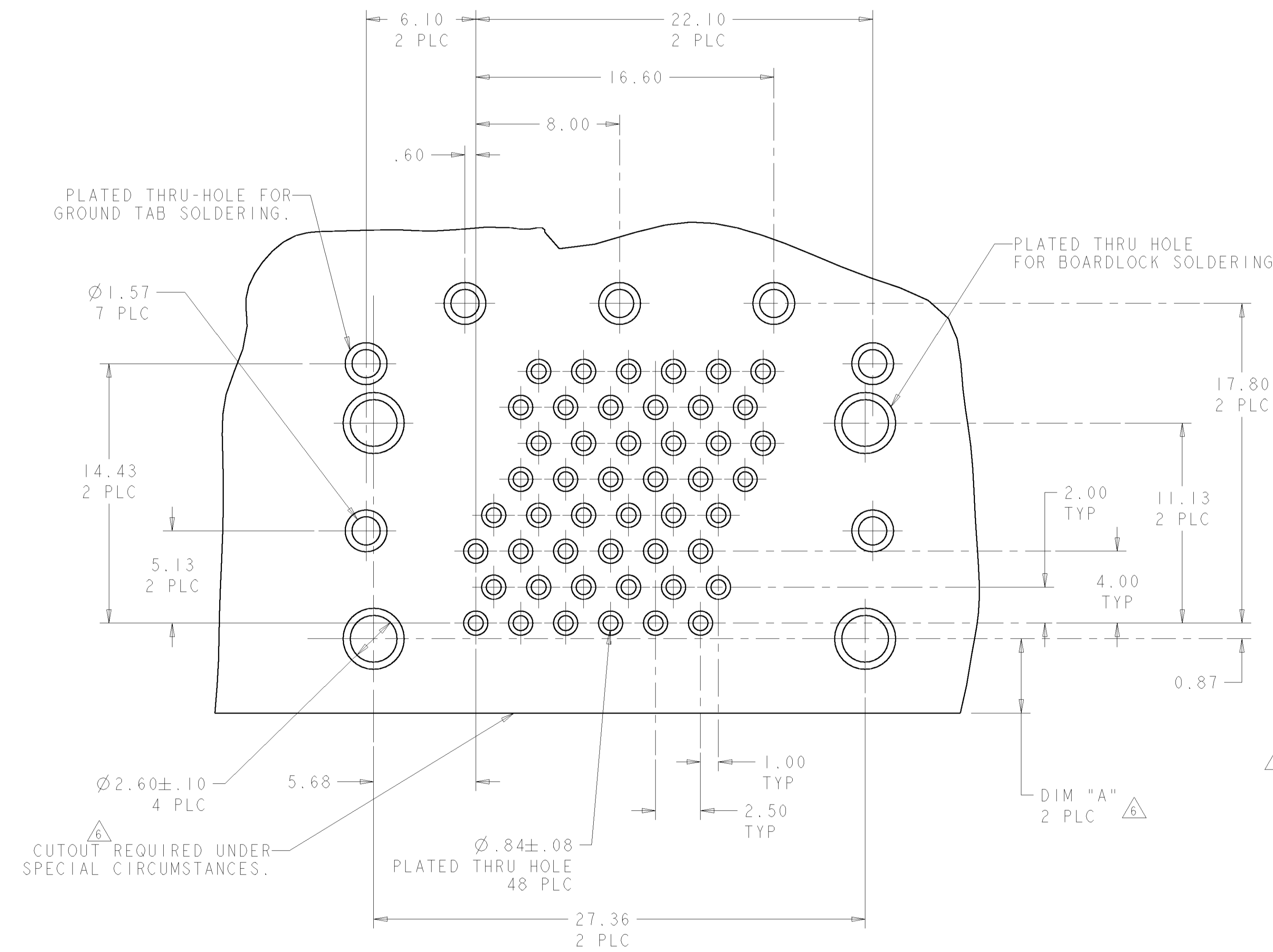


PROPOSED PAIR GROUPING

MODULAR PLUG AND RJ-21 PIN-OUT FOR USE IN 10/100/1000 BASE-T APPLICATIONS

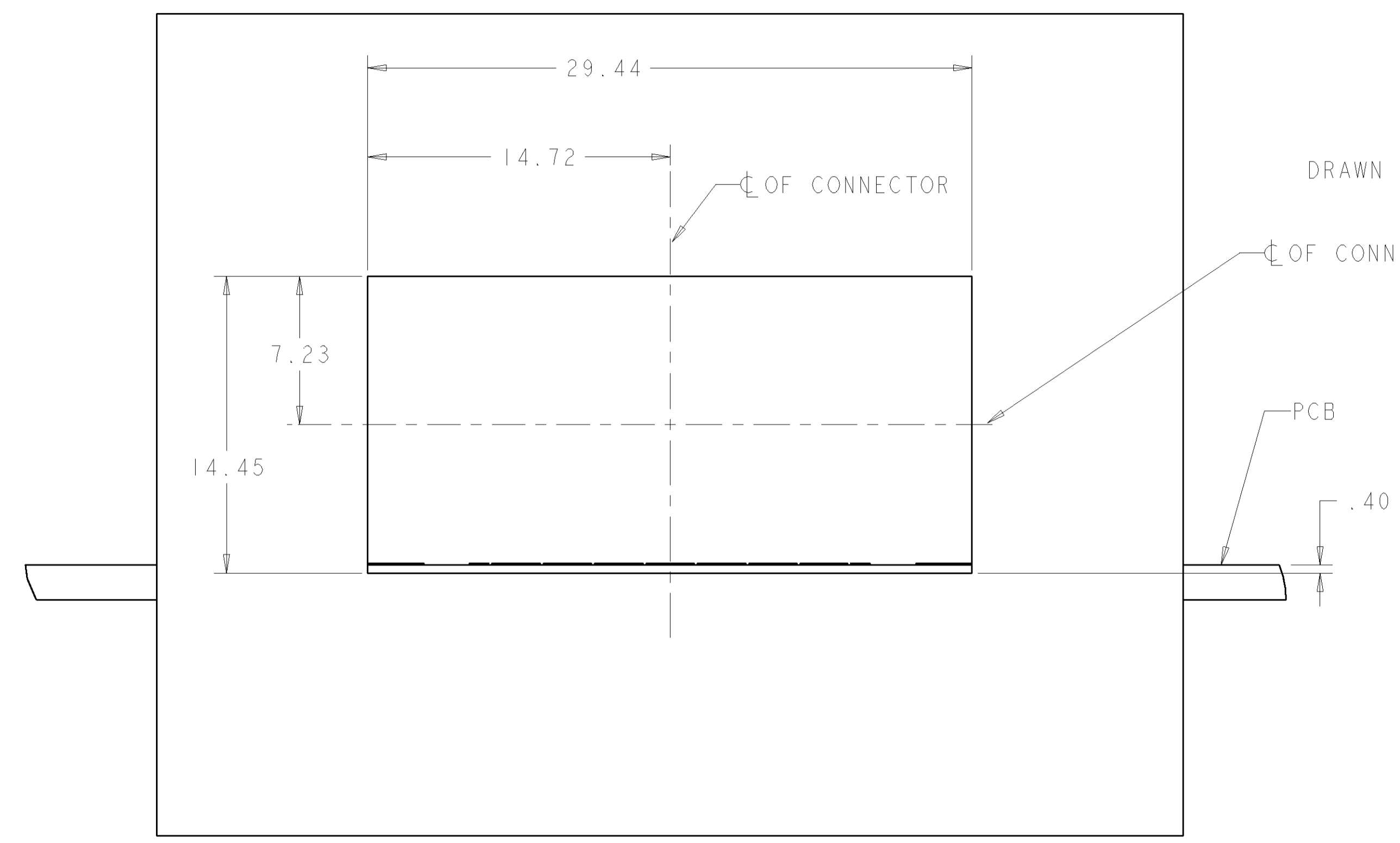
GIG ETHERNET PORT	PLUG POSN.	COLOR	10/100 ETHERNET PORT	PLUG POSN.	COLOR	RJ-21 PIN	MRJ 21 PIN	MRJ 21 PAIR NUM	
1	5	WHT/BLU	1	1	WHT/BLU	26	1	1	
	4	BLU/WHT		2	BLU/WHT	1	2		
	3	WHT/ORG		3	WHT/ORN	27	13	2	
	6	ORG/WHT		6	ORN/WHT	2	14		
	2	1	WHT/GRN	2	1	WHT/GRN	28	3	3
		2	GRN/WHT		2	GRN/WHT	3	4	
		7	WHT/BRN		3	WHT/BRN	29	15	4
		8	BRN/WHT		6	BRN/WHT	4	16	
2	5	WHT/GRY	3	1	WHT/GRY	30	25	5	
	4	GRY/WHT		2	GRY/WHT	5	26		
	3	RED/BLU		3	RED/BLU	31	37		6
	6	BLU/RED	6	BLU/RED	6	38			
	4	1	RED/ORG	4	1	RED/ORN	32	27	
		2	ORG/RED		2	ORN/RED	7	28	
7		RED/GRN	3		RED/GRN	33	39	8	
8		GRN/RED	6		GRN/RED	8	40		
3	5	RED/BRN	5	1	RED/BRN	34	5	9	
	4	BRN/RED		2	BRN/RED	9	6		
	3	RED/GRY		3	RED/GRAY	35	17		10
	6	GRY/RED	6	GRY/RED	10	18			
	6	1	BLK/BLU	6	1	BLK/BLU	36	7	
		2	BLU/BLK		2	BLU/BLK	11	8	
7		BLK/ORG	3		BLK/ORN	37	19	12	
8		ORG/BLK	6		ORN/BLK	12	20		
4	5	BLK/GRN	7	1	BLK/GRN	38	29	13	
	4	GRN/BLK		2	GRN/BLK	13	30		
	3	BLK/BRN		3	BLK/BRN	39	41		14
	6	BRN/BLK	6	BRN/BLK	14	42			
	8	1	BLK/GRY	8	1	BLK/GRY	40	31	
		2	GRY/BLK		2	GRY/BLK	15	32	
7		YEL/BLU	3		YEL/BLU	41	43	16	
8		BLU/YEL	6		BLU/YEL	16	44		
5	5	YEL/ORG	9	1	YEL/ORN	42	9	17	
	4	ORG/YEL		2	ORN/YEL	17	10		
	3	YEL/GRN		3	YEL/GRN	43	21		18
	6	GRN/YEL	6	GRN/YEL	18	22			
	10	1	YEL/BRN	10	1	YEL/BRN	44	11	
		2	BRN/YEL		2	BRN/YEL	19	12	
7		YEL/GRY	3		YEL/GRY	45	23	20	
8		GRY/YEL	6		GRY/YEL	20	24		
6	5	VIO/BLU	11	1	VIO/BLU	46	33	21	
	4	BLU/VIO		2	BLU/VIO	21	34		
	3	VIO/ORG		3	VIO/ORN	47	45		22
	6	ORG/VIO	6	ORN/VIO	22	46			
	12	1	VIO/GRN	12	1	VIO/GRN	48	35	
		2	GRN/VIO		2	GRN/VIO	23	36	
7		VIO/BRN	3		VIO/BRN	49	47	24	
8		BRN/VIO	6		BRN/VIO	24	48		

DIMENSIONS:		TOLERANCES UNLESS OTHERWISE SPECIFIED:		DRN: R. GRZYBOWSKI 4DEC2004		CHK: D. A. FAROLE 14DEC2004		APVD: D. A. FAROLE 14DEC2004		NAME: ASSEMBLY, RECEPTACLE, 48 POSITION, MRJ21	
mm		0 PLC ±.13		1 PLC ±.10		3 PLC #N/A		4 PLC #N/A		RESTRICTED TO	
MATERIAL:		FINISH:		WEIGHT:		SIZE: CAGE CODE: DRAWING NO:		SCALE: 3:1		SHEET 2 OF 4	
						00779		C=1761482		REV E1	
CUSTOMER DRAWING											

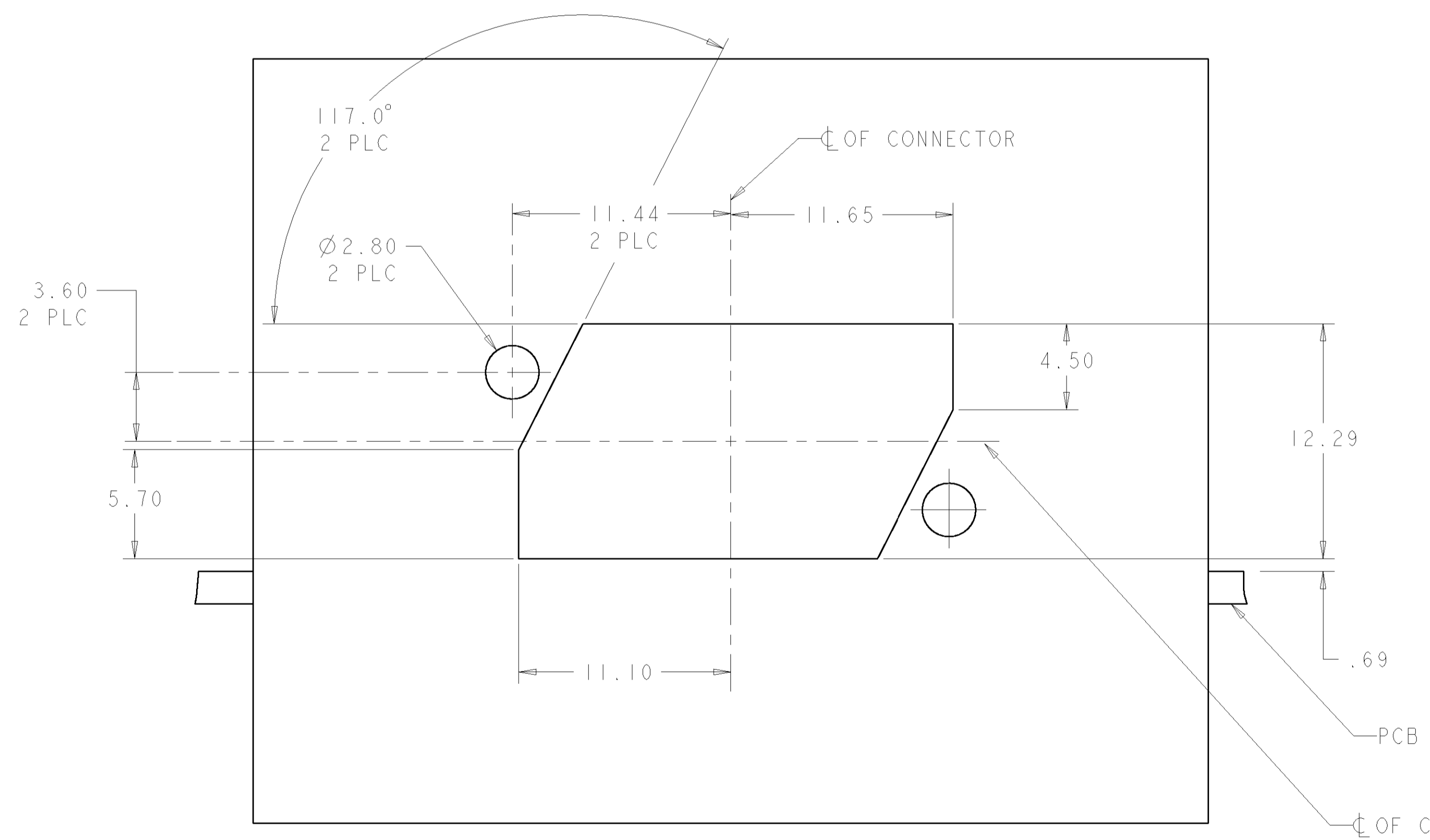
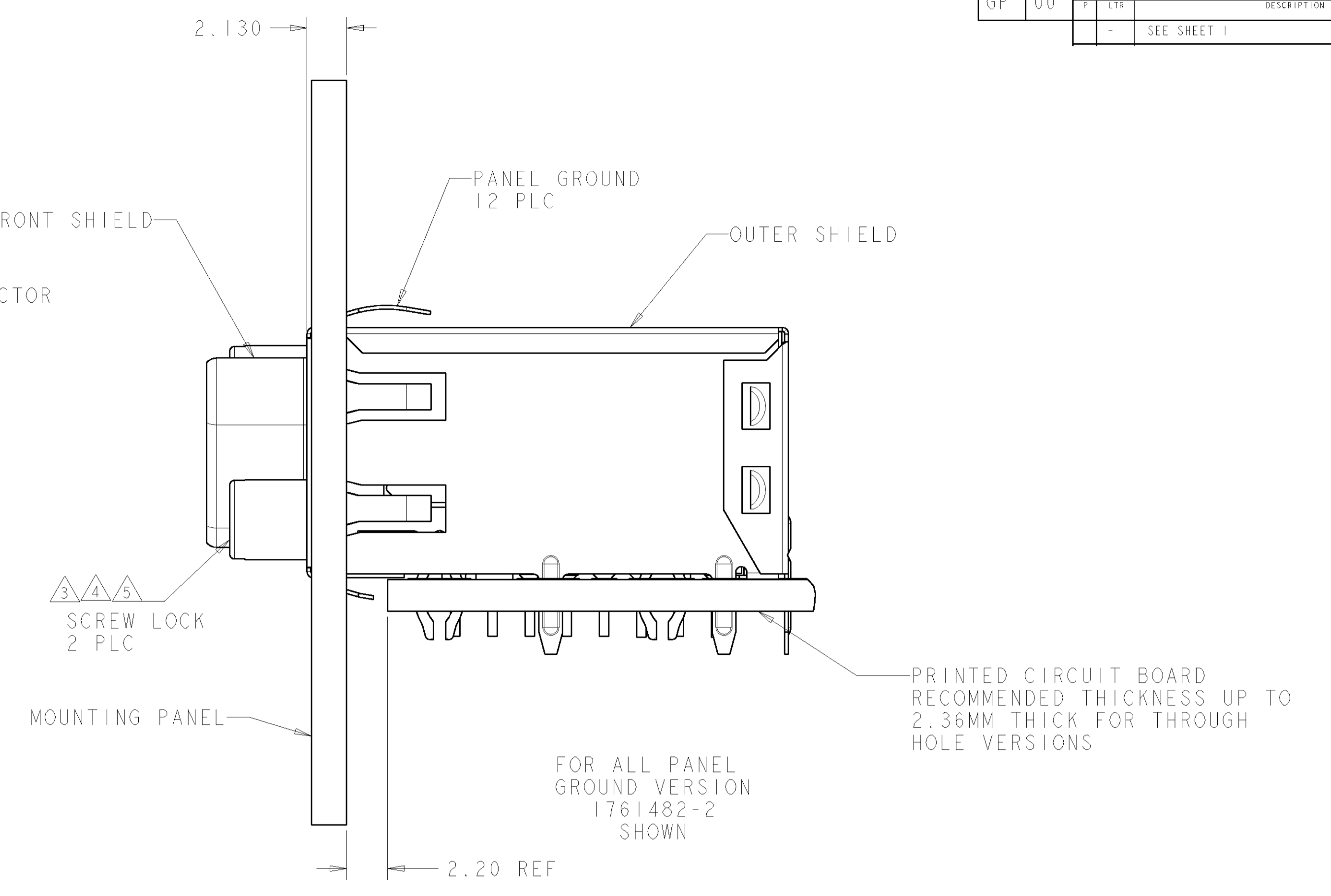


PCB LAYOUT
FOR THROUGH HOLE
COMPONENT SIDE

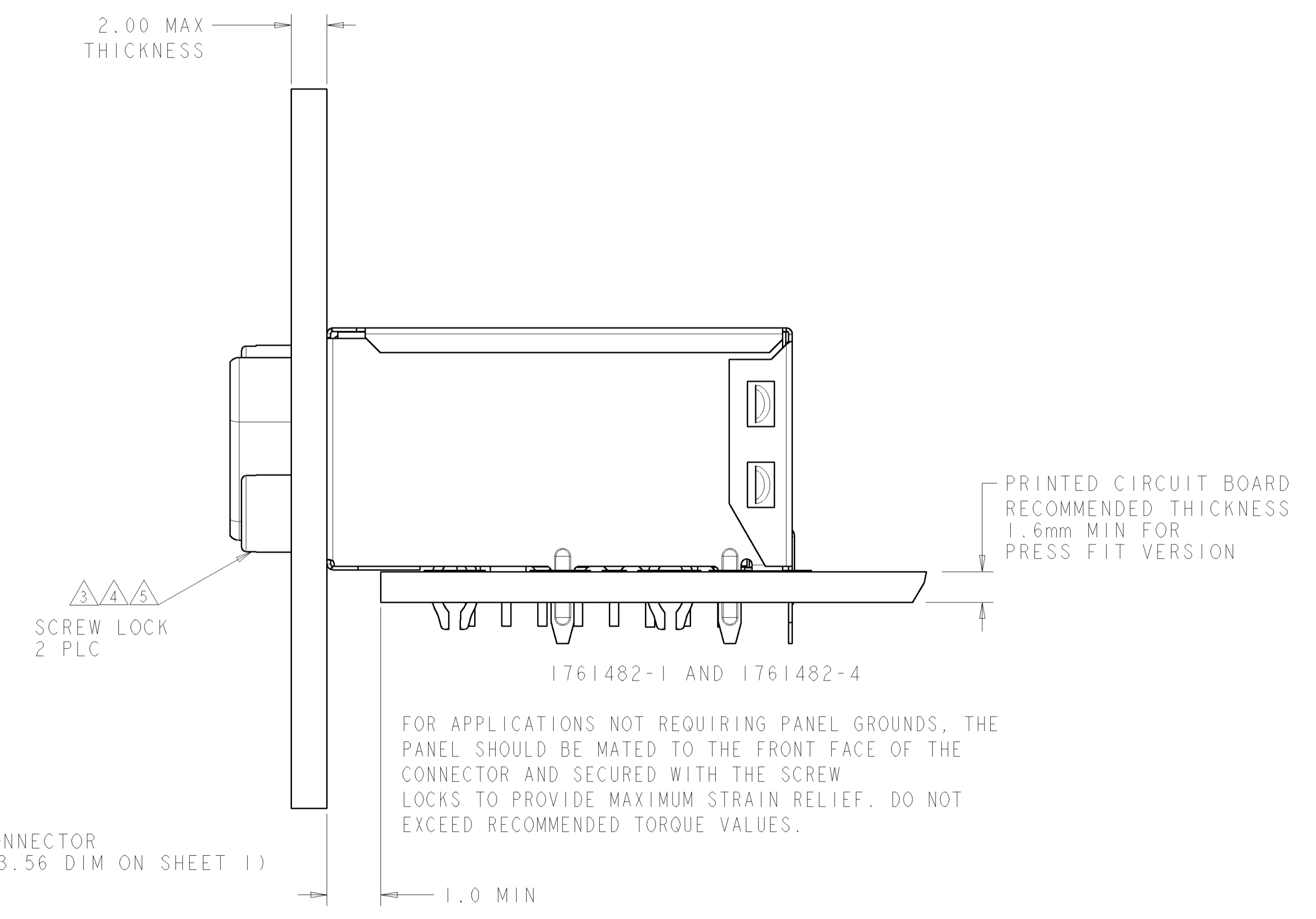
DIMENSIONS:		TOLERANCES UNLESS OTHERWISE SPECIFIED:		DRN B. GRZYBOWSKI CHK D. A. FAROLE APVD D. A. FAROLE		DATE 14DEC2004 14DEC2004		NAME ASSEMBLY, RECEPTACLE, 48 POSITION, MRJ21	
mm	0 PLC ± .13 1 PLC ± 0.10 3 PLC #N/A 4 PLC #N/A ANGLES #N/A	± .13 ± 0.10 #N/A #N/A	± .13 ± 0.10 #N/A #N/A	PRODUCT SPEC 108-2064	APPLICATION SPEC	SIZE A	CAGE CODE 00779	DRAWING NO C=1761482	RESTRICTED TO
MATERIAL	FINISH	WEIGHT	CUSTOMER DRAWING	SCALE 3:1		SHEET 3 OF 4		REV E1	



RECOMMENDED PANEL CUTOUT (WITH PANEL GROUNDS)
SCALE 5:1



RECOMMENDED PANEL CUTOUT (NO PANEL GROUNDS)
SCALE 5:1



DIMENSIONS:		TOLERANCES UNLESS OTHERWISE SPECIFIED:		DRN: B. GRZYBOWSKI 14DEC2004		CHK: D. A. FAROLE 14DEC2004		APVD: D. A. FAROLE 14DEC2004		NAME: ASSEMBLY, RECEPTACLE, 48 POSITION, MRJ21	
mm	0 PLC ±	1 PLC ±0.13	2 PLC ±0.10	3 PLC #N/A	4 PLC #N/A	ANGLES #N/A	FINISH #	PRODUCT SPEC 108-2064	APPLICATION SPEC	SIZE: A	CAGE CODE: 00779
MATERIAL	FINISH	WEIGHT	SCALE: 3:1	DRAWING NO: C=1761482	SHEET: 4	OF: 4	REV: E1	CUSTOMER DRAWING			

单击下面可查看定价，库存，交付和生命周期等信息

[>>TE Connectivity\(泰科\)](#)