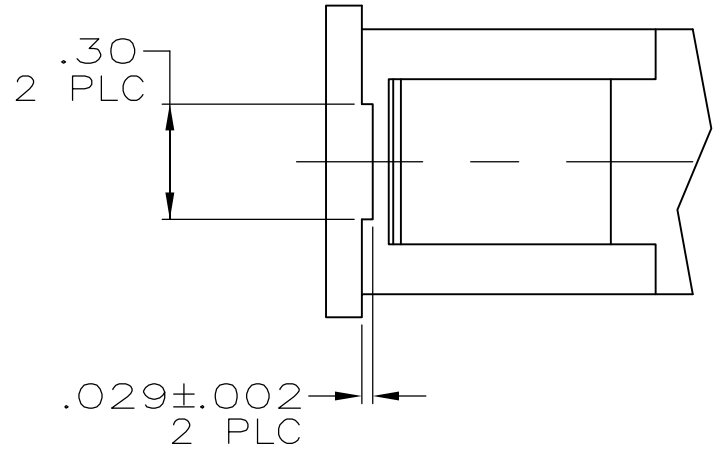


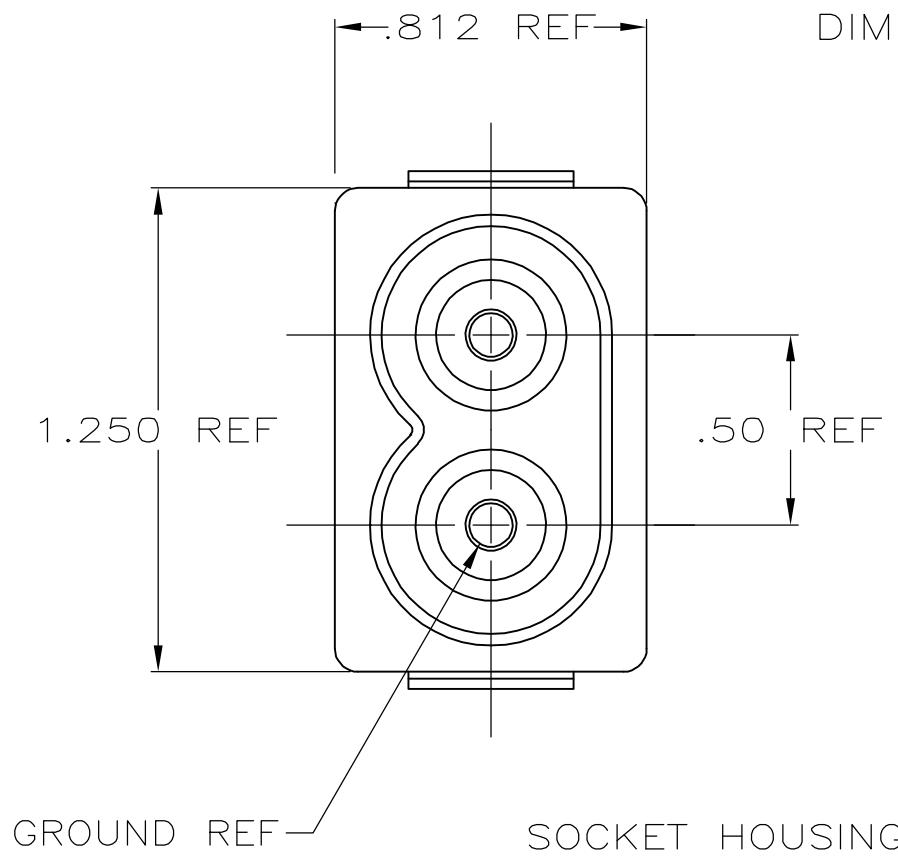
THIS DRAWING IS UNPUBLISHED. RELEASED FOR PUBLICATION - .N/A .  
 © COPYRIGHT N/A BY TYCO ELECTRONICS CORPORATION. ALL RIGHTS RESERVED.

LOC	DIST	REVISIONS					
DF	S0	P	LTR	DESCRIPTION	DATE	DWN	APVD
		M		REV PER ECO-06-025223	31OCT06	PY	DE

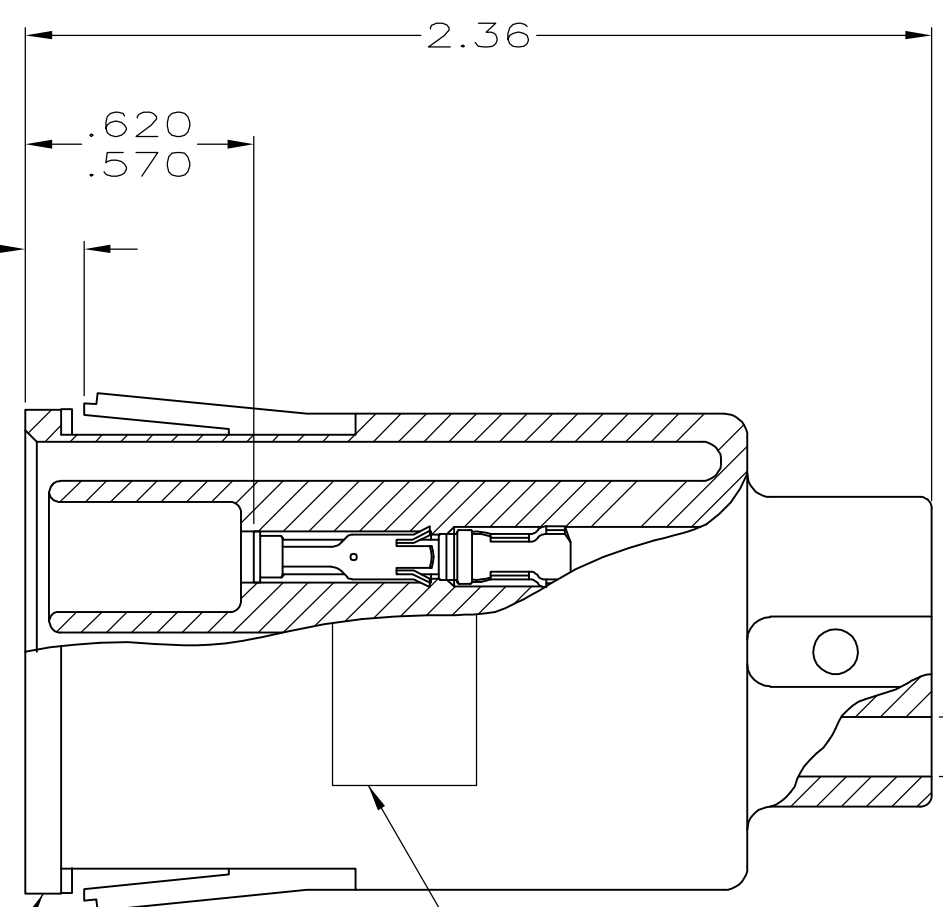
CONTACTS ARE PLATED WITH TIN PER ASTM-B-545 FOR 1-862435-4 & 1-862435-5 ONLY.



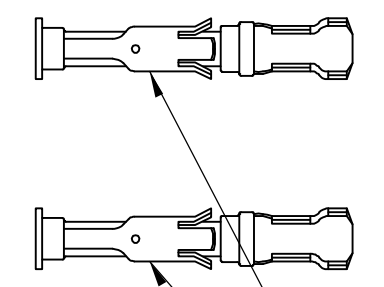
DETAIL T



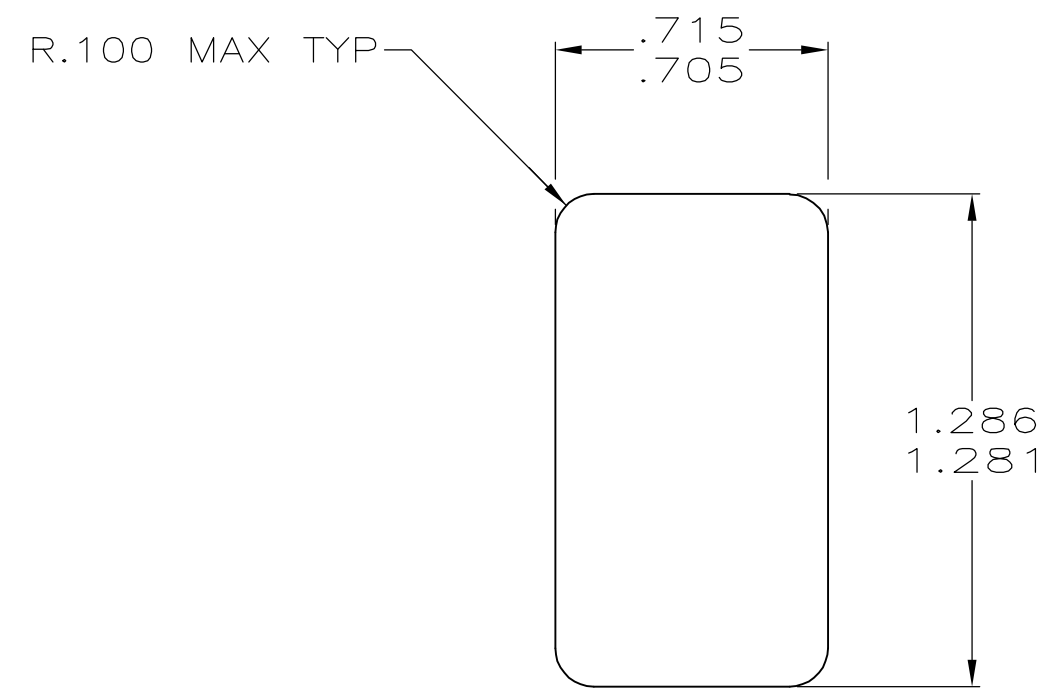
DIM A



AMP PART NO AND DATE CODE MARKED IN THIS AREA



TYPE III & SOCKET



RECOMMENDED PANEL CUTOUT

	90067-2	18-16	.200	.062	1-66101-9	1-862435-5
	90067-2	18-16	.125	.062	1-66101-9	1-862435-4
	90067-2	22-20	.125	.030	66399-1	1-862435-3
OBSOLETE	90067-2	18-16	.125	.030	66101-2	1-862435-2
OBSOLETE	90067-2	22-20	.200	.030	66399-1	1-862435-1
OBSOLETE	90067-2	18-16	.200	.030	66101-2	1-862435-0
OBSOLETE	90067-2	22-20	.125	.090	66399-1	862435-9
	90067-2	18-16	.125	.090	66101-2	862435-8
	90067-2	22-20	.200	.090	66399-1	862435-7
	90067-2	18-16	.200	.090	66101-2	862435-6
	90067-2	18-16	.200	.062	66101-1	862435-5
	90067-2	22-20	.200	.062	66399-1	862435-4
	90067-2	18-16	.200	.062	66101-2	862435-3
	90067-2	22-20	.125	.062	66399-1	862435-2
	90067-2	18-16	.125	.062	66101-2	862435-1
HAND TOOL	WIRE SIZE RANGE (AWG)	INSUL DIA	DIM A	SOCKET NO.	PART NUMBER	

THIS DRAWING IS A CONTROLLED DOCUMENT.

DWN	C.C.THOMAS	15-MAY-03	 Tyco Electronics Corporation Harrisburg, Pa 17105-3608
CHK	D. EABY	15-MAY-03	
APVD	D. EABY	15-MAY-03	
PRODUCT SPEC			
APPLICATION SPEC			NAME
DIMENSIONS: INCHES			SIZE
TOLERANCES UNLESS OTHERWISE SPECIFIED:			CAGE CODE
0 PLC ± -			DRAWING NO
1 PLC ± -			RESTRICTED TO
2 PLC ± .02			2 CAVITY RECEPTACLE KIT LGH
3 PLC ± .005			SCALE
4 PLC ± -			A2 00779 C=862435
ANGLES ± -			SHEET 1 OF 1
FINISH			REV M
MATERIAL			CUSTOMER DRAWING
			SCALE 2:1

单击下面可查看定价，库存，交付和生命周期等信息

[>>TE Connectivity\(泰科\)](#)