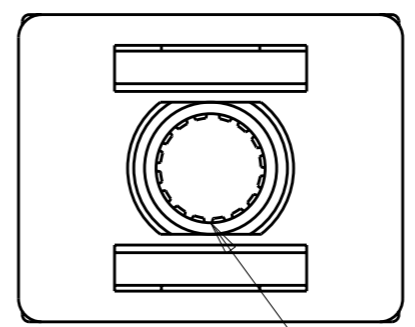
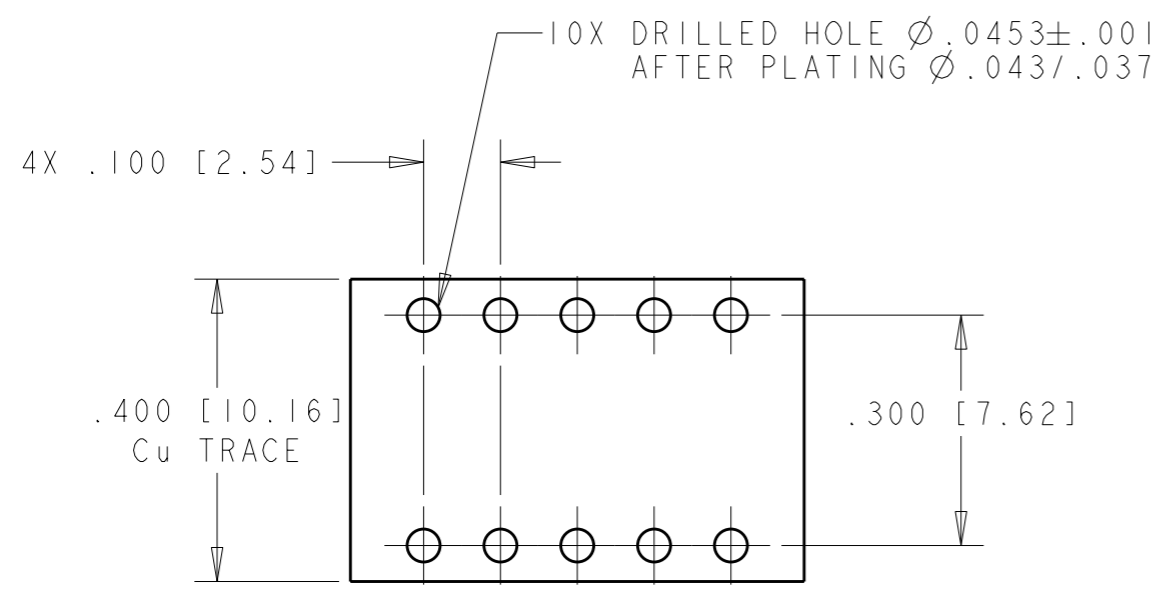


THIS DRAWING IS UNPUBLISHED. RELEASED FOR PUBLICATION 20
 © COPYRIGHT 20 BY TYCO ELECTRONICS CORPORATION. ALL RIGHTS RESERVED.

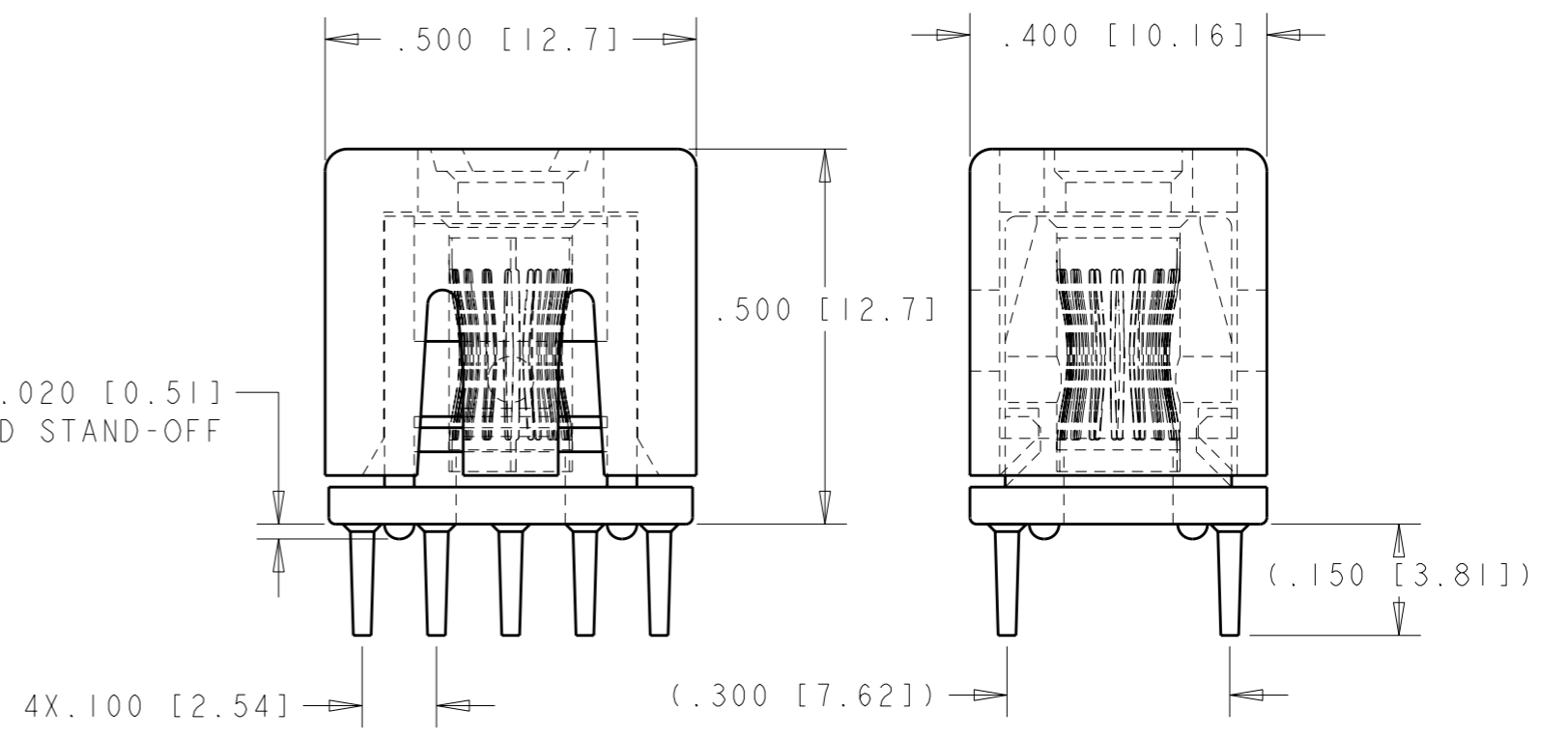
LOC	DIST	REVISIONS			
P	LTR	DESCRIPTION	DATE	DWN	APVD
GP	00	A	INITIAL RELEASE	27NOV2006	GIP DO



RECOMMENDED FOOTPRINT

- PART NUMBER CHANGES AND/OR DESIGN CHANGES AFFECTING ITEM INTERCHANGEABILITY REQUIRE PRIOR TYCO APPROVAL AND AUTHORIZATION BY REVISION TO THIS DRAWING.
- ITEM PROVIDED TO THIS SPECIFICATION SHALL BE IDENTIFIED ON CONTAINER WITH THE FOLLOWING INFORMATION, PART NUMBER AND DATE CODE OF MANUFACTURE.
- MATERIAL:
 INSULATOR - POLYESTER, GLASS FILLED, UL 94 V-0
 RATED COLOR: BLACK
 MODULE: ZINC ALLOY
 CROWN: BeCu
- FINISH:
 MODULE-SILVER .0002 MIN THK OVER NICKEL .00005 MIN THK OVER COPPER .00001 MIN THK.
 CROWN- GOLD IN CONTACT AREA .00003 MIN THK. OVER NICKEL .00005 MIN THK.

5 .020 [0.51]
BOARD STAND-OFF



5 A FIVE POUND (5lb) FORCE REQUIRED TO CORRECTLY SEAT THE CONNECTOR WITH THE PLATED THRU HOLES LESS THAN $\phi .040$ INCH.

6. REFERENCE TYCO ASSEMBLY PART NUMBER 1643219-1.

NOTES: UNLESS OTHERWISE SPECIFIED

1643219-1
PART NUMBER

THIS DRAWING IS A CONTROLLED DOCUMENT FOR TYCO ELECTRONICS CORPORATION IT IS SUBJECT TO CHANGE AND THE CONTROLLING ENGINEERING ORGANIZATION SHOULD BE CONTACTED FOR THE LATEST REVISION.		DWN G.PETERS 27NOV2006	Tyco Electronics Harrisburg, PA 17105-3608		
DIMENSIONS: INCH [mm]		CHK D.ORRIS 27NOV2006			
TOLERANCES UNLESS OTHERWISE SPECIFIED:		APVD S.FLICKINGER 27NOV2006	NAME IC CON SOCKET, PERPENDICULAR 2 X 5, WITH THRU HOLE		
0 PLC ±- 1 PLC ±- 2 PLC ±.01 [.3] 3 PLC ±.006 [.15] 4 PLC ±- ANGLES ±.5		PRODUCT SPEC -	RESTRICTED TO -		
MATERIAL SEE LIST		APPLICATION SPEC -	SIZE A3	CAGE CODE 00779	DRAWING NO C-1643219
FINISH -		WEIGHT -	CUSTOMER DRAWING		
		SCALE	SHEET	OF	REV A

ELCON IC CON

单击下面可查看定价，库存，交付和生命周期等信息

[>>TE Connectivity\(泰科\)](#)