

4 3 2 1

THIS DRAWING IS UNPUBLISHED. RELEASED FOR PUBLICATION  
 © COPYRIGHT 2011 TYCO ELECTRONICS CORPORATION ALL RIGHTS RESERVED.

REVISIONS				
P	LTR	DESCRIPTION	DATE	APVD
	N4	REVISED PER ECR-18-009184	13JUN2018	D.Z S.L

NOTE :

- MATERIAL  
 HOUSING : THERMOPLASTIC, LCP  
 UL 94V-0, BLACK COLOR  
 CONTACT : COPPER ALLOY  
 LATCH : STEEL
- FINISH  
 CONTACT : 0.25um MIN. GOLD PLATED IN CONTACT AREA,  
 GOLD FLASH PALTING ON SOLDER TAIL AREA, WITH  
 1.27um MIN. NICKEL UNDERPLATING ALL OVER.  
 LATCH : 2.54um MIN. MATTE TIN PLATING(SEE TABLE) OVER  
 0.76um MIN. NICKEL PLATING.
- CARD THICKNESS APPLIES ACROSS TABS AND INCLUDES PLATING  
 AND/OR METALIZATION
- APPLICATION  
 GOLD CONTACT PAD : ELECTROLESS GOLD PLATING 0.05um MIN  
 OVER ELECTROLESS NICKEL PLATING 2um MIN
- BORDER OF COMPONENT AREA
- WEIGHT  
 SEE PACKAGE TYPE

SMALL TRAY	W/O	TRANSPARENT	440360-5
TRAY	W/O	WHITE	440360-4
TRAY	W/O	TRANSPARENT	440360-2
PACKING	HOLE	PACK COLOR	PART NUMBER

THIS DRAWING IS A CONTROLLED DOCUMENT.		DWN -	TE Connectivity Ltd.	
DIMENSIONS: mm		CHK W. KODAMA	11MAR2008	
TOLERANCES UNLESS OTHERWISE SPECIFIED:		APVD W. KODAMA	NAME	
0 PLC ± -		PRODUCT SPEC	0.8mm PITCH FAX MODEM	
1 PLC ± 0.15		APPLICATION SPEC	SOCKET, 124 POSITIONS	
2 PLC ± 0.10		WEIGHT	SIZE	CAGE CODE
3 PLC ± 0.05		5.75g	A3	00779
4 PLC ± -		CUSTOMER DRAWING	DRAWING NO	RESTRICTED TO
ANGLES ± 3'		SCALE -	440360	1 of 7
MATERIAL SEE NOTE	FINISH -	SHEET	REV	N4

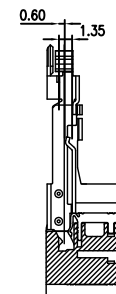
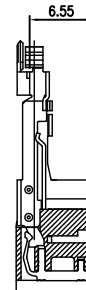
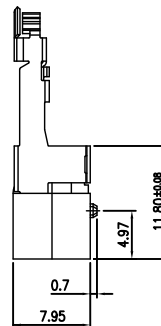
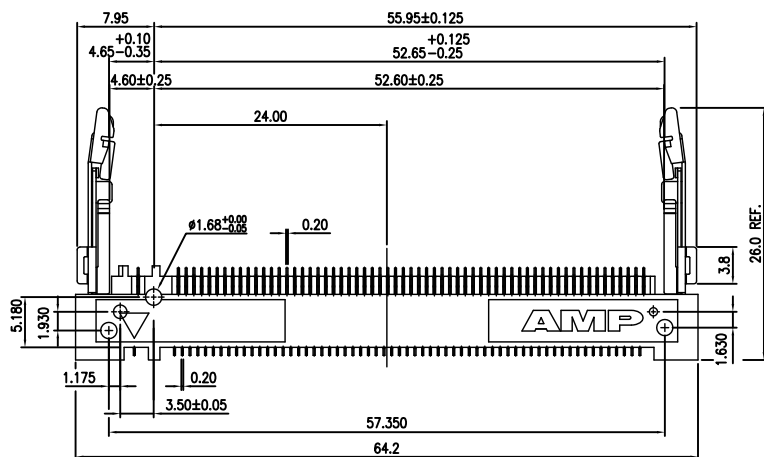
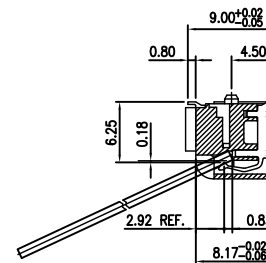
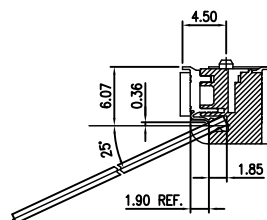
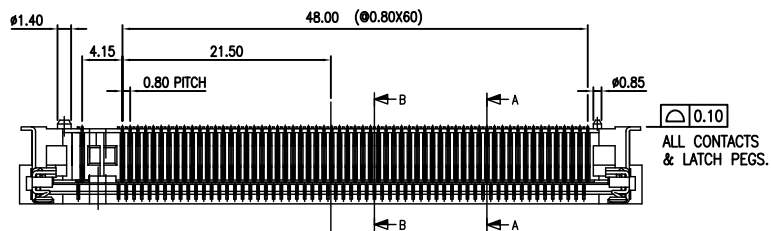
1470-19 (1/15)

Downloaded From Oneyac.com

THIS DRAWING IS UNPUBLISHED. RELEASED FOR PUBLICATION  
 ALL RIGHTS RESERVED.  
 © COPYRIGHT 2011 TYCO ELECTRONICS CORPORATION

REVISIONS

P	LTR	DESCRIPTION	DATE	DWN	APVD
-	-	SEE SHEET 1	-	-	-



D

D

C

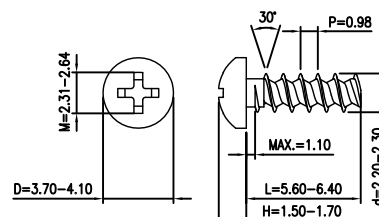
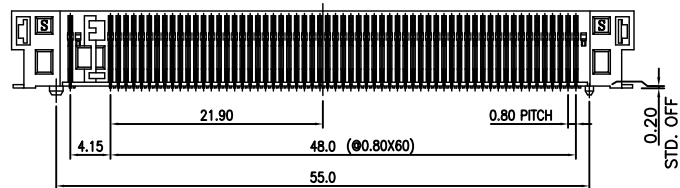
C

B

B

A

A

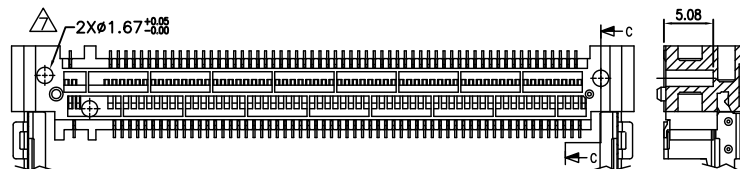


SCALE 4:1

M2.2X6 PT30  
 RECOMMENDED SCREW

NOTE:  
 ⚠ SCREW LOCATION AS APPLICABLE PER CUSTOMER.  
 ⚠ RECOMMENDED SCREW :  
 M2.2 X 6, PT 30 OR EQUIVALENT SCREW FOR THERMOPLASTIC.  
 9 TORQUE SCREWS TO 38-48 OZF-IN.

OBSOLETE	TRAY	W/	WHITE	1-440360-4
			TRANSPARENT	1-440360-2
	PACKING	HOLE	PACK COLOR	PART NUMBER



THIS DRAWING IS A CONTROLLED DOCUMENT.

DIMENSIONS:	TOLERANCES UNLESS OTHERWISE SPECIFIED:
mm	
0 PLC	± .
1 PLC	± 0.15
2 PLC	± 0.10
3 PLC	± 0.05
4 PLC	± .
ANGLES	± 3'

MATERIAL: SEE NOTE  
 FINISH: -

DWN	-
CHK	-
APVD	-
PRODUCT SPEC	-
APPLICATION SPEC	-
WEIGHT	-
CUSTOMER DRAWING	-

**STE** TE Connectivity Ltd.

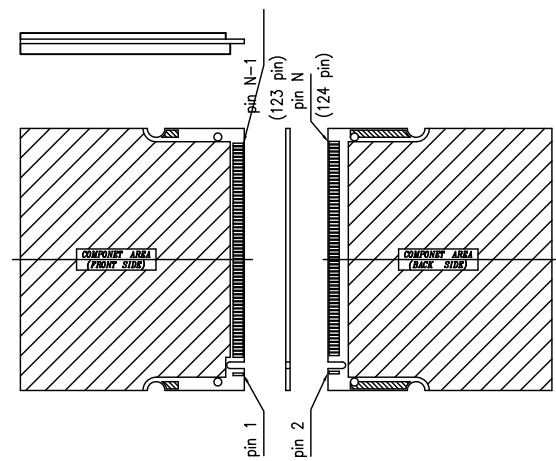
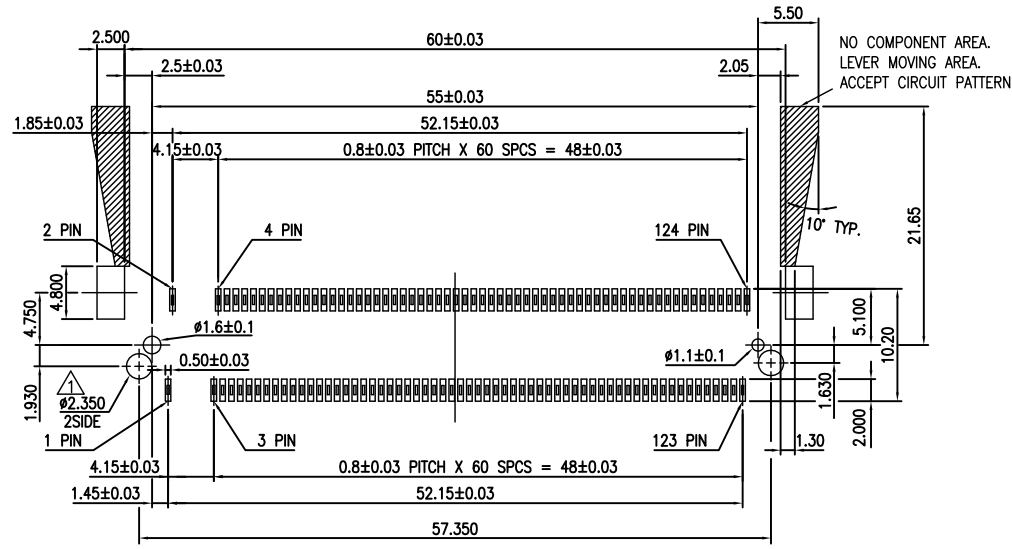
NAME: 0.8mm PITCH FAX MODEM SOCKET, 124 POSITIONS

SIZE	CAGE CODE	DRAWING NO	RESTRICTED TO
A3	00779	C-440360	-

SCALE: - SHEET: 2 OF 7 REV: N4

THIS DRAWING IS UNPUBLISHED. RELEASED FOR PUBLICATION - - - ALL RIGHTS RESERVED. COPYRIGHT 2011 TYCO ELECTRONICS CORPORATION

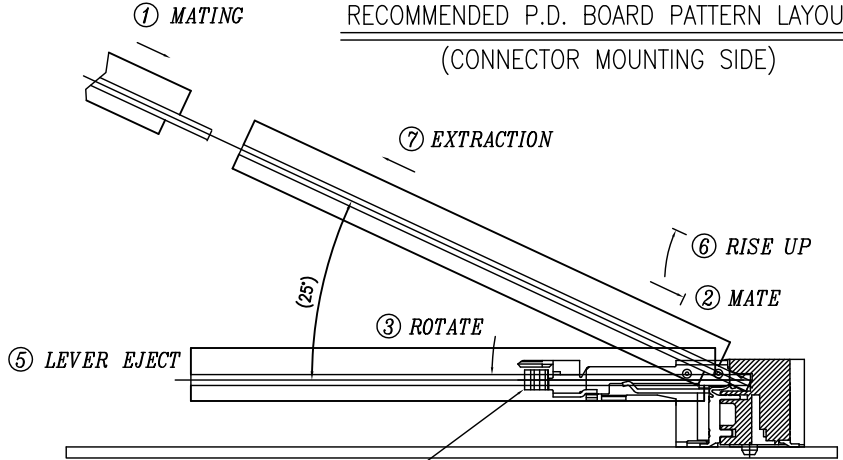
REVISIONS				
P	LTR	DESCRIPTION	DATE	DWN APVD
-	-	SEE SHEET 1	-	-



CIRCUIT POSITION OF S.O.DIMM

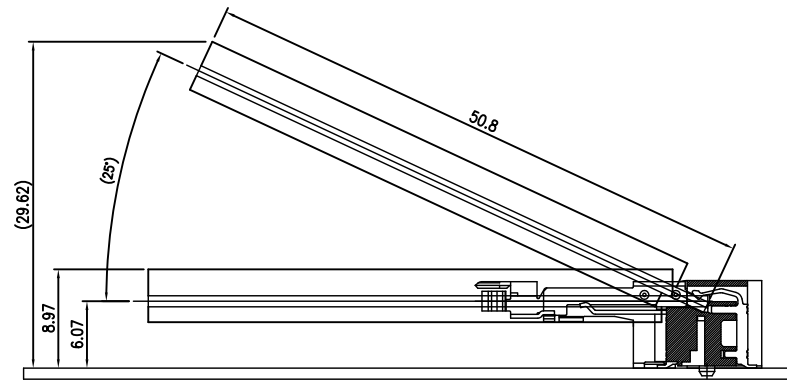
RECOMMENDED P.D. BOARD PATTERN LAYOUT (CONNECTOR MOUNTING SIDE)

NOTE: THE HOLES ARE ONLY FOR P/N : 1-0440360-X.



HOW TO MATE AND UNMATE

MATE: ① ~ ④  
UNMATE: ⑤ ~ ⑦



EJECT HEIGHT

THIS DRAWING IS A CONTROLLED DOCUMENT.		DWN -	TE Connectivity Ltd.	
DIMENSIONS: mm		CHK -	NAME	
TOLERANCES UNLESS OTHERWISE SPECIFIED:		APVD -	0.8mm PITCH FAX MODEM SOCKET, 124 POSITIONS	
0 PLC	±-	PRODUCT SPEC	SIZE	CAGE CODE
1 PLC	±-	APPLICATION SPEC	A3	00779
2 PLC	±-	WEIGHT	DRAWING NO	
3 PLC	±-	CUSTOMER DRAWING	C-440360	
4 PLC	±-	SCALE	RESTRICTED TO	
ANGLES	±-	SHEET	3 of 7	
MATERIAL	FINISH	REV	N4	

4 3 2 1

THIS DRAWING IS UNPUBLISHED. RELEASED FOR PUBLICATION

© COPYRIGHT 2011 TYCO ELECTRONICS CORPORATION

ALL RIGHTS RESERVED.

REVISIONS

P	LTR	DESCRIPTION	DATE	DWN	APVD
-	-	SEE SHEET 1	-	-	-

COMPONENT AREA (FRONT SIDE)

Dimensions:  $\phi 0.10$  C B A, D, D2, D5,  $\phi$  of D, A, A2, A1, B, (3.75), 4.15, e1, Pin 1, Pin N-1 (123 Pin), 2- $\phi 1.8$  OPTIONAL HOLES,  $\phi 0.10$  C B A $\phi$

Dimensions: 2.4Max, 1.4Max, 1.00  $\pm$  0.10,  $-0.15$  C

Detail : Z (FRONT SIDE)

Dimensions: (DATUM A), FULL R, 1.8Min, 3.2Min, 4.20Min, 4.00  $\pm$  0.10, 1.50  $\pm$  0.10, A

Detail : V (BACK SIDE)

Dimensions: (DATUM A), 4.6Min

Detail : W (FRONT SIDE)

Detail : X (BACK SIDE)

Dimensions: 2-5.00  $\pm$  0.05, 2-R3Min, 2-0.38Max, 2-2.00  $\pm$  0.05, 2-0.38Max, 2-14.9  $\pm$  0.05, 2-R3Min

Detail : Y (BACK SIDE)

Dimensions: 0.8, 0.25Max, 2.55  $\pm$  0.05, 0.60  $\pm$  0.05,  $\phi 0.10$  C B A $\phi$ ,  $\phi 0.05$  C

COMPONENT AREA (BACK SIDE)

Dimensions: (4.15), (4.15), (DATUM A), e1, Pin N (124 Pin), Pin 2, FULL R, 4.00  $\pm$  0.10,  $\phi 0.10$  C B A $\phi$

THIS DRAWING IS A CONTROLLED DOCUMENT.		DWN	-	TE Connectivity Ltd.	
		CHK	-		
DIMENSIONS: mm		APVD	-	NAME	
		PRODUCT SPEC		0.8mm PITCH FAX MODEM SOCKET, 124 POSITIONS	
		APPLICATION SPEC			
MATERIAL		WEIGHT		SIZE	RESTRICTED TO
FINISH				A300779	-
		CUSTOMER DRAWING		CAGE CODE	DRAWING NO
				C440360	440360
		SCALE	-	SHEET	4 OF 7
				REV	N4

1470-19 (1/15)

Downloaded From Oneyac.com

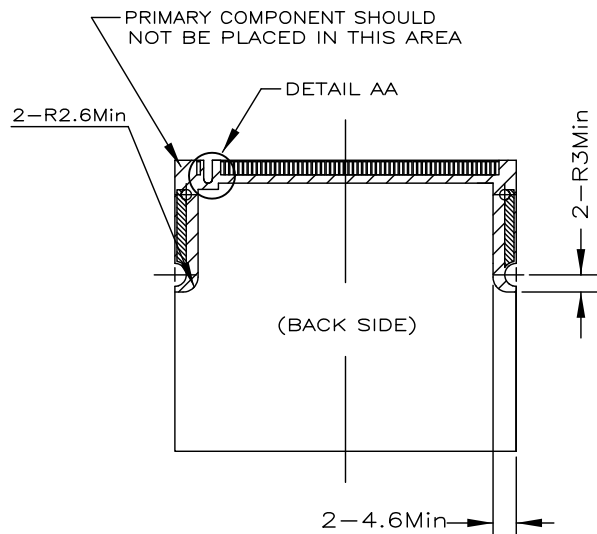
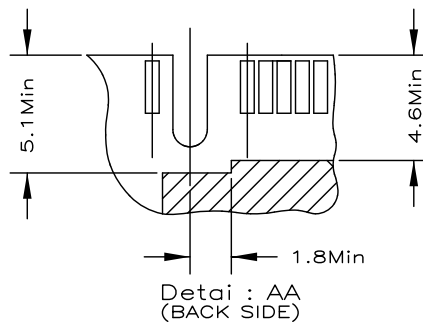
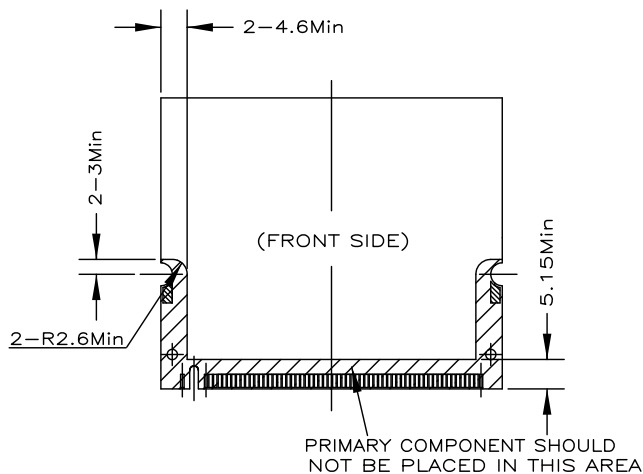
THIS DRAWING IS UNPUBLISHED. RELEASED FOR PUBLICATION

© COPYRIGHT 2011 TYCO ELECTRONICS CORPORATION

ALL RIGHTS RESERVED.

REVISIONS

P	LTR	DESCRIPTION	DATE	DWN	APVD
-	-	SEE SHEET 1	-	-	-



SOYMBOL	VARIATIONS ALL DIMENSIONS IN mm					
	NORMAL HEIGHT 44.45			NORMAL HEIGHT 50.80		
	AA			BA		
	MIN	NOM	MAX	MIN	NOM	MAX
A	44.3	44.45	44.60	50.65	50.80	50.95
A1	6.00	BSC		6.00	BSC	
A2	20.00	BSC		20.00	BSC	
D	59.45	59.6	59.75	59.45	59.6	59.75
D1	1.30	BSC		1.30	BSC	
D2	55.60	BSC		55.60	BSC	
D3	2.05	BSC		2.05	BSC	
D4	1.65	BSC		1.65	BSC	
D5	24.00	BSC		24.00	BSC	
e1	48.00	BSC		48.00	BSC	
N		124			124	

THIS DRAWING IS A CONTROLLED DOCUMENT.

DWN -  
CHK -  
APVD -

TE Connectivity Ltd.

NAME  
0.8mm PITCH FAX MODEM  
SOCKET, 124 POSITIONS

DIMENSIONS: mm	TOLERANCES UNLESS OTHERWISE SPECIFIED: 0 PLC ± 1 PLC ± 2 PLC ± 3 PLC ± 4 PLC ± ANGLES ±-	PRODUCT SPEC -	SIZE A3	CAGE CODE 00779	DRAWING NO 440360	RESTRICTED TO -
MATERIAL -	FINISH -	APPLICATION SPEC -	WEIGHT -	CUSTOMER DRAWING		SCALE -

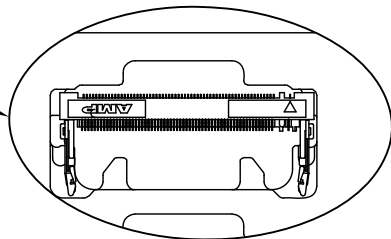
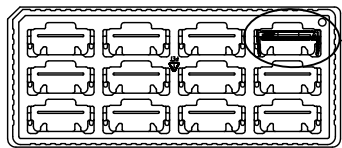
SHEET 5 OF 7 REV N4

THIS DRAWING IS UNPUBLISHED. RELEASED FOR PUBLICATION

© COPYRIGHT 2011 TYCO ELECTRONICS CORPORATION ALL RIGHTS RESERVED.

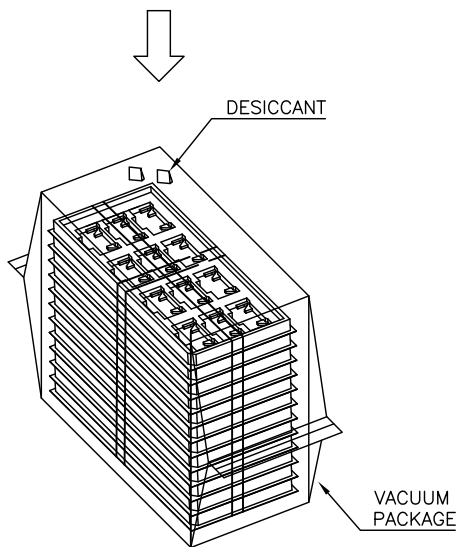
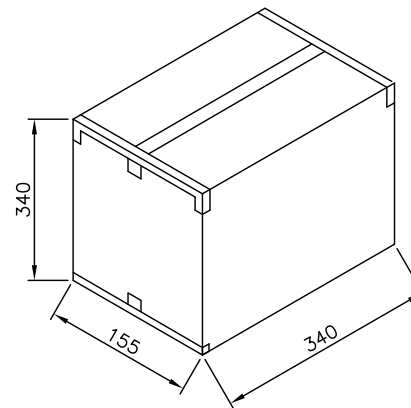
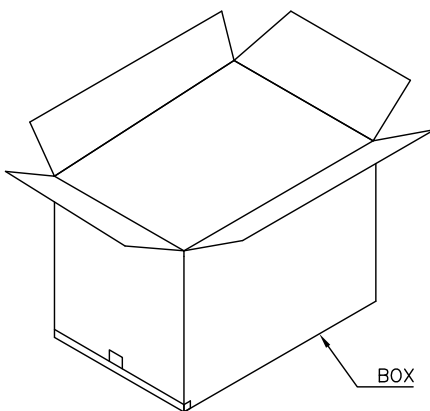
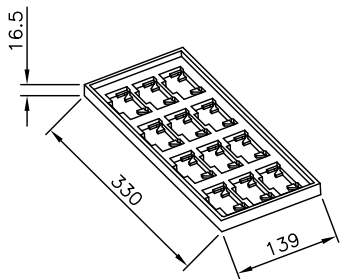
REVISIONS

P	LTR	DESCRIPTION	DATE	DWN	APVD
-	-	SEE SHEET 1	-	-	-



NOTES :

- 1. MATERIAL :  
 TRAY: PET, COLOR: TRANSPARENT.  
 BOX: CORRUGATED FIBER  
 TRANSPARENT BAG: PE, SIZE: 660mm\*600mm\*0.08mm
- 2. EACH BAG SHALL BE INCLUDED:  
 \* DESICCANT



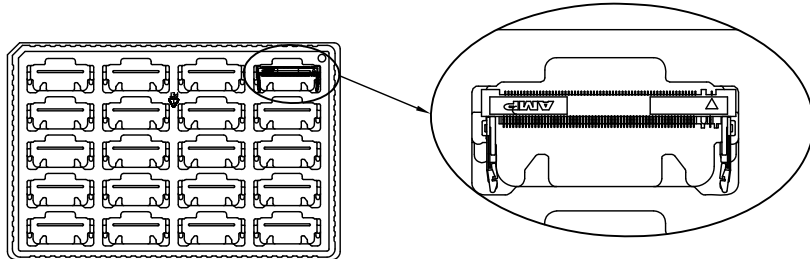
SMALL TRAY

4.2 KG	2.1 KG	12	30	360	440360-5
GROSS WEIGHT	NET WEIGHT	PCS/ TRAY	TRAY/ CARTON	PCS/ BOX	PN

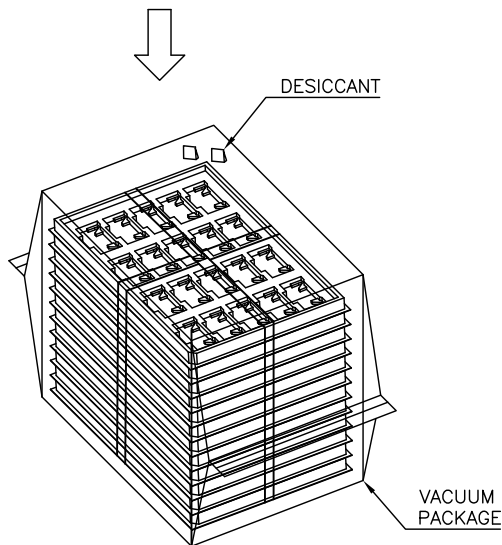
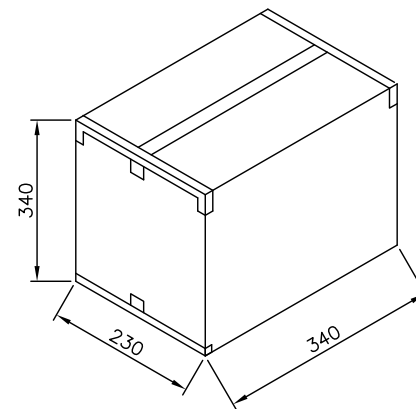
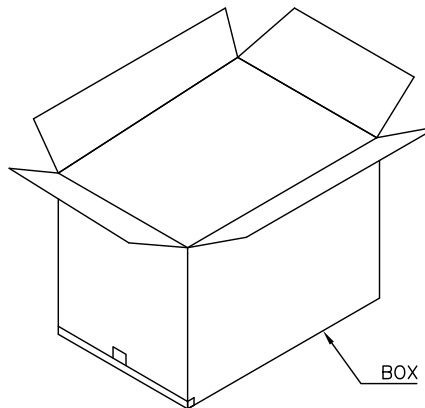
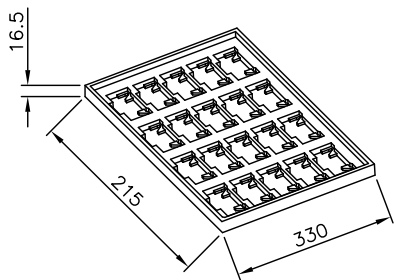
THIS DRAWING IS A CONTROLLED DOCUMENT.		DWN -	<b>STE</b> TE Connectivity Ltd.		
		CHK -			
DIMENSIONS: mm		APVD -	NAME		
TOLERANCES UNLESS OTHERWISE SPECIFIED:		PRODUCT SPEC -	0.8mm PITCH FAX MODEM SOCKET, 124 POSITIONS		
0 PLC ± -		APPLICATION SPEC -	SIZE CAGE CODE DRAWING NO RESTRICTED TO		
1 PLC ± -		WEIGHT 0	A3	00779	440360
2 PLC ± -		CUSTOMER DRAWING	SCALE -	SHEET 6 OF 7	REV N4
3 PLC ± -					
4 PLC ± -					
ANGLES ± -					
FINISH -					

THIS DRAWING IS UNPUBLISHED. RELEASED FOR PUBLICATION  
 © COPYRIGHT 2011 TYCO ELECTRONICS CORPORATION ALL RIGHTS RESERVED.

REVISIONS					
P	LTR	DESCRIPTION	DATE	DWN	APVD
-	-	SEE SHEET 1	-	-	-


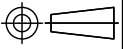


- NOTES :
- MATERIAL :  
 TRAY: PET, COLOR: TRANSPARENT.  
 BOX: CORRUGATED FIBER  
 TRANSPARENT BAG: PE, SIZE: 660mm\*600mm\*0.08mm
  - EACH BAG SHALL BE INCLUDED:  
 \* DESICCANT



6.2 KG	3.5 KG	20	30	600	440360-2
GROSS WEIGHT	NET WEIGHT	PCS/ TRAY	TRAY/ CARTON	PCS/ BOX	PN

THIS DRAWING IS A CONTROLLED DOCUMENT.

DIMENSIONS: mm	TOLERANCES UNLESS OTHERWISE SPECIFIED: 0 PLC ± - 1 PLC ± - 2 PLC ± - 3 PLC ± - 4 PLC ± - ANGLES ± -	DWN - CHK - APVD -	 TE Connectivity Ltd.		
	MATERIAL - FINISH -	PRODUCT SPEC -	NAME 0.8mm PITCH FAX MODEM SOCKET, 124 POSITIONS		
		APPLICATION SPEC -	SIZE A3	CAGE CODE 00779	DRAWING NO C-440360
CUSTOMER DRAWING		WEIGHT -	SCALE -	SHEET 7 OF 7	REV N4

单击下面可查看定价，库存，交付和生命周期等信息

[>>TE Connectivity\(泰科\)](#)