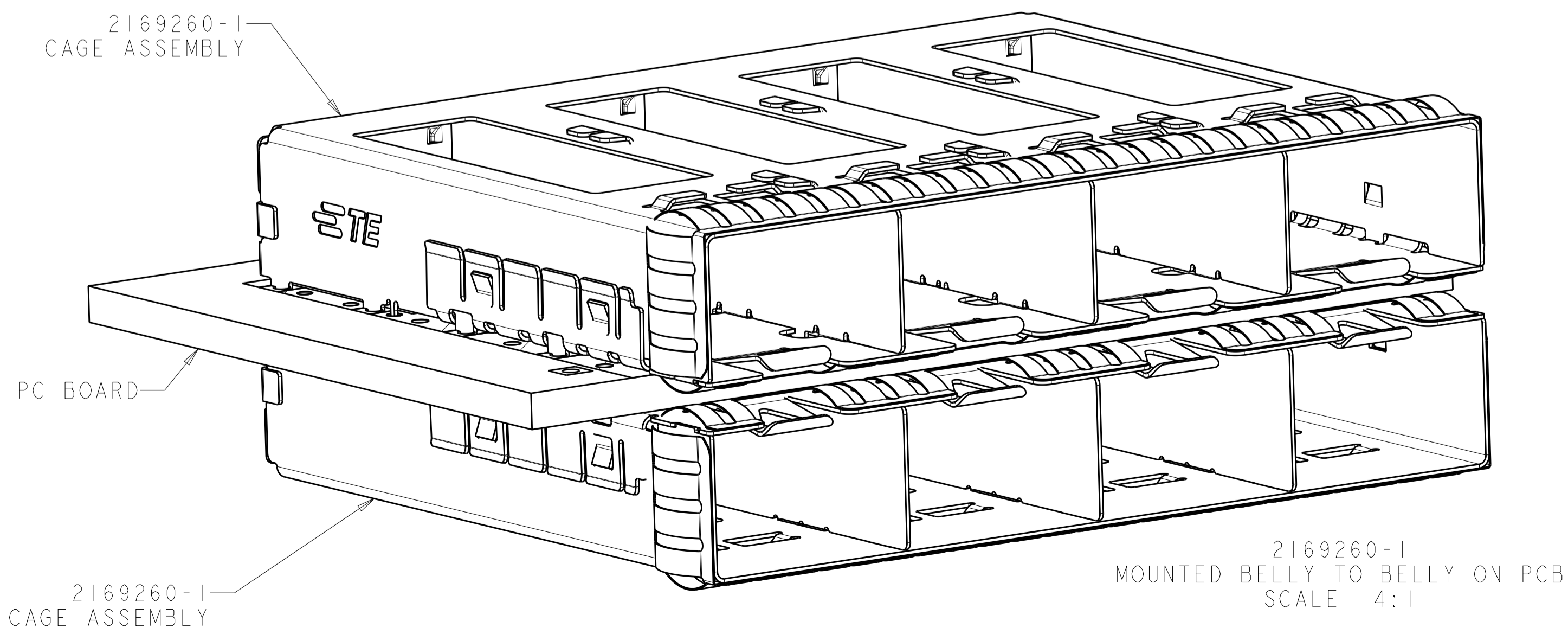
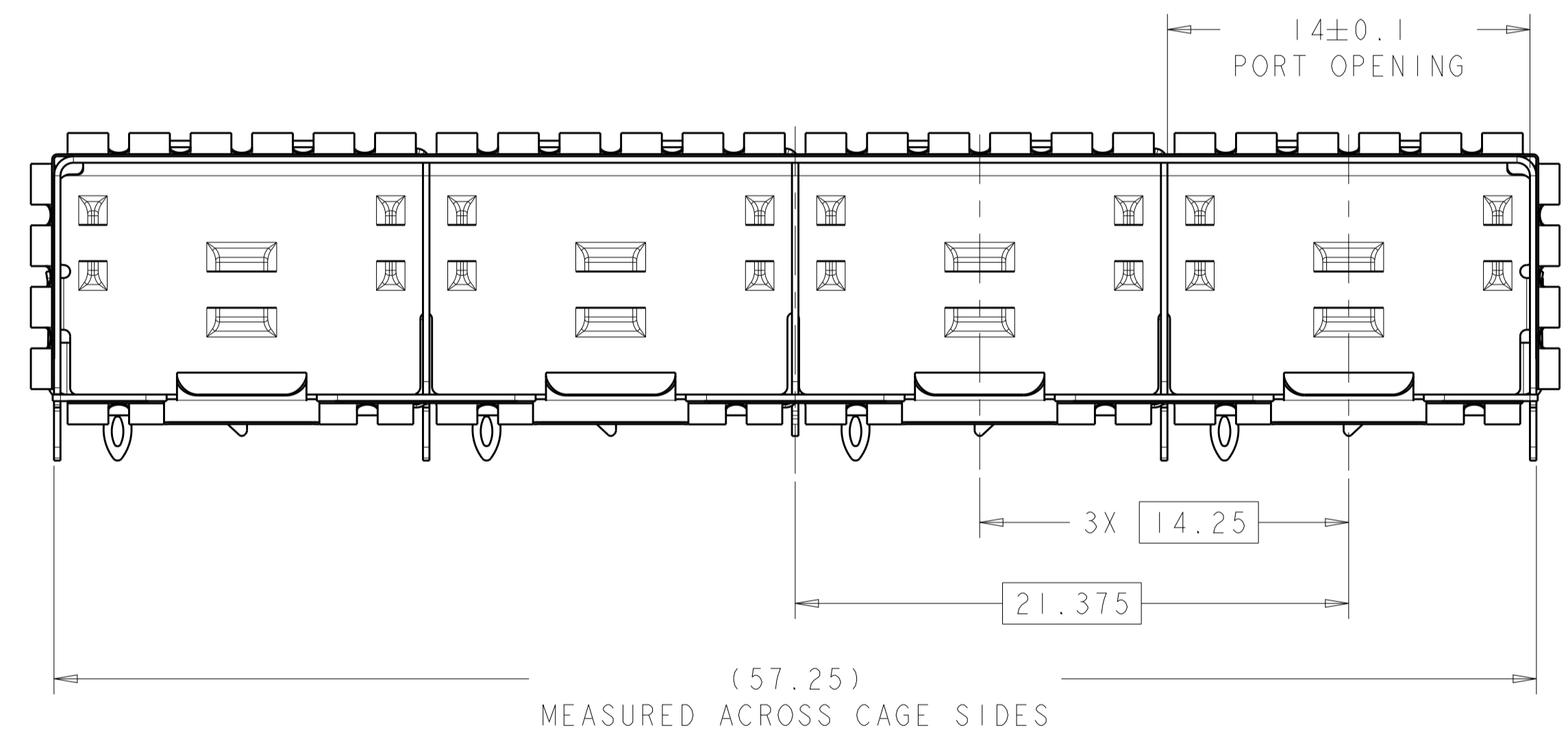
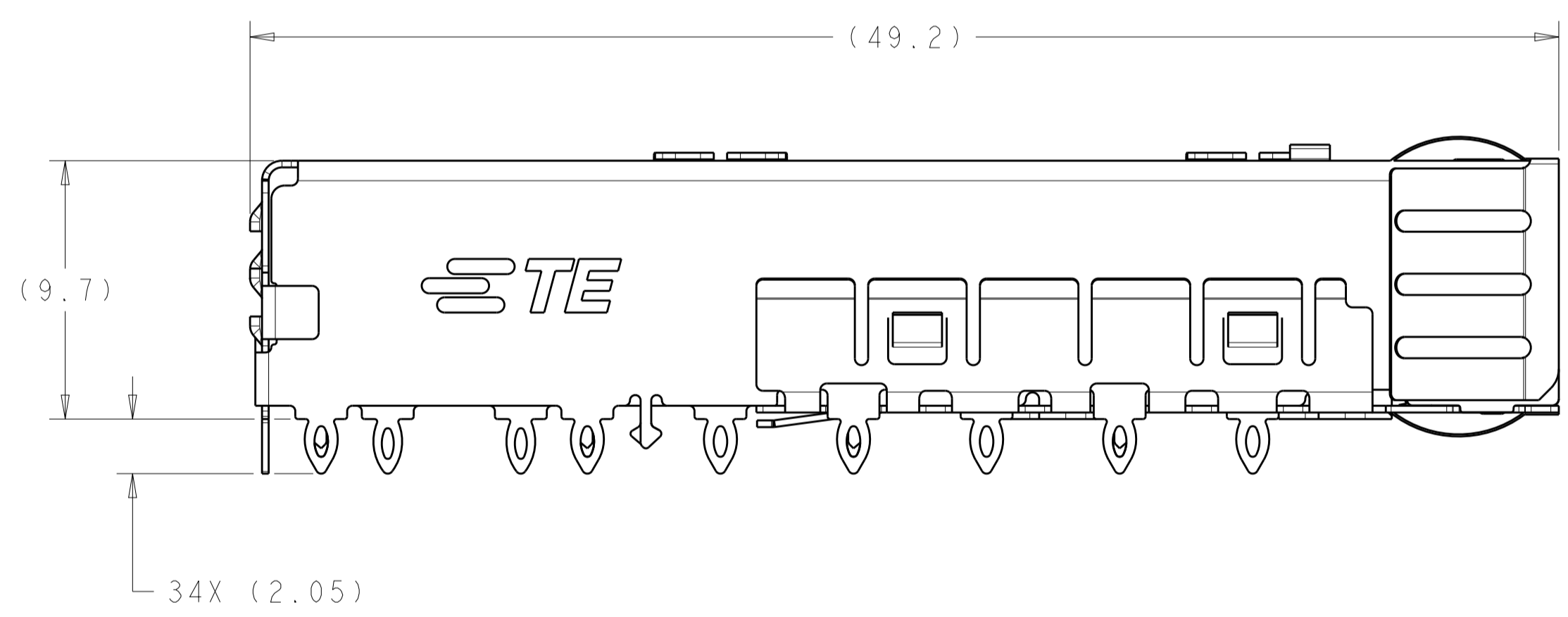
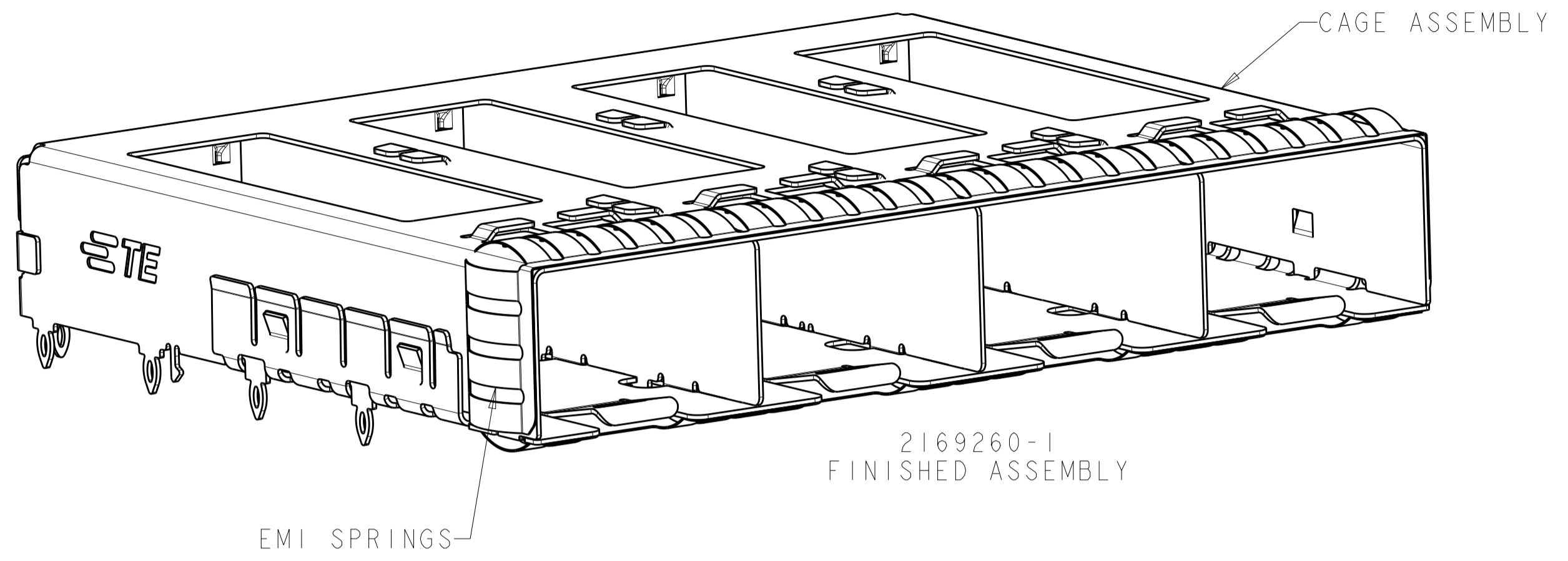


LOC	DIST	REVISIONS					
GP	00	P	LTN	DESCRIPTION	DATE	DWN	APVD
		A		RELEASED PER ECO-12-013192	10OCT2012	BMM	MRS

- 1. MATERIAL: CAGE ASSEMBLY: 0.25mm THICK NICKEL SILVER ALLOY.
EMI SPRINGS: COPPER ALLOY
- 2. FINISH
SPRINGS: MINIMUM OF 0.8um MATTE TIN PLATED OVER A MINIMUM OF 0.8um NICKEL UNDERPLATE.
NON-PLATED EDGES PERMISSIBLE.
- 3. PADS AND VIAS CHASSIS GROUND.
- 4. DATUM AND BASIC DIMENSION ESTABLISHED BY CUSTOMER.
- 5. MATES WITH SFP MSA COMPLIANT TRANSCEIVERS.
- 6. INTERPRETATION OF DATUM REFERENCE FRAME IN ACCORDANCE WITH SECT 4.4.1.1 OF ASME Y14.5M-1994.
- 7. REFERENCE APPLICATION SPEC. 114-13120, HOLE A, FOR RECOMMENDED DRILL HOLE DIAMETER AND PLATING THICKNESS.
- 8. REFERENCE APPLICATION SPEC. 114-13120, HOLE B, FOR RECOMMENDED DRILL HOLE DIAMETER AND PLATING THICKNESS.
- 9. HOLE PATTERN REPEATS FOR EACH PORT. SPACING BETWEEN PORTS IS 14.25mm.
- 10. MINIMUM PC BOARD THICKNESS:
SINGLE SIDED = 1.50
DOUBLE SIDED = 2.25
- 11. CERTAIN MATING TRANSCEIVERS MAY REQUIRE ADDITIONAL PCB THICKNESS THAT WOULD NEED TO BE DETERMINED BY THE CUSTOMER.
- 12. PRODUCT COMPLIES WITH WITH SPECIFICATION SFF-8433 IMPROVED PLUGGABLE FORM FACTOR FOR SFP+ GANGED CAGES.

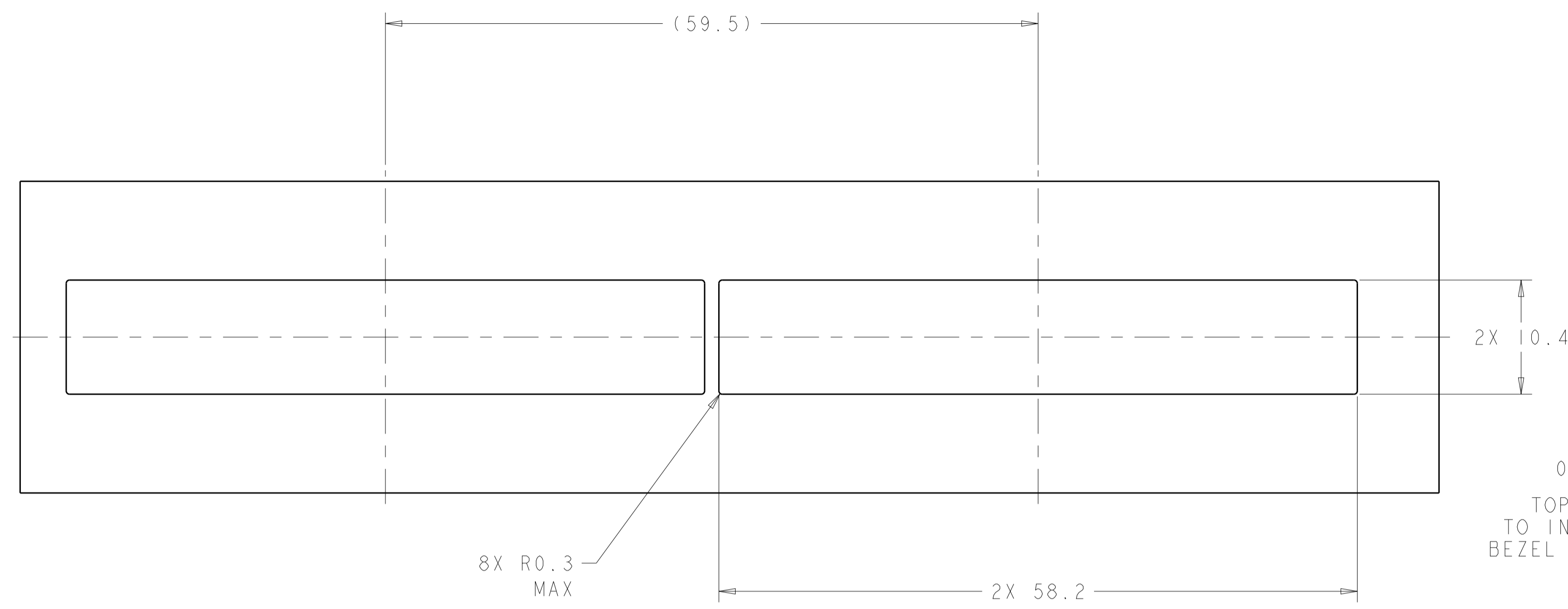


2169260-1
PART
NUMBER

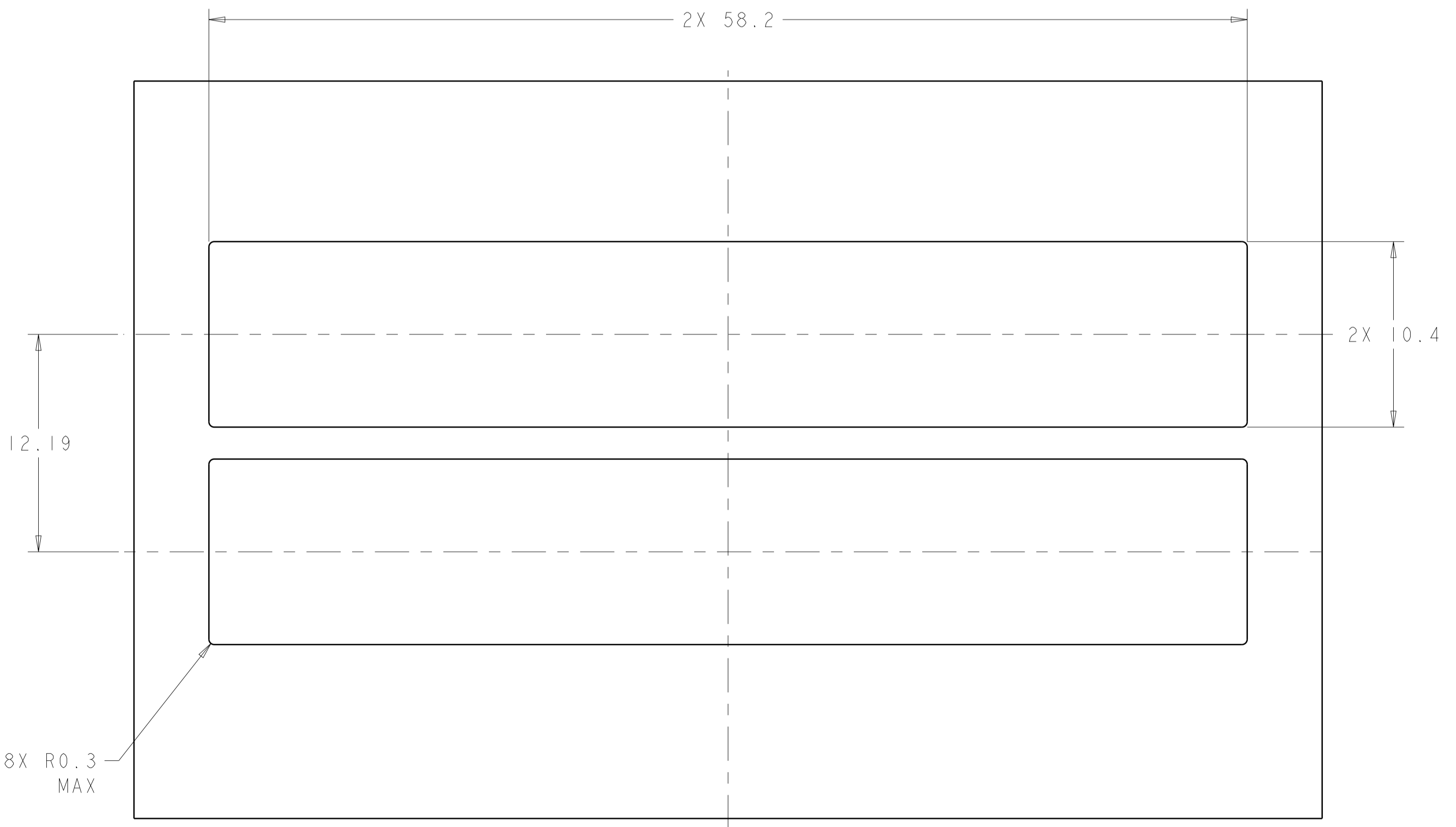
THIS DRAWING IS A CONTROLLED DOCUMENT.		DWN B. MATTHEWS CHK M. SCHMITT APVD M. SCHMITT	10DEC2010 10DEC2010	TE Connectivity NAME SFP+ ENHANCED 1X4 CAGE ASSEMBLY PRESS FIT, EXTERNAL EMI SPRINGS
DIMENSIONS:	TOLERANCES UNLESS OTHERWISE SPECIFIED:	PRODUCT SPEC	108-2364	
mm	0 PLC ±0.1 1 PLC ±0.1 2 PLC ±0.1 3 PLC ±0.1 4 PLC ±0.1 ANGLES ±0.1	APPLICATION SPEC	114-13120	
MATERIAL	FINISH	WEIGHT	Customer Drawing	SIZE CAGE CODE DRAWING NO A100779C=2169260 RESTRICTED TO SCALE 5:1 SHEET 1 OF 4 REV A

LOC	DIST	REV	DATE	BY	APPV
GP	00				

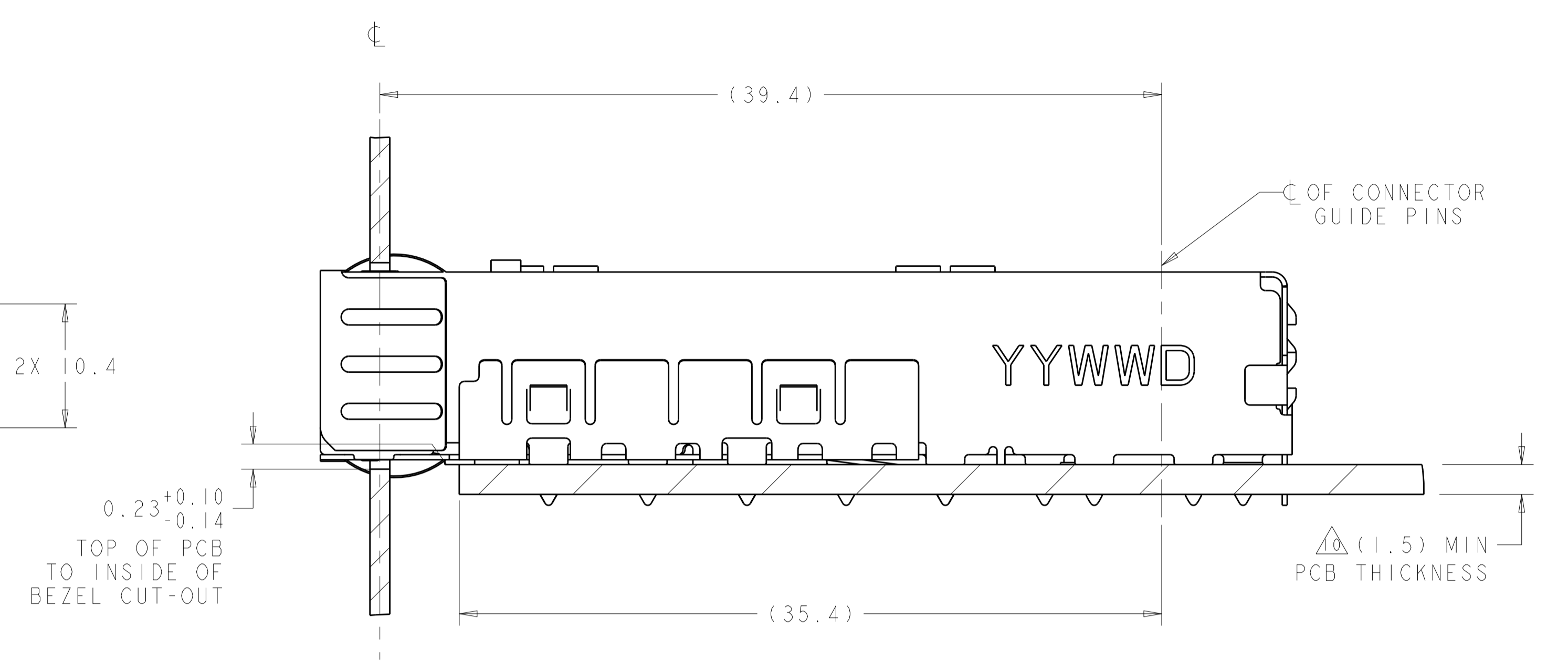
REVISIONS			
NO.	DESCRIPTION	DATE	BY
-	SEE SHEET 1	-	-



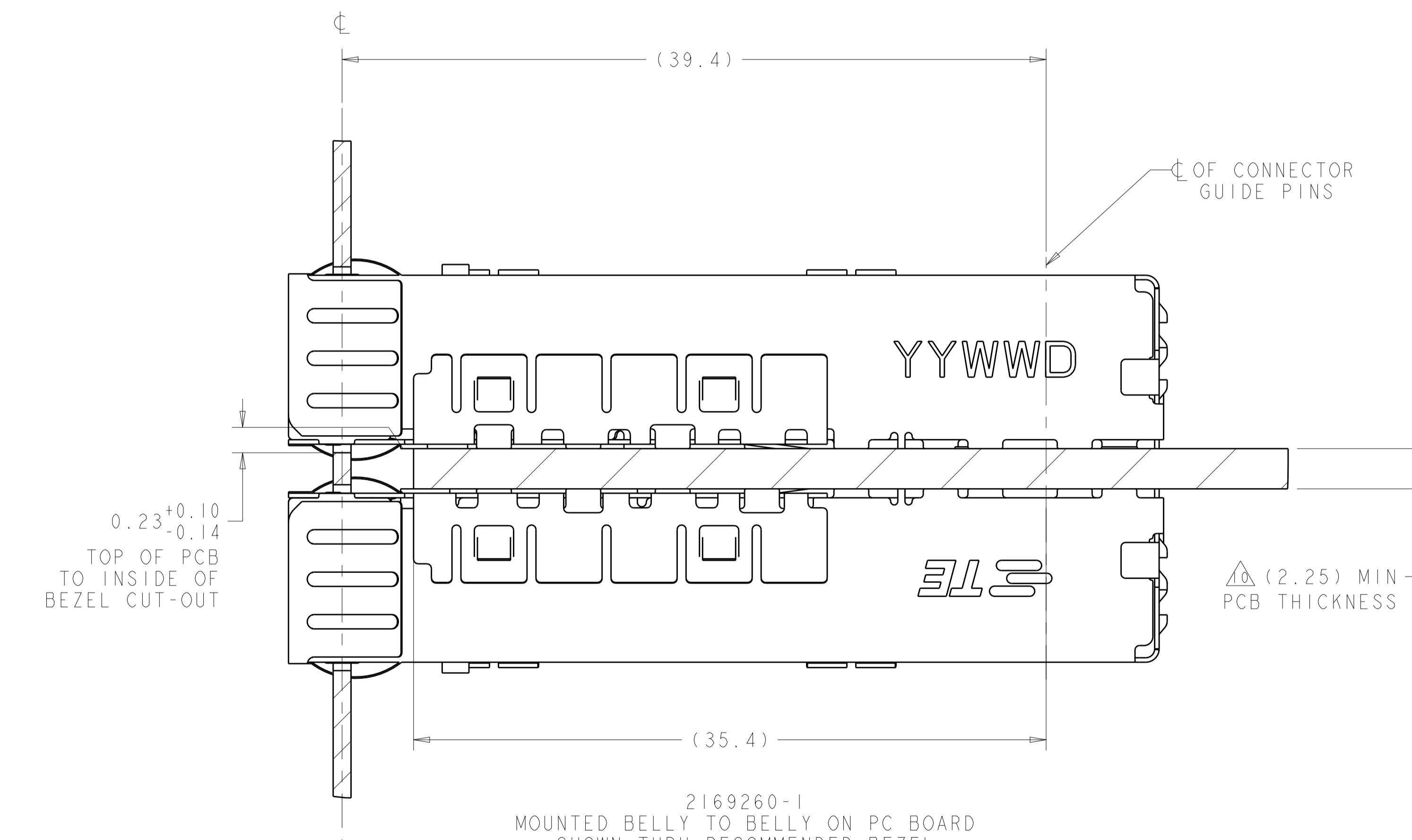
RECOMMENDED BEZEL CUT-OUT
 SINGLE SIDED APPLICATIONS
 SCALE 3:1




RECOMMENDED BEZEL CUT-OUT
 BELLY TO BELLY APPLICATIONS



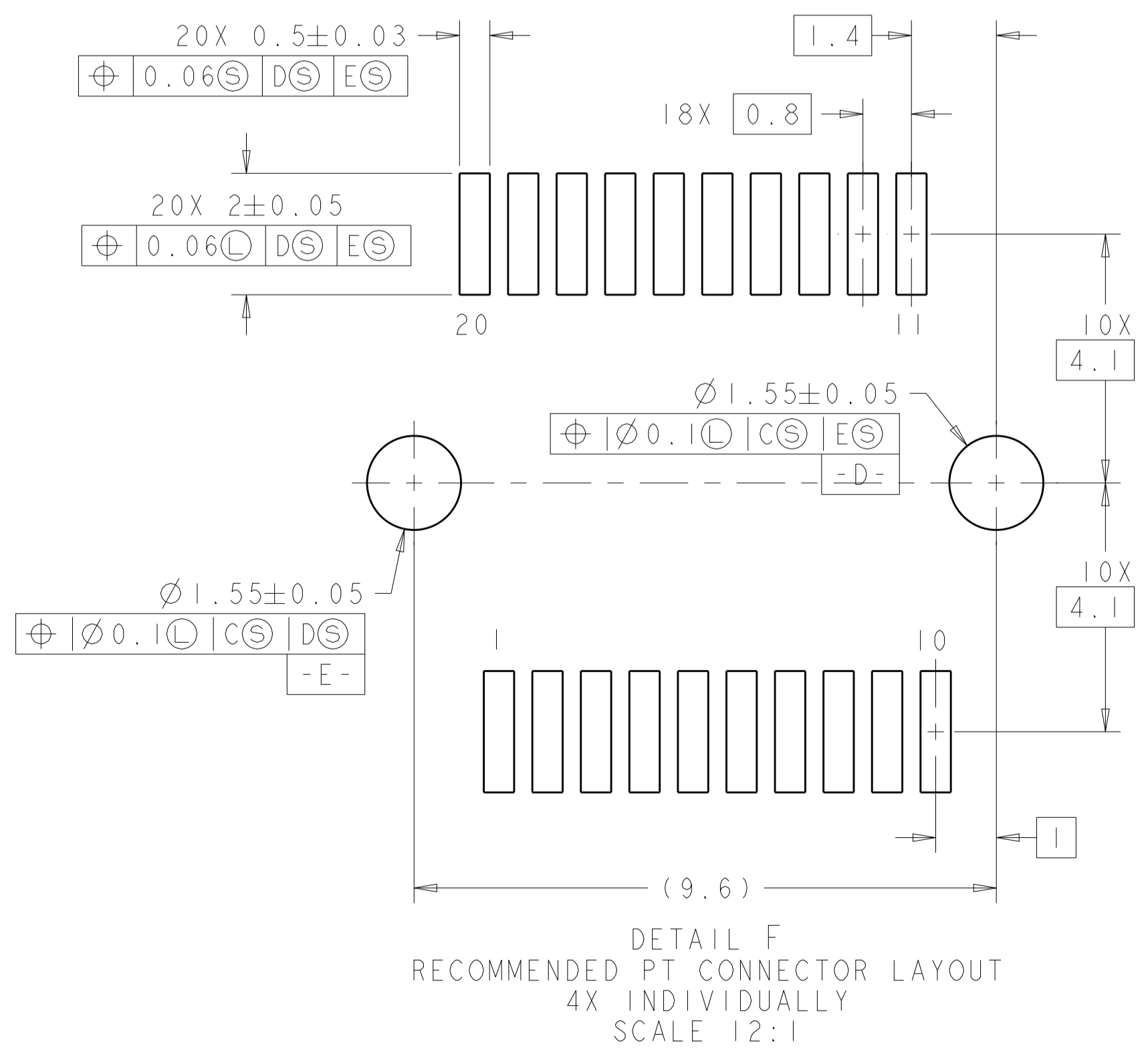
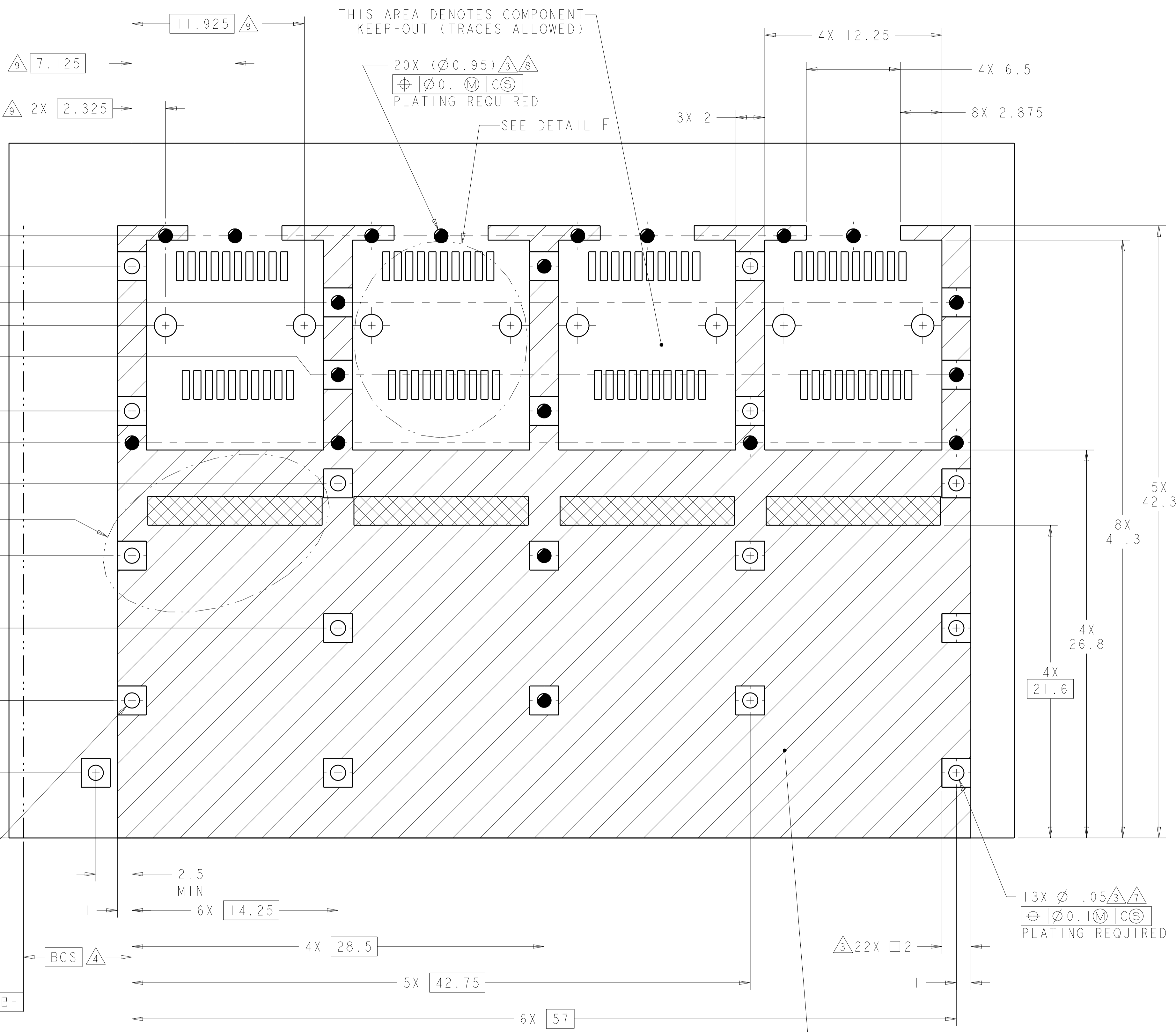
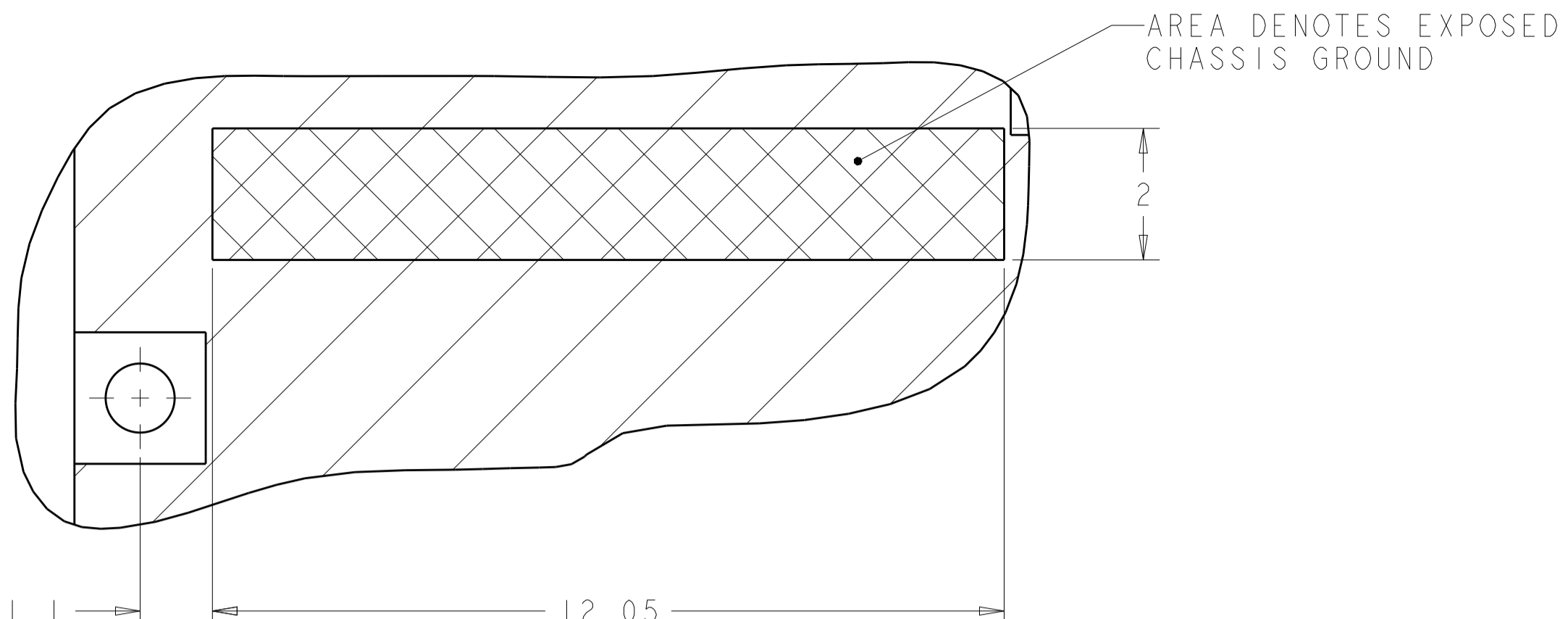
2169260-1
 MOUNTED ON PC BOARD
 SHOWN THRU RECOMMENDED BEZEL



2169260-1
 MOUNTED BELLY TO BELLY ON PC BOARD
 SHOWN THRU RECOMMENDED BEZEL

THIS DRAWING IS A CONTROLLED DOCUMENT.		OWN: B. MATTHEWS	DATE: 10DEC2010	 TE Connectivity
DIMENSIONS: mm		CHK: M. SCHMITT	DATE: 10DEC2010	
TOLERANCES UNLESS OTHERWISE SPECIFIED:		APVD: M. SCHMITT	DATE: 10DEC2010	NAME: SFP+ ENHANCED 1X4 CAGE ASSEMBLY PRESS FIT, EXTERNAL EMI SPRINGS
0 PLC ±0.1		PRODUCT SPEC	108-2364	
1 PLC ±0.1		APPLICATION SPEC	114-13120	SIZE: A100779C=2169260
2 PLC ±0.1		WEIGHT	-	
3 PLC ±0.1		RESTRICTED TO	-	SCALE: 5:1 SHEET 2 OF 4 REV A
4 PLC ±0.1		Customer Drawing	-	
ANGLES ±1°				
FINISH				

LOC	DIST	REVISIONS				
GP	00	REV	DATE	BY	APPR	
-	SEE SHEET 1	-	-	-	-	

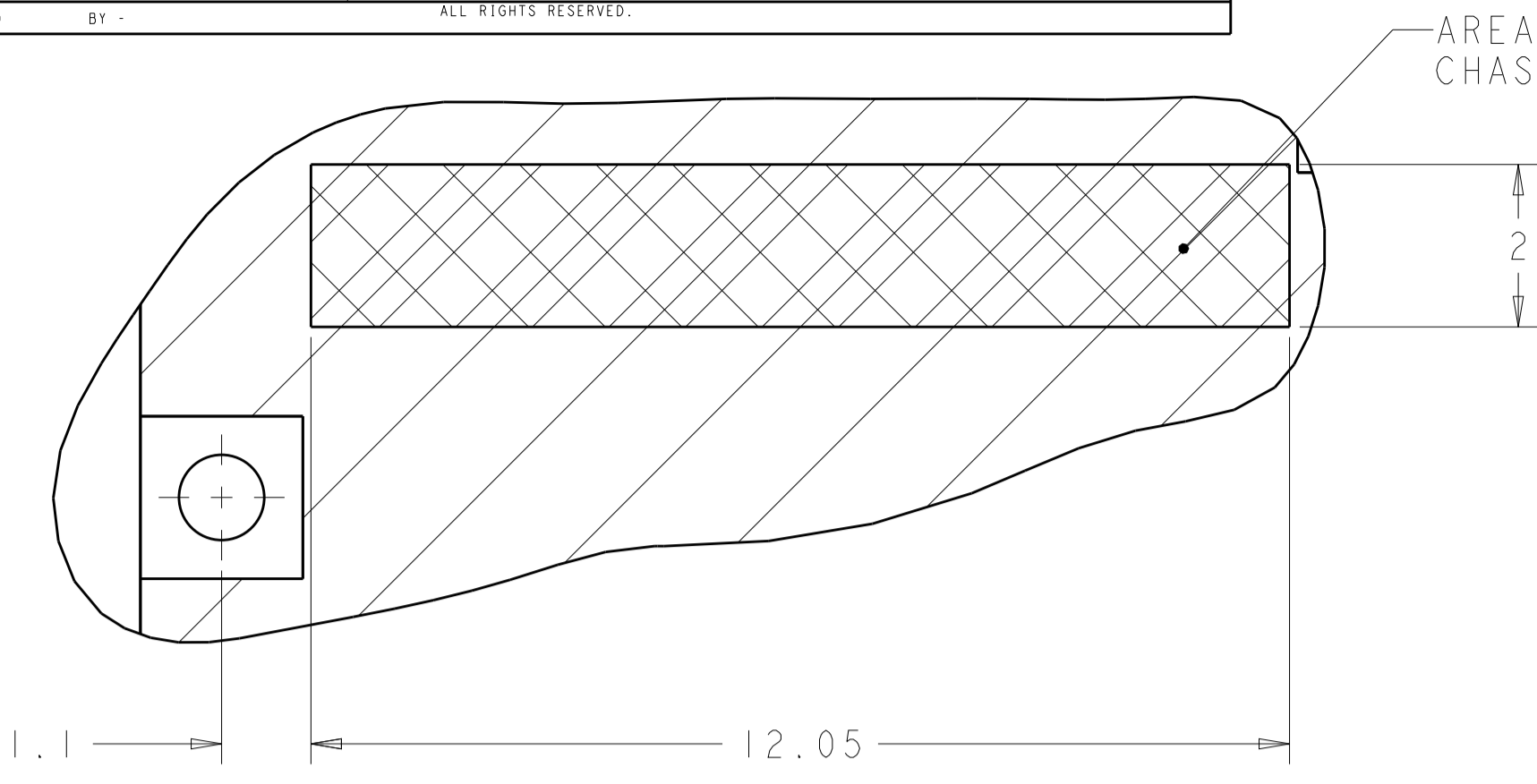


DIMENSIONS:		TOLERANCES UNLESS OTHERWISE SPECIFIED:		MATERIAL:		FINISH:	
mm		0 PLC	±0.1				
		1 PLC	±0.1				
		2 PLC	±0.1				
		3 PLC	±0.1				
		4 PLC	±0.1				
		ANGLES	±0.1				

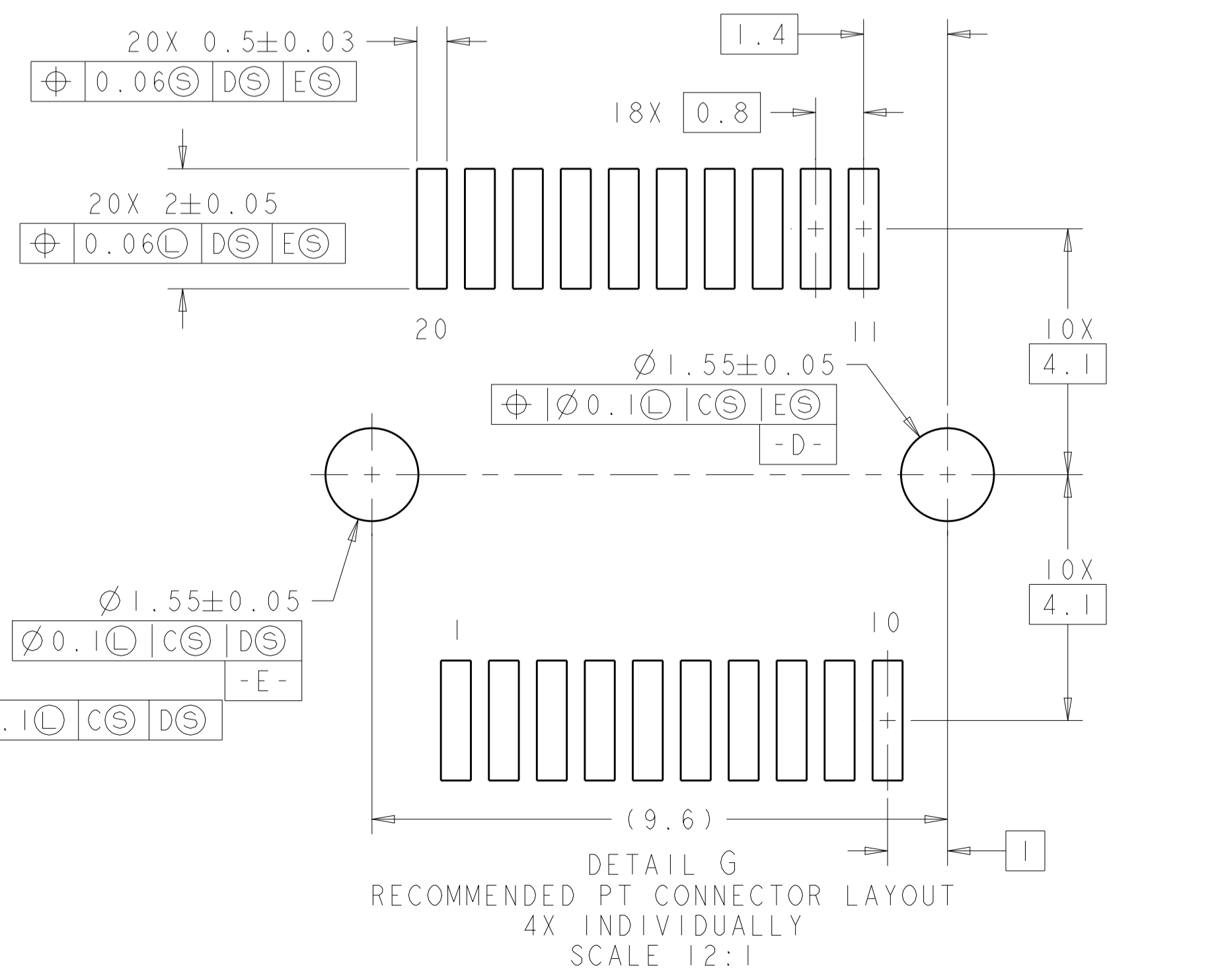
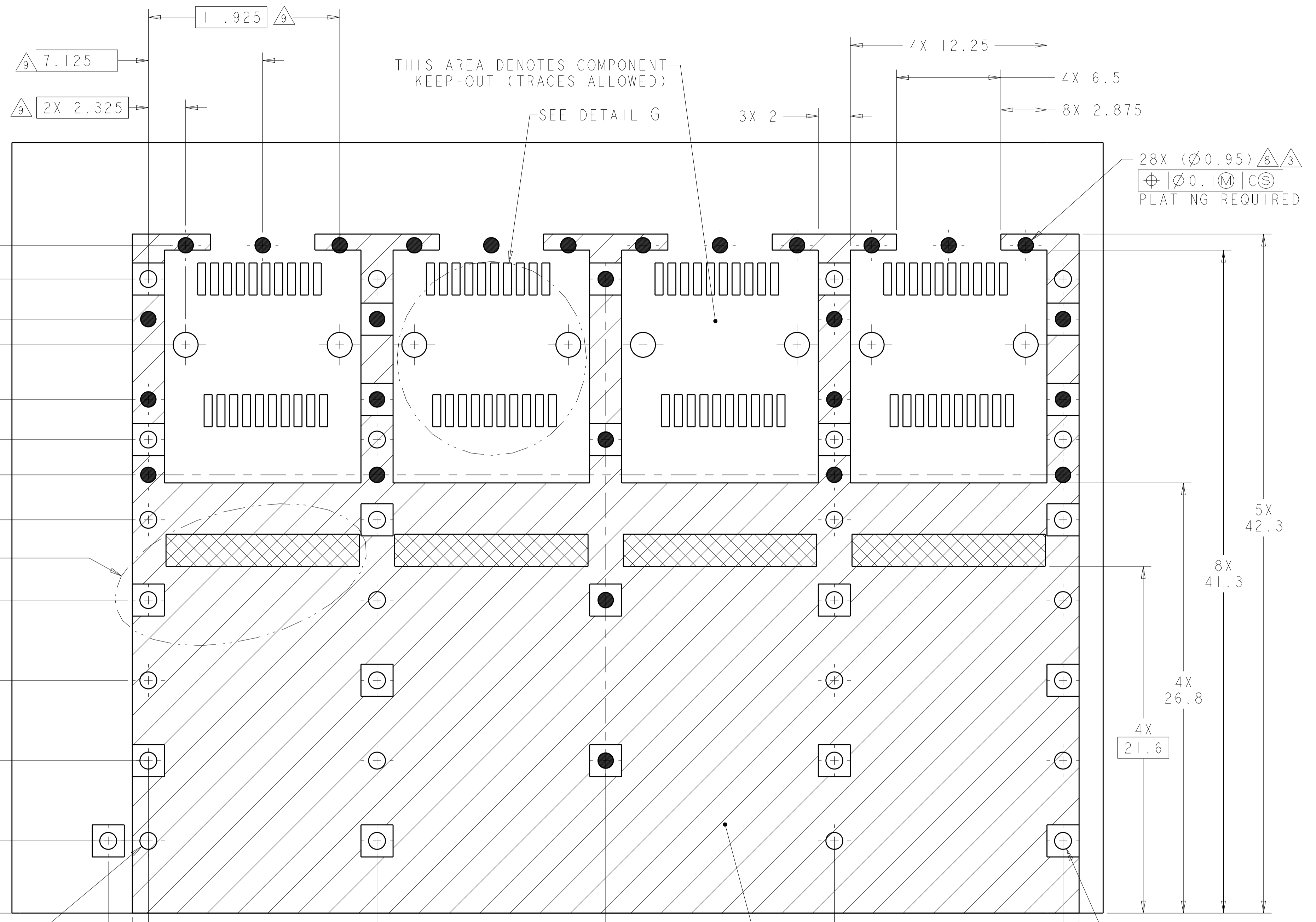
THIS DRAWING IS A CONTROLLED DOCUMENT.		OWN: B. MATTHEWS, TODEC2010		CHK: M. SCHMITT, TODEC2010		APPR: M. SCHMITT, TODEC2010	
PRODUCT SPEC: 108-2364		APPLICATION SPEC: 114-13120		WEIGHT: -		Customer Drawing	

NAME: SFP+ ENHANCED 1X4 CAGE ASSEMBLY PRESS FIT, EXTERNAL EMI SPRINGS	SIZE: A1	CAGE CODE: 100779	DRAWING NO: 2169260	RESTRICTED TO: -
SCALE: 5:1			SHEET 3 OF 4 REV A	

LOC		DIST		REVISIONS			
GP	00	P.	LTN	DESCRIPTION	DATE	DWN	APVD
-	-	-	-	SEE SHEET 1	-	-	-
-	-	-	-	-	-	-	-
-	-	-	-	-	-	-	-



DETAIL B
4X INDIVIDUALLY
SCALE 12:1



DETAIL G
RECOMMENDED PT CONNECTOR LAYOUT
4X INDIVIDUALLY
SCALE 12:1

RECOMMENDED PCB CONFIGURATION WITH KEEP-OUT AREAS BELLY TO BELLY APPLICATIONS. CROSS-HATCHED AREA DENOTES COMPONENT AND TRACE KEEP-OUT (EXCEPT CHASSIS GROUND)

THIS DRAWING IS A CONTROLLED DOCUMENT.		DWN B. MATTHEWS TODDEC2010	10DEC2010
DIMENSIONS:		CHK M. SCHMITT TODDEC2010	10DEC2010
TOLERANCES UNLESS OTHERWISE SPECIFIED:		APVD M. SCHMITT TODDEC2010	10DEC2010
mm	0 PLC ±0.1	PRODUCT SPEC	NAME
	1 PLC ±0.1	108-2364	SFP+ ENHANCED 1X4 CAGE ASSEMBLY
	2 PLC ±0.1	APPLICATION SPEC	PRESS FIT, EXTERNAL EMI SPRINGS
	3 PLC ±0.1	114-13120	SIZE
	4 PLC ±0.1	WEIGHT	CAGE CODE
	ANGLES ±1°	A100779	DRAWING NO
MATERIAL	FINISH	Customer Drawing	RESTRICTED TO
SCALE 5:1		SHEET 4	OF 4
REV A			

单击下面可查看定价，库存，交付和生命周期等信息

[>>TE Connectivity\(泰科\)](#)