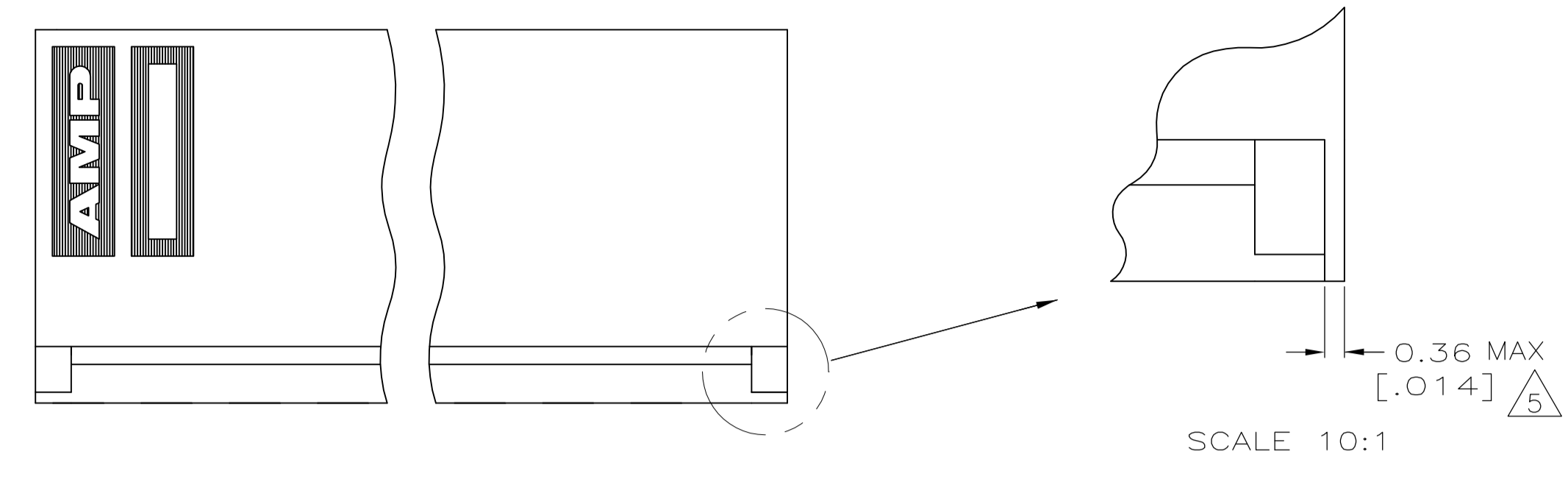
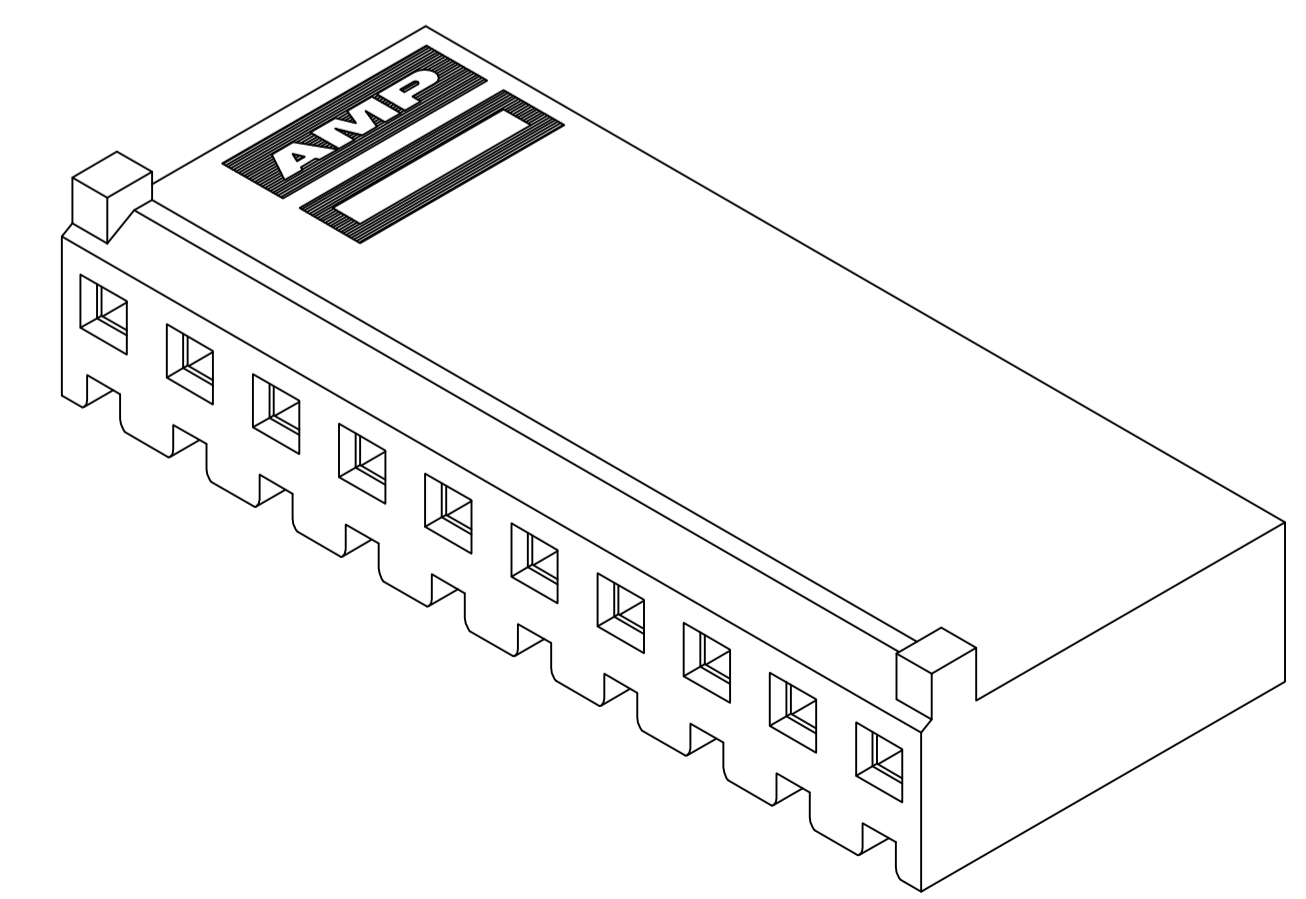
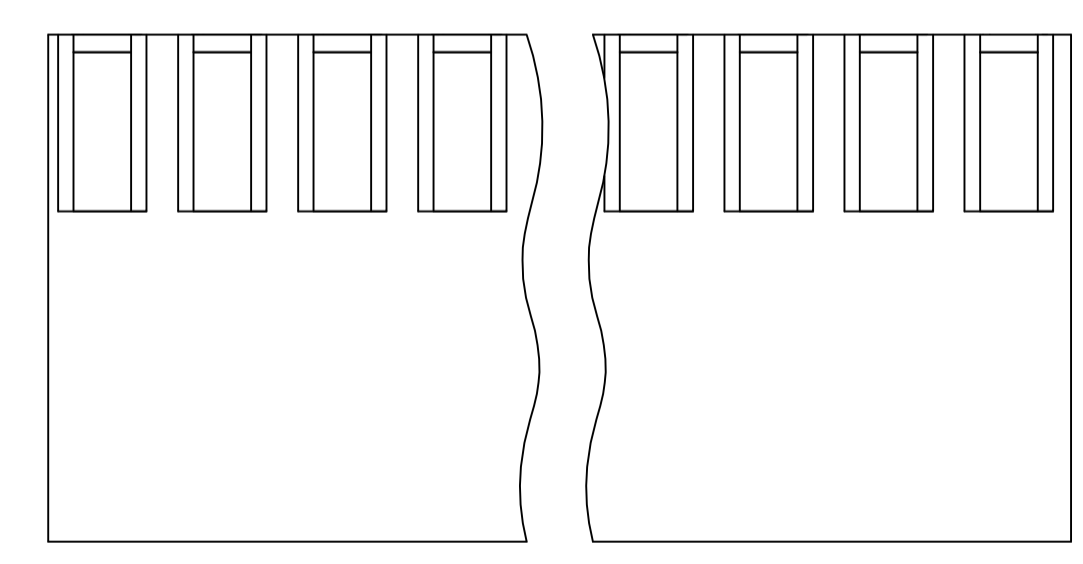
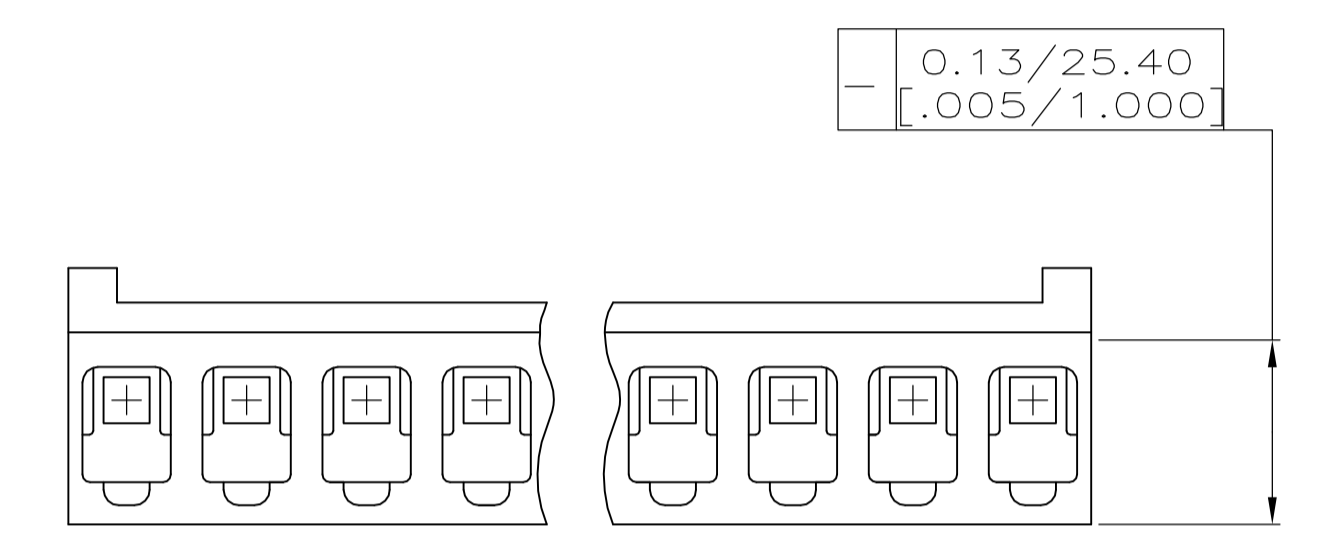
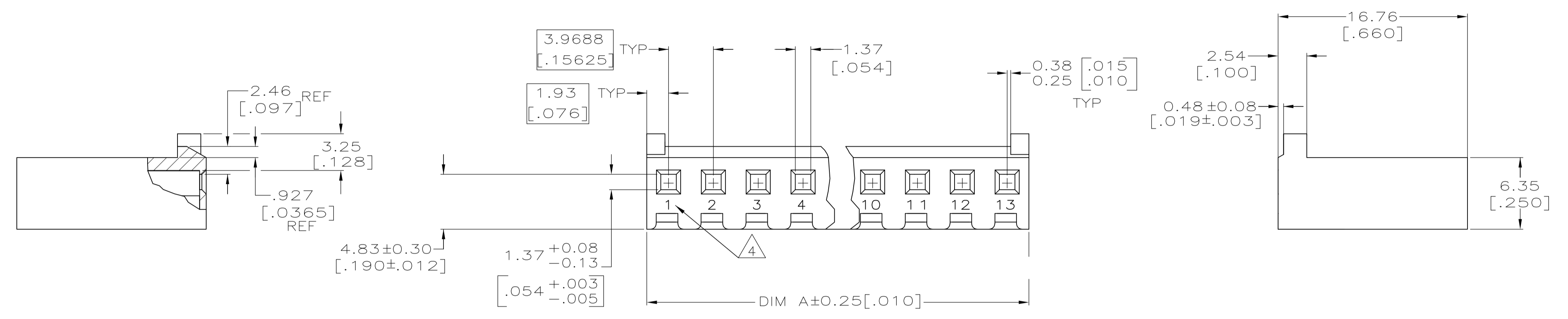


LOC		DIST		REVISIONS			
CM	54	REV	DATE	BY	APPV	DATE	DESCRIPTION
		D	27JUL12	KH	SM		REVISED PER ECO-12-007810



- 1 UNIT ACCEPTS 1.14[.045] SQUARE OR ROUND POST.
- 2 UNIT ACCEPTS STANDARD SL-156 CONTACTS.
- 3 UNIT ACCEPTS KEYING PLUG 640254-1 AND KEYING PIN 640255-1.
- $\triangle 4$ IDENTIFICATION NUMBER FOR ALL POSITIONS, OR FOR POSITION 1 ONLY, WILL BE LOCATED AS SHOWN.
- $\triangle 5$ OPTIONAL CONSTRUCTION, BOTH ENDS.
- 6 DIMENSIONS IN BRACKETS ARE IN INCHES.



3-DIMENSIONAL MODEL NTS

1.871	47.52	12	1-647288-2
1.715	43.56	11	1-647288-1
1.558	39.57	10	1-647288-0
1.402	35.61	9	647288-9
1.246	31.65	8	647288-8
1.090	27.69	7	647288-7
.933	23.70	6	647288-6
.777	19.74	5	647288-5
.621	15.77	4	647288-4
.465	11.81	3	647288-3
.308	7.82	2	647288-2
[IN]	MM		
DIM A		NO OF POSN	PART NUMBER

THIS DRAWING IS A CONTROLLED DOCUMENT.

DIMENSIONS: mm [INCHES]	TOLERANCES UNLESS OTHERWISE SPECIFIED:	0. PL C ±	1. PL C ±	2. PL C ±	3. PL C ± 0.13 [.005]	4. PL C ±	ANGLES ± 0.30°	FINISH

MATERIAL: NYLON, UL94V-0, BLACK

APPROVED: J. ELLIS (06-NOV-2003)

DESIGNED: S. HOOVER (06-NOV-2003)

NAME: J. ELLIS

APPLICATION SPEC: HOUSING WITH LOCKING RAMP & POLARIZING TAB, SL-156, SPECIAL, BLACK

SIZE: A1

WEIGHT: 00779

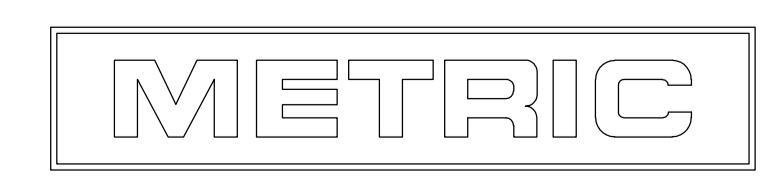
DRAWING NO: 647288

CUSTOMER DRAWING

SCALE: 4:1

SHEET: 1 of 1

REV: D



单击下面可查看定价，库存，交付和生命周期等信息

[>>TE Connectivity\(泰科\)](#)