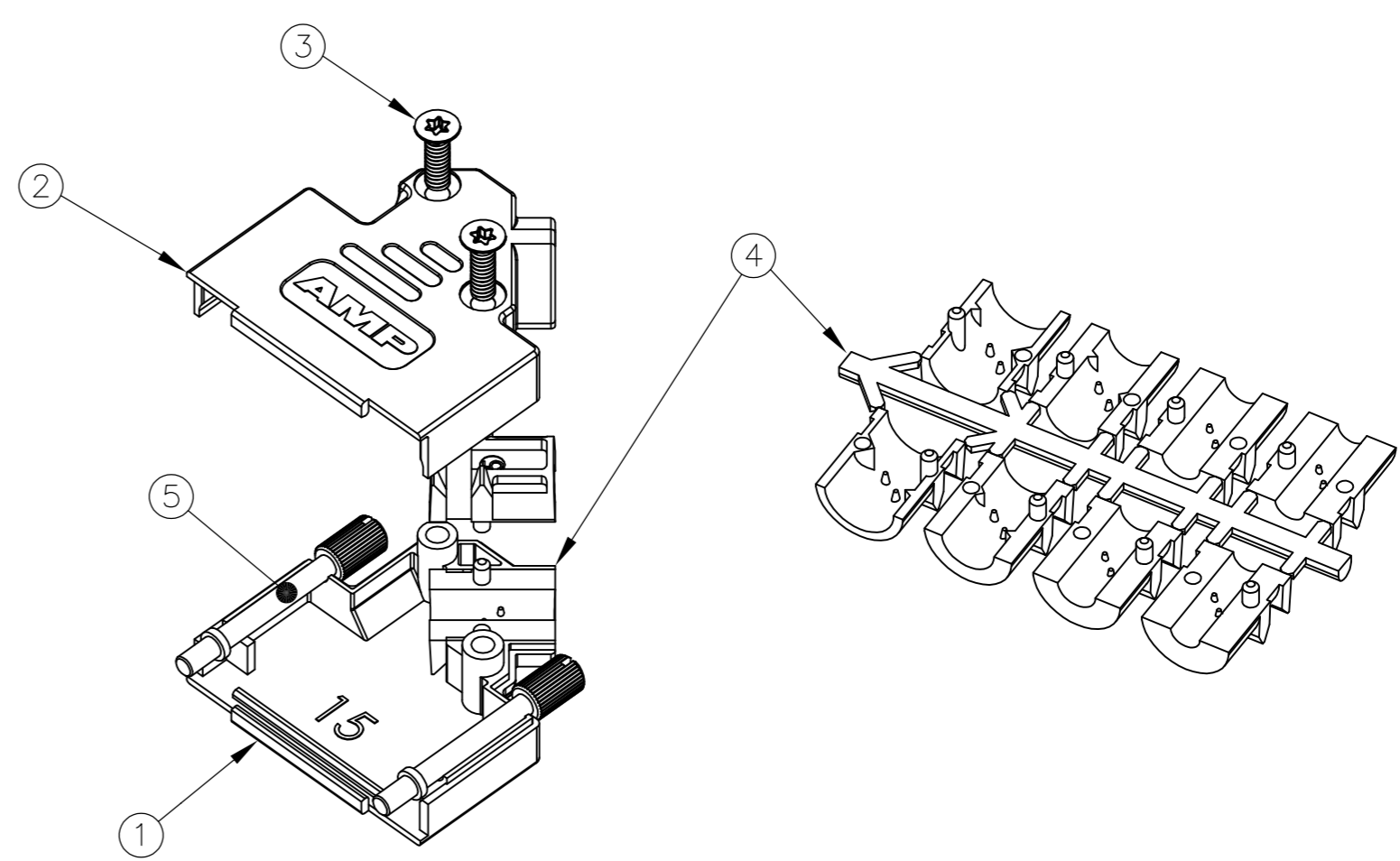
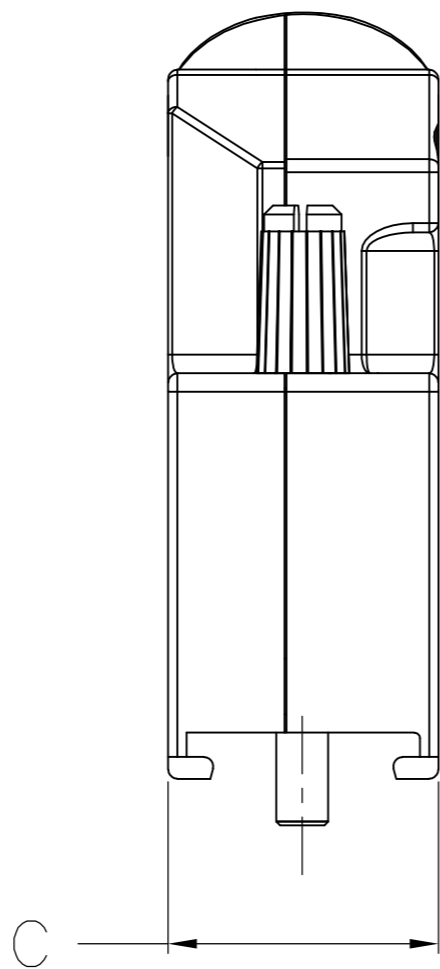
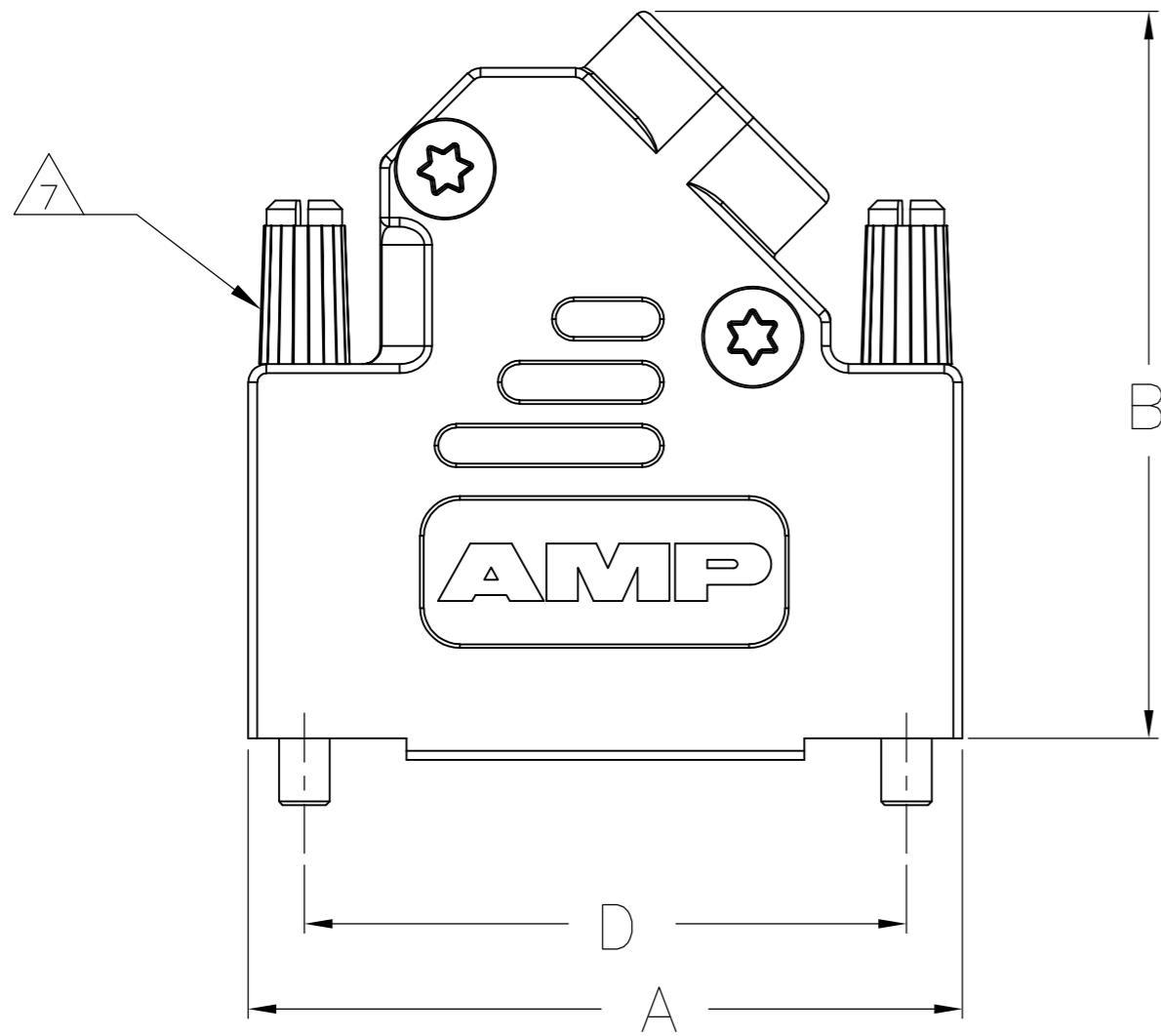


THIS DRAWING IS UNPUBLISHED. RELEASED FOR PUBLICATION 27-02-02 .- .
 © COPYRIGHT 2002 By - ALL RIGHTS RESERVED.

| LOC | | DIST | | REVISIONS | | | |
|-----|----|------|-----|---------------------------|-----------|-----|------|
| GP | 00 | P | LTR | DESCRIPTION | DATE | DWN | APVD |
| | | N | | REVISED PER ECO-13-000397 | 31JAN2013 | CJV | CWR |



1. FOR ASSEMBLY DETAILS, REFER TO LEAFLET 2227518-1.

| | |
|------------------------|--------------|
| △7 JACKSCREW QUANTITY: | |
| 9 WAY ASSEMBLY: | 1 JACKSCREW |
| 15 WAY ASSEMBLY: | 2 JACKSCREWS |
| 25 WAY ASSEMBLY: | 2 JACKSCREWS |
| 37 WAY ASSEMBLY: | 2 JACKSCREWS |

△2 BULK PACKAGED BACKSHELL ASSEMBLIES: ITEM 1, 100 PCS LOOSE IN BOX. ITEMS 2 THRU 5, 100 TIMES QTY SHOWN IN TABLE IN 1 BAG FOR EACH ITEM. ALL BAGS IN 1 BOX WITH (1) 2227518-1 LEAFLET.

8. OPTIONAL CABLE CRIMP KIT AVAILABLE FOR 6.0-9.5 DIAMETER CABLE. SEE 1478764

△3 INDIVIDUALLY PACKAGED SHELL ASSEMBLIES: 1 BAG CONTAINS ALL COMPONENTS FOR 1 COMPLETE ASSEMBLY. 100 BAGS PER BOX, (1) 2227518-1 LEAFLET PER BOX.

4. TERMINATES 4.0-13.0 CABLE DIAMETERS.

5. 15 POSITION SHOWN.

△6 TRIVALENT CHROMIUM CHROMATE COATING OVER ZINC PLATING.

| | | | | | | | | | |
|-----------|------|------|------|------|--------------------------------|------------------|------------|----------|-------------|
| △3 | 63.5 | 14.6 | 40.2 | 69.7 | TORX | 4-40 UNC | 4 | 37 WAY | 5-1478763-4 |
| △3 | 47.0 | 14.6 | 40.2 | 53.2 | TORX | 4-40 UNC | 3 | 25 WAY | 5-1478763-3 |
| △3 | 33.3 | 14.6 | 40.2 | 39.5 | TORX | 4-40 UNC | 2 | 15 WAY | 5-1478763-2 |
| △3 | 25.0 | 14.6 | 36.2 | 31.0 | TORX | 4-40 UNC | 1 | 9 WAY | 5-1478763-1 |
| △2 | 47.0 | 14.6 | 40.2 | 53.2 | TORX | M3 | 3 | 25 WAY | 4-1478763-7 |
| △2 | 33.3 | 14.6 | 40.2 | 39.5 | TORX | M3 | 2 | 15 WAY | 4-1478763-6 |
| △2 | 25.0 | 14.6 | 36.2 | 31.0 | TORX | M3 | 1 | 9 WAY | 4-1478763-5 |
| △2 | 63.5 | 14.6 | 40.2 | 69.7 | TORX | 4-40 UNC | 4 | 37 WAY | 3-1478763-7 |
| △2 | 47.0 | 14.6 | 40.2 | 53.2 | TORX | 4-40 UNC | 3 | 25 WAY | 2-1478763-5 |
| △2 | 33.3 | 14.6 | 40.2 | 39.5 | TORX | 4-40 UNC | 2 | 15 WAY | 1-1478763-5 |
| △2 | 25.0 | 14.6 | 36.2 | 31.0 | TORX | 4-40 UNC | 1 | 9 WAY | 1478763-9 |
| PACKAGING | D | C | B | A | SELF TAPPING FIXING SCREW TYPE | JACKSCREW THREAD | SHELL SIZE | POSITION | PART NUMBER |

| | | | | |
|------|---------------------------|-------------------------|--------|-----|
| 5 | JACKSCREW ASSEMBLY | POLYAMIDE, UL94 V2 KNOB | BLACK | △7 |
| | | CARBON STEEL SHAFT | △6 | |
| 4 | STRAIN RELIEF SET | POLYCARBONATE UL94 V0 | BLACK | 1 |
| 3 | SELF TAPPING FIXING SCREW | CARBON STEEL | △6 | 2 |
| 2 | TOP BACKSHELL | ZINC | NICKEL | 1 |
| 1 | BOTTOM BACKSHELL | ZINC | NICKEL | 1 |
| ITEM | DESCRIPTION | MATERIAL | FINISH | QTY |

THIS DRAWING IS A CONTROLLED DOCUMENT. DIMENSIONING AND TOLERANCING PER ASME Y14.5M-2009

DWN C. VALENTINE 06JAN2011
 CHK C. ROHDE 06JAN2012
 APVD C. ROHDE 06JAN2012

TE Connectivity

ADK SERIES DIE-CAST BACKSHELL 45 DEGREE ENTRY

SIZE A2 CAGE CODE 00779 C=1478763

SCALE NTS SHEET 1 OF 1 REV N

CUSTOMER DRAWING

单击下面可查看定价，库存，交付和生命周期等信息

[>>TE Connectivity\(泰科\)](#)