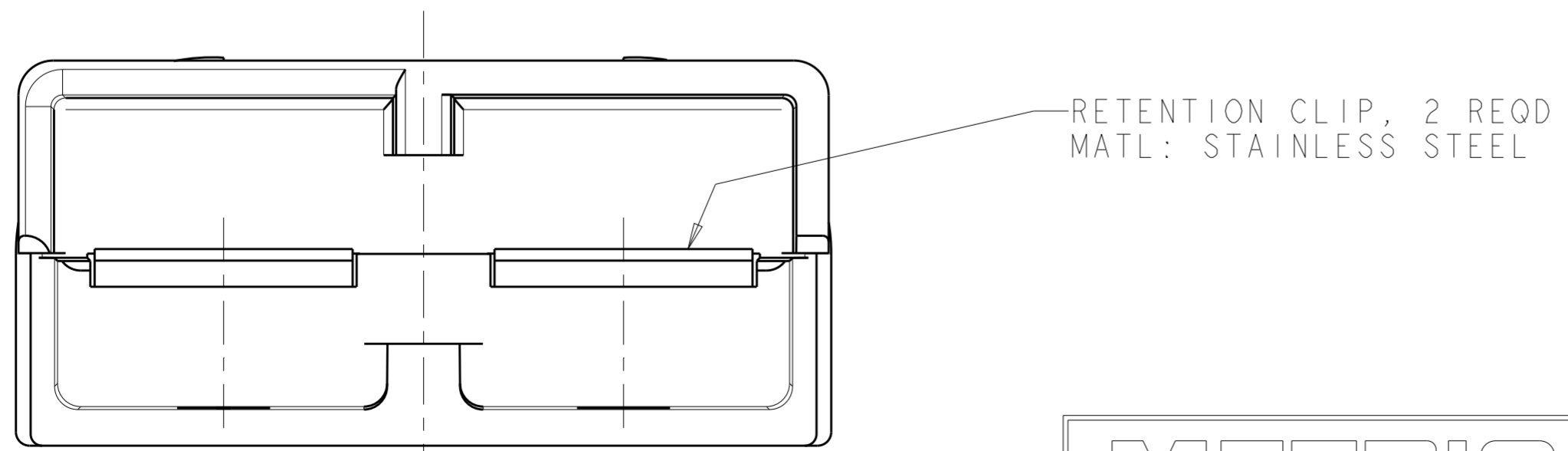
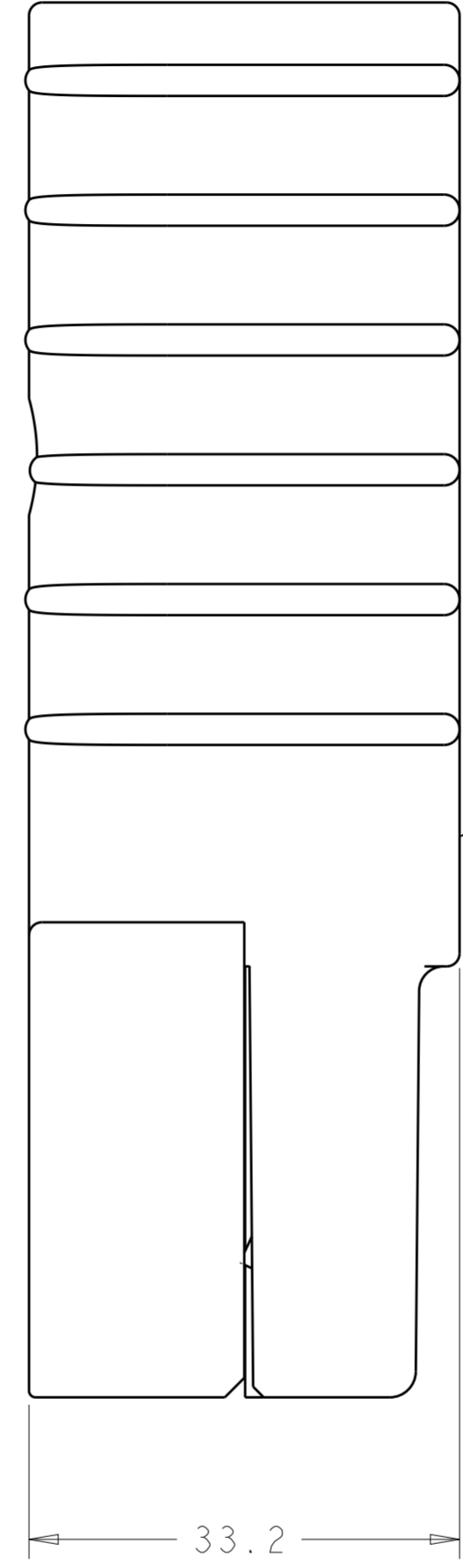
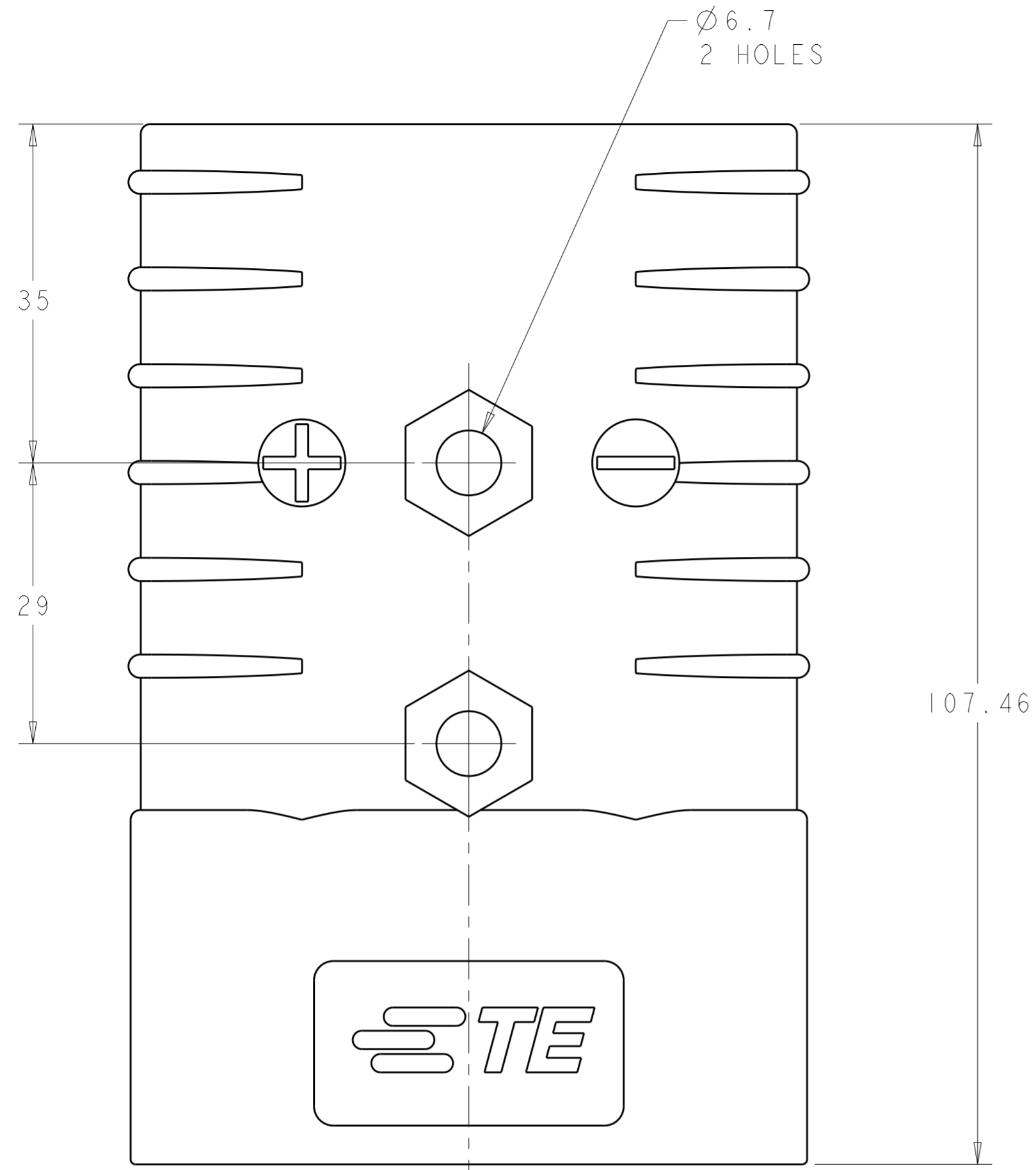
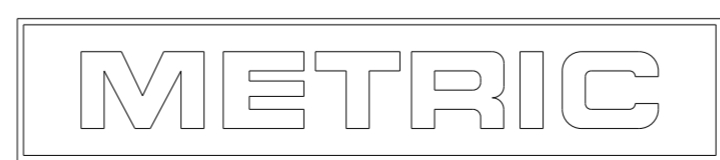


THIS DRAWING IS UNPUBLISHED. RELEASED FOR PUBLICATION 20  
 © COPYRIGHT 20 BY - ALL RIGHTS RESERVED.

REVISIONS					
P	LTR	DESCRIPTION	DATE	DWN	APVD
A1		REVISED PER ECR-10-010379	24MAY2010	HMR	JR
A2		REVISED PER ECR-16-003009	29FEB2016	RS	SZ



GREEN	1604050-6
BLUE	1604050-5
GRAY	1604050-4
RED	1604050-3
ORANGE	1604050-2
YELLOW	1604050-1
HOUSING COLOR	ASSEMBLY PART NO



THIS DRAWING IS A CONTROLLED DOCUMENT.

DIMENSIONS:	TOLERANCES UNLESS OTHERWISE SPECIFIED:	DWN	8 JAN 2002	TE Connectivity
mm	0 PLC $\pm 0.13$	CHK	B. D. YOHN 8 APR 2002	
	1 PLC $\pm 0.13$	CHK	W. BERNHART 8 APR 2002	
	2 PLC $\pm 0.13$	APVD	W. BERNHART 8 APR 2002	
	3 PLC $\pm 0.13$	PRODUCT SPEC	108-2156	NAME
	4 PLC $\pm$	APPLICATION SPEC	114-13119	SUB-ASSY, HOUSING W/ SPRING, AMP POWER SERIES 350
MATERIAL	FINISH	WEIGHT	-	SIZE
-	-	-	-	A2
CUSTOMER DRAWING			SCALE	DRAWING NO
			2:1	C-1604050
			SHEET	RESTRICTED TO
			1 OF 1	-
			REV	A2

单击下面可查看定价，库存，交付和生命周期等信息

[>>TE Connectivity\(泰科\)](#)