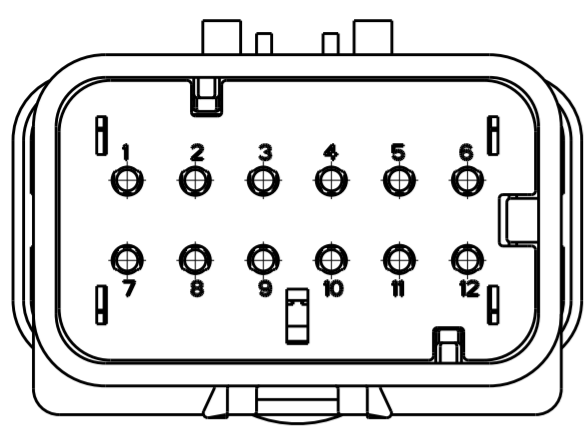
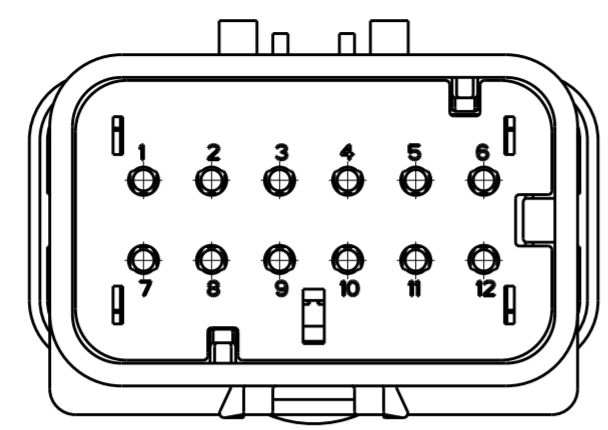


THIS DRAWING IS UNPUBLISHED  
 RELEASED FOR PUBLICATION  
 COPYRIGHT 20 BY - ALL RIGHTS RESERVED.

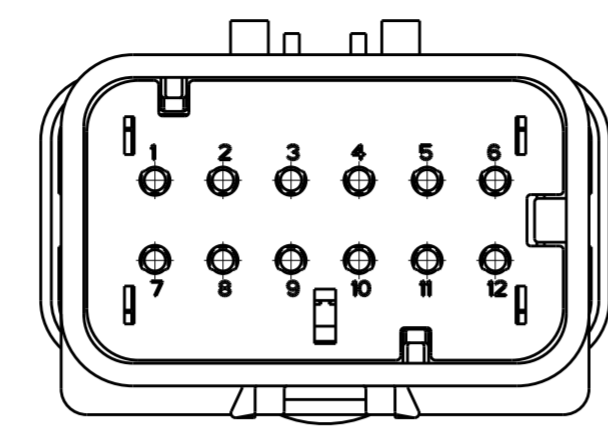
REVISIONS					
P	LTR	DESCRIPTION	DATE	DWN	APVD
A		INITIAL RELEASE PER D09-004	10MAR2009	DD	RB
B		REVISED PER ECO-13-019865	27DEC2013	DR	RB



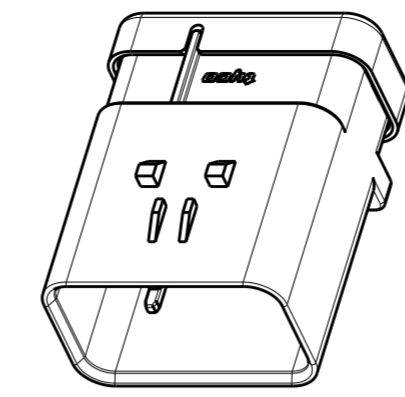
2035560-2  
(KEY B)  
SCALE 2:1



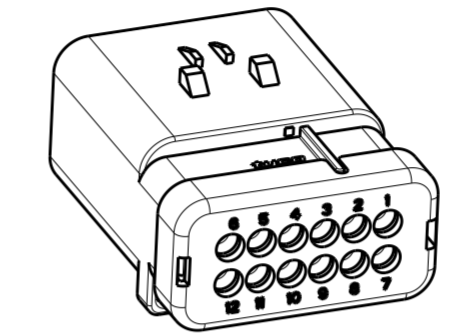
2035560-3  
(KEY C)  
SCALE 2:1



2035560-4  
(KEY D)  
SCALE 2:1

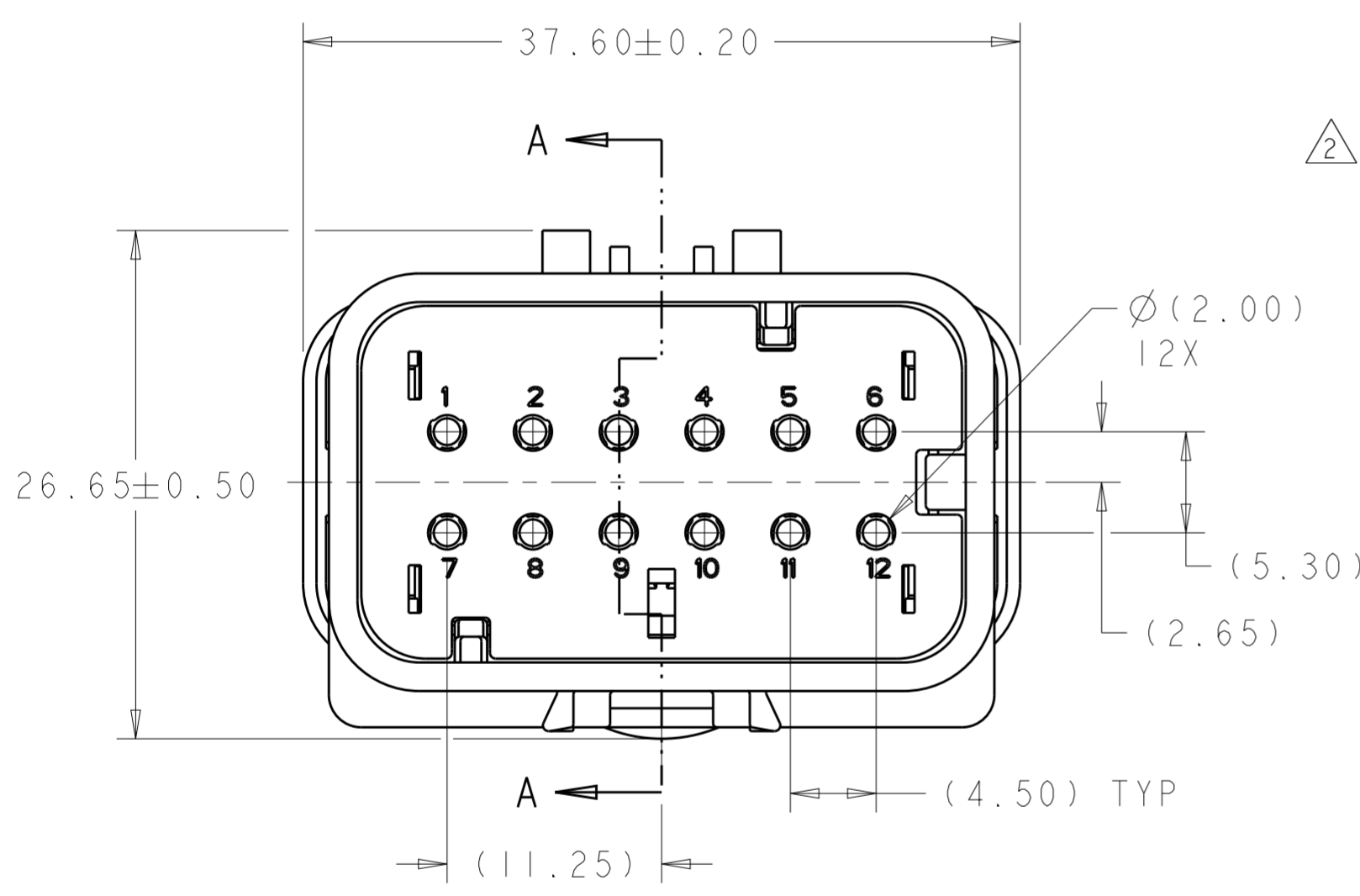


SCALE 1:1

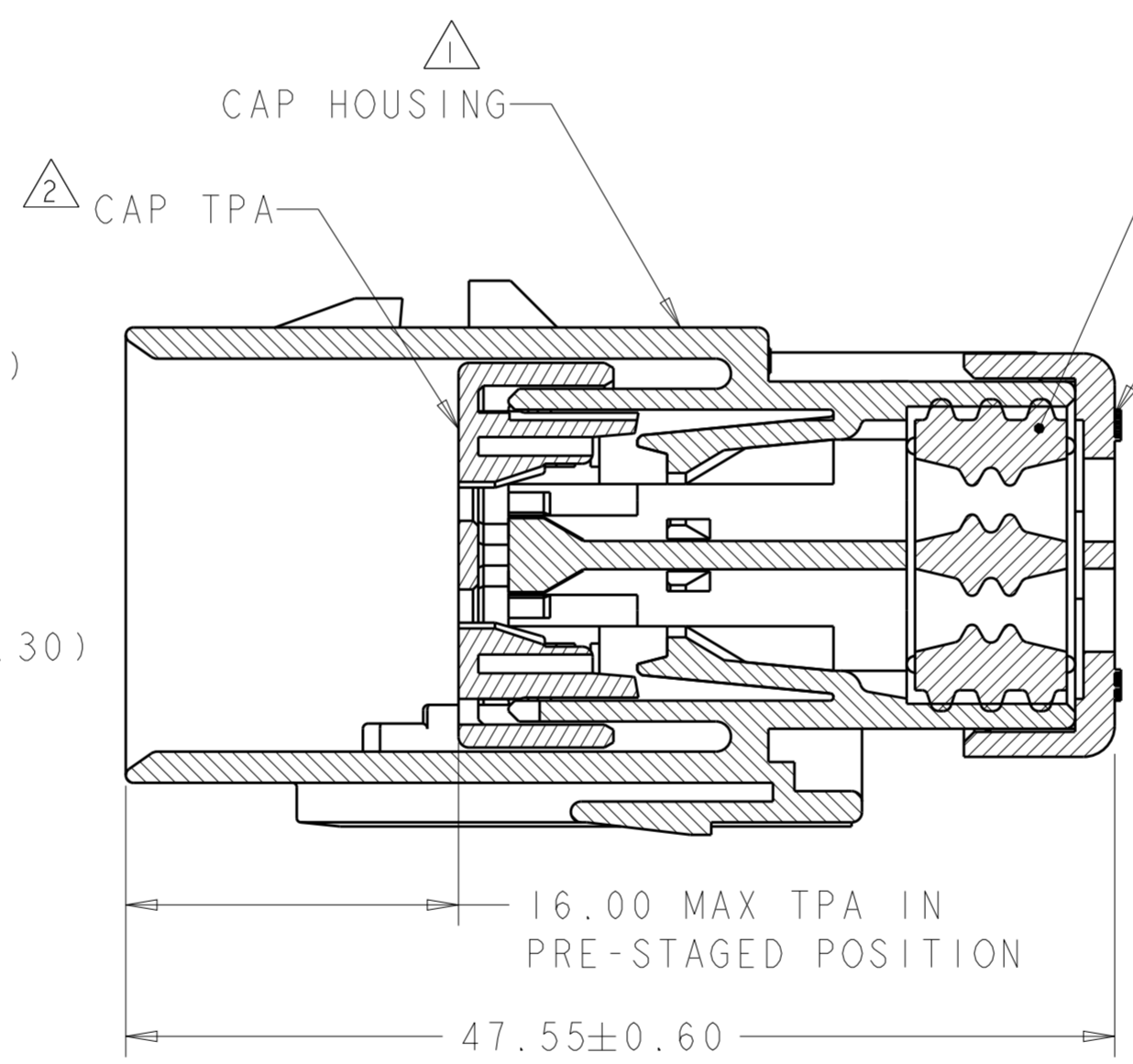


SCALE 1:1

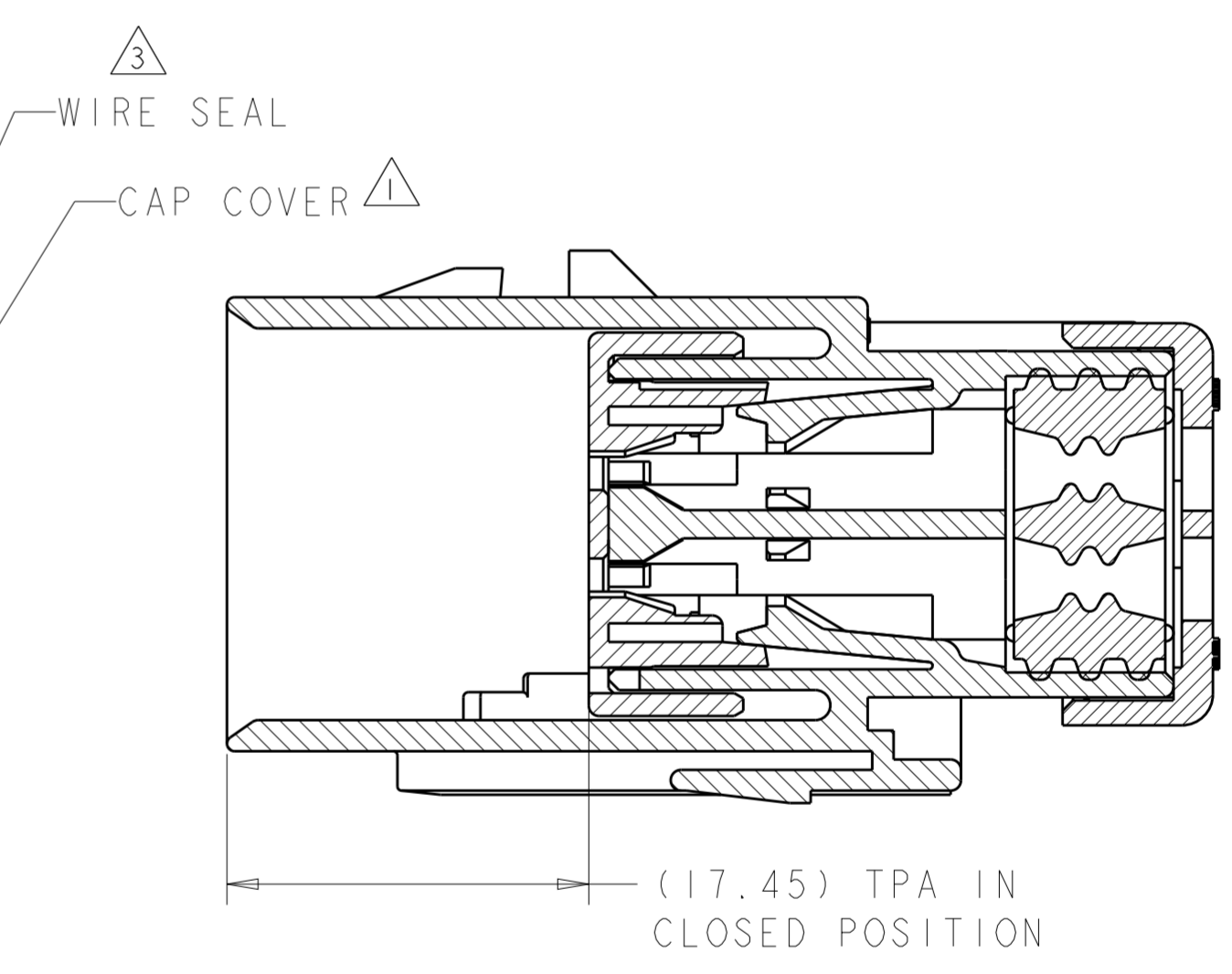
- 1 MATERIAL: 25% GLASS FILLED, NYLON 6/6, VO  
COLOR: NATURAL (BROWN)
- 2 MATERIAL: 20% GLASS FILLED, PBT, VO  
COLOR: (SEE TABLE)
- 3 MATERIAL: SILICONE  
COLOR: GREEN
- 4. RECOMMENDED WIRE DIAMETER RANGE:  
2.18 TO 3.67mm.



2035560-1 SHOWN  
(KEY A)



SECTION A-A



SECTION A-A

TAN	D	2035560-4
BLUE	C	2035560-3
PURPLE	B	2035560-2
ORANGE	A	2035560-1
TPA COLOR	KEY	PART NUMBER

THIS DRAWING IS A CONTROLLED DOCUMENT.		DWN DI DRUMMOND 10FEB2009	TE Connectivity	
DIMENSIONS: mm		CHK R. BALTER 10FEB2009		
TOLERANCES UNLESS OTHERWISE SPECIFIED:		APVD R. BALTER 10FEB2009	NAME CAP ASSEMBLY, 12 POSITION, DUAL ROW, AMPSEAL 16, VO	
0 PLC ±	1 PLC ±	PRODUCT SPEC 108-2184	SIZE 114-13065	RESTRICTED TO
2 PLC ±0.20	3 PLC ±	APPLICATION SPEC	WEIGHT 22.5±1g	
4 PLC ±	ANGLES ±		CUSTOMER DRAWING	
FINISH -			SCALE 2:1	SHEET 1 OF 1

单击下面可查看定价，库存，交付和生命周期等信息

[>>TE Connectivity\(泰科\)](#)