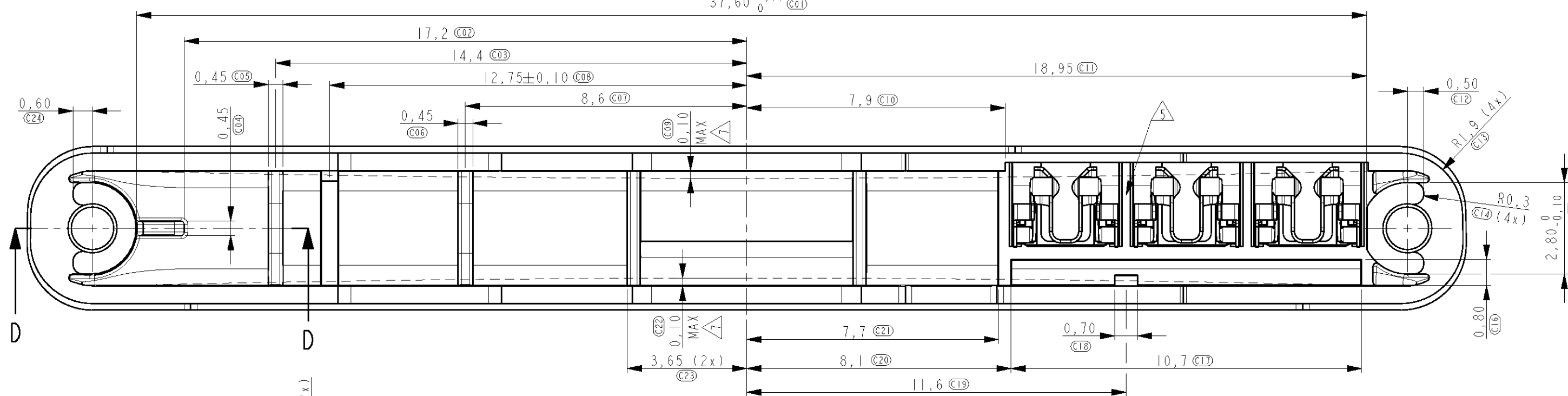
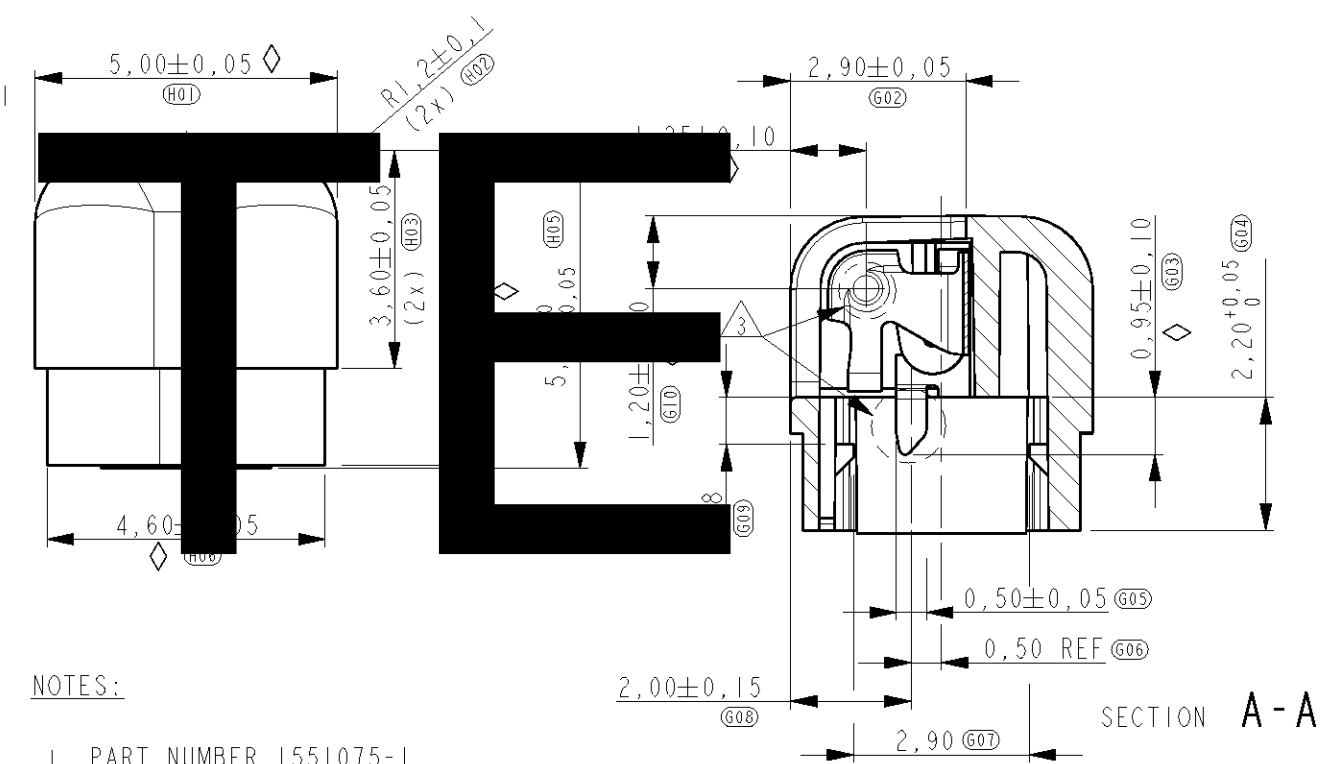
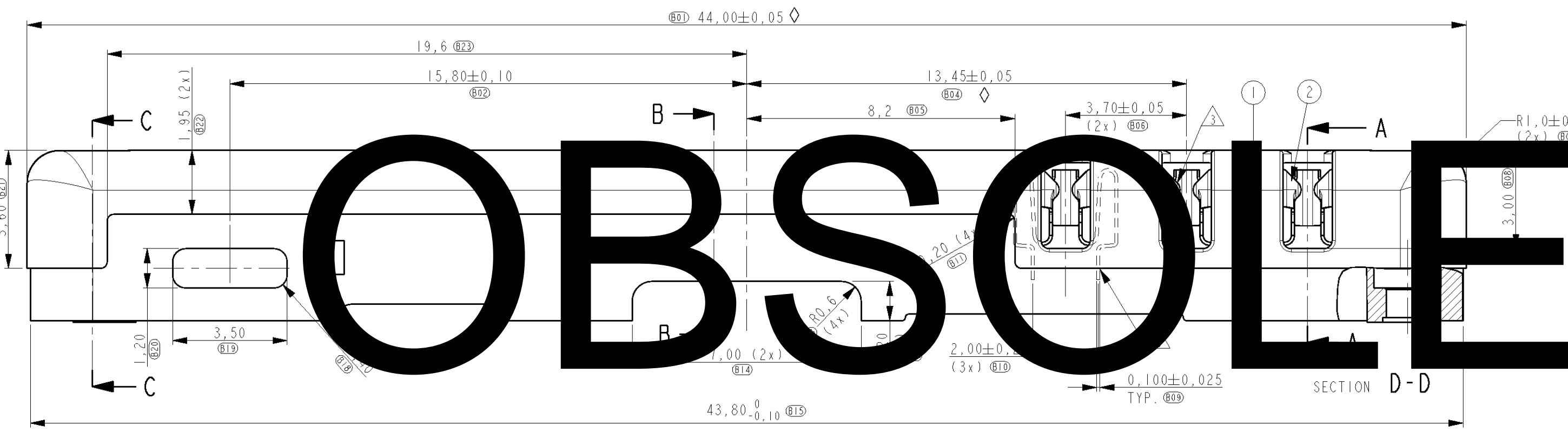
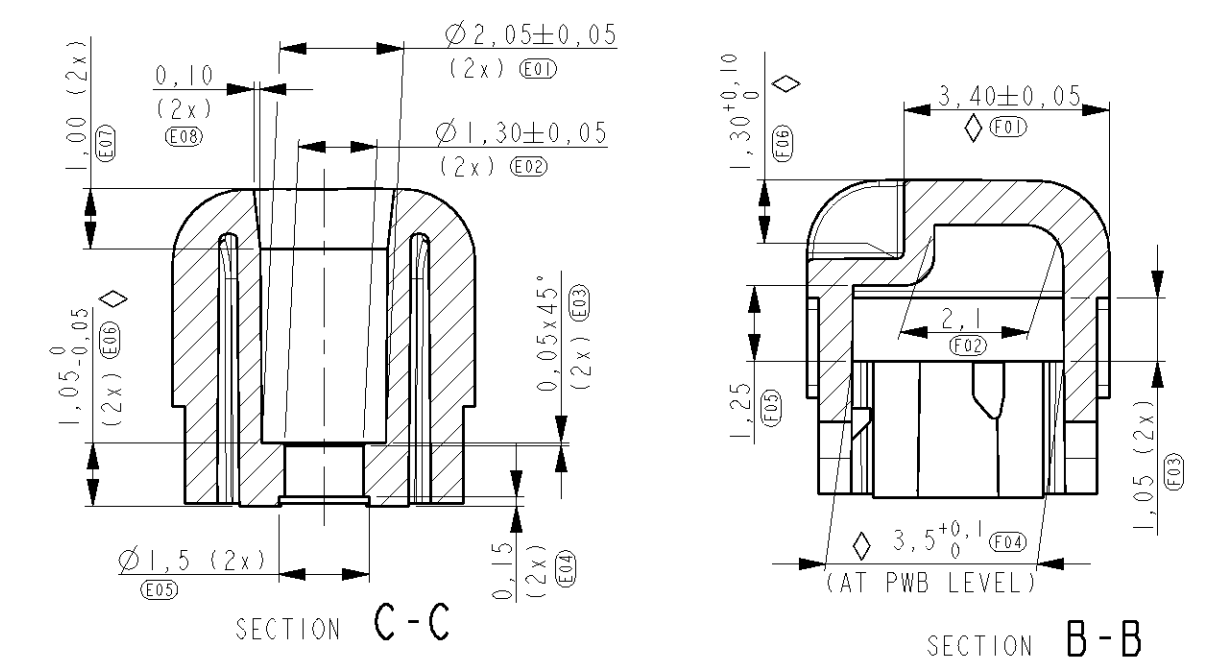
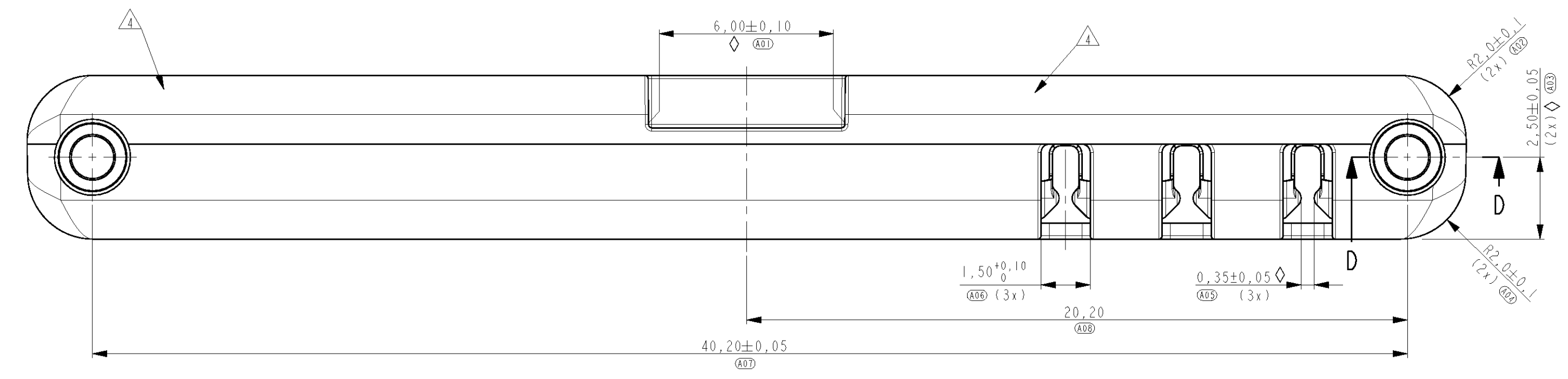


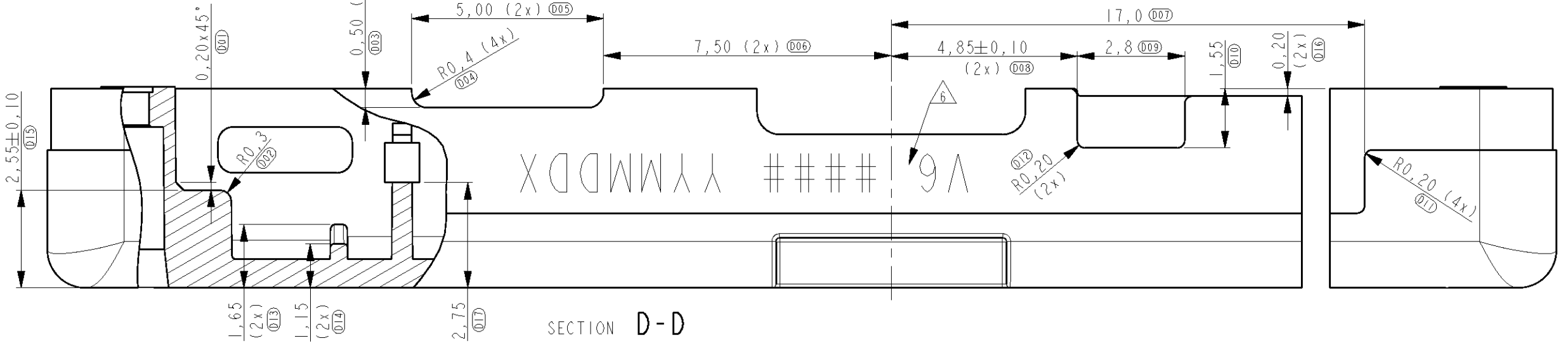
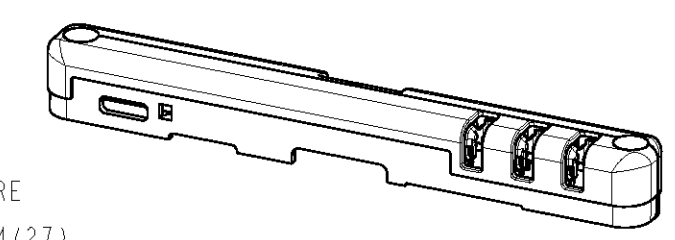
THIS DRAWING IS UNPUBLISHED. RELEASED FOR PUBLICATION  
 © COPYRIGHT - BY TYCO ELECTRONICS CORPORATION. ALL RIGHTS RESERVED.

LOC		DIST		REVISIONS			
P	LTR	DESCRIPTION	DATE	DWN	APVD		
9		DIM A07,A08,C01,C11,D17,E06 CHANGE. V5	09SEP2009	PW	DH		
10		ADD DIM E07, E08. V6	26NOV2009	PW	DH		
A		ECR-10-018708	08SEP2010	PW	DH		



NOTES:

- PART NUMBER 1551075-1.
- DRAWING REPRESENTS PART VERSION "V6".
- PLATING:  
 1. 2µm MIN. NICKEL ALL OVER  
 2. 0.8µm MIN. GOLD ON CONTACT POINTS  
 3. 3.0µm MIN. TIN ON SOLDER AREA
- SURFACE TEXTURE Ra 1.9µm (TOOL TEXTURE SPARK ERODED ACCORDING TO VDI 3400-24/27)  
 COLOUR: BLACK (PANTONE 3U2X).
- MARKING: MOLD CAVITY IDENTIFICATION.
- MARKING: VERSION (V6), PROCESS ID (####), PRODUCTION DATE (YYMMDDX).  
 MARKING NOT IN COSMETIC AREA.
- MAXIMUM WARPAGE, INWARD ONLY.
- HOUSING MOULDED WITH VIRGIN MATERIAL



THIS DRAWING IS A CONTROLLED DOCUMENT FOR TYCO ELECTRONICS CORPORATION. IT IS SUBJECT TO CHANGE AND THE CONTROLLING ENGINEERING ORGANIZATION SHOULD BE CONTACTED FOR THE LATEST REVISION.

DIMENSIONS:	TOLERANCES UNLESS OTHERWISE SPECIFIED:
mm	
0 PLC	±0.2
1 PLC	±0.1
2 PLC	±0.05
3 PLC	±0.05
4 PLC	±
ANGLES	±
MATERIAL	FINISH

DWN	P. Willems	21-JAN-09	TYCO ELECTRONICS NEDERLAND B.V.
CHK	H. d. Otter	21-JAN-09	's-HERTOGENBOSCH, THE NETHERLANDS
APVD	D. Halberstadt	21-JAN-09	
PRODUCT SPEC	108-19276	NAME	RECEPTACLE CONNECTOR
APPLICATION SPEC	114-19088	SIZE	3 POSITION, BP-4L
WEIGHT	618 mg	CAGE CODE	BATTERY BLOCK
CUSTOMER DRAWING		DRAWING NO	114-19088
		RESTRICTED TO	
		SCALE	8:1
		SHEET	OF
		REV	A

单击下面可查看定价，库存，交付和生命周期等信息

[>>TE Connectivity\(泰科\)](#)