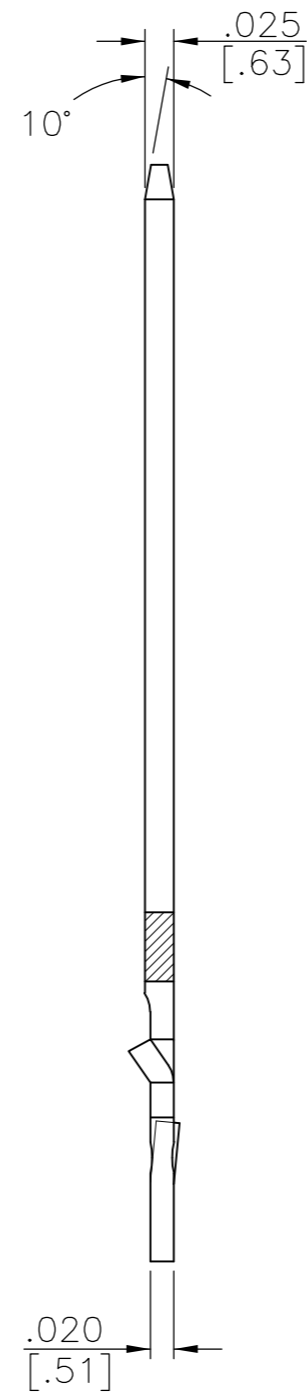
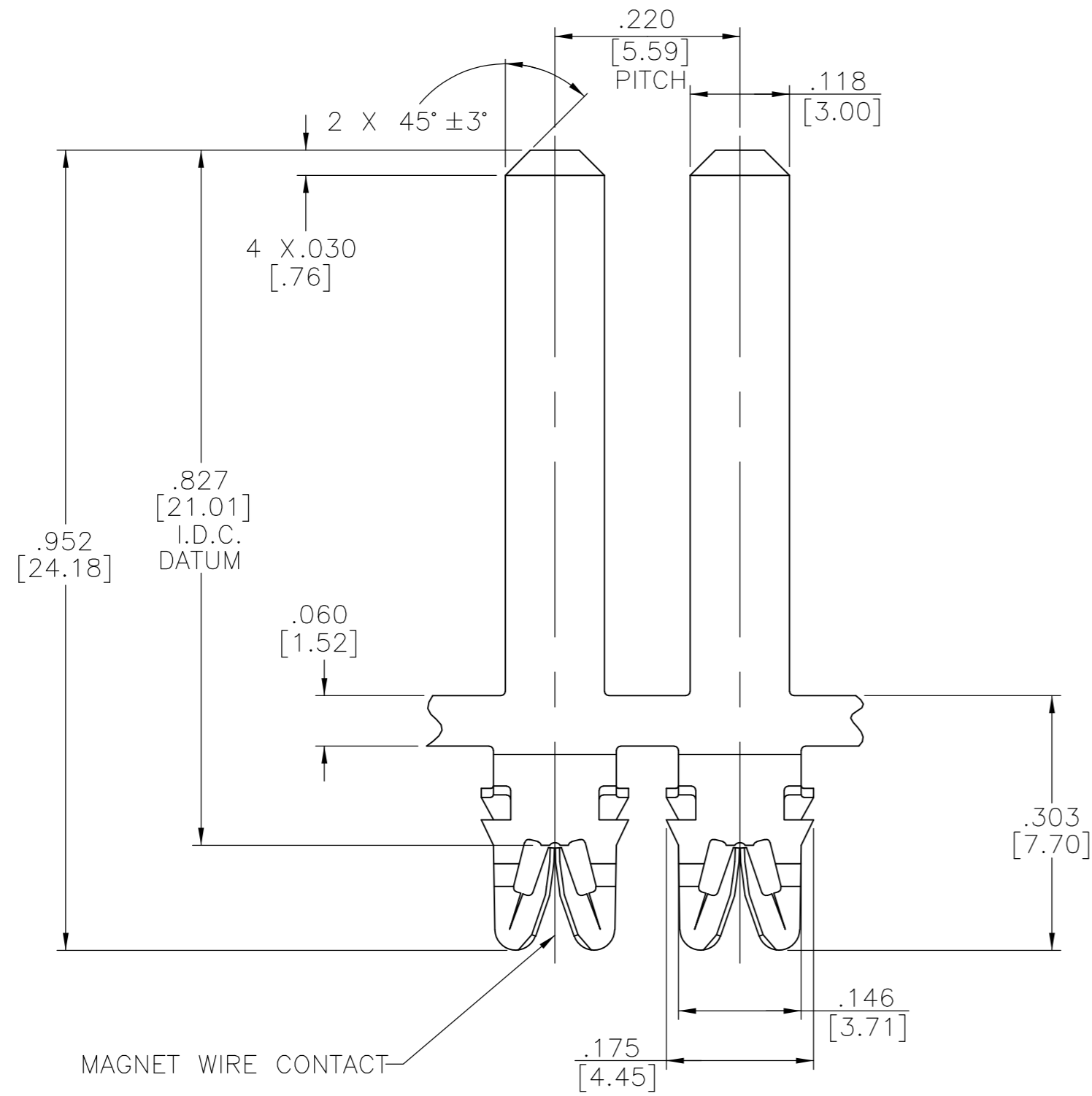
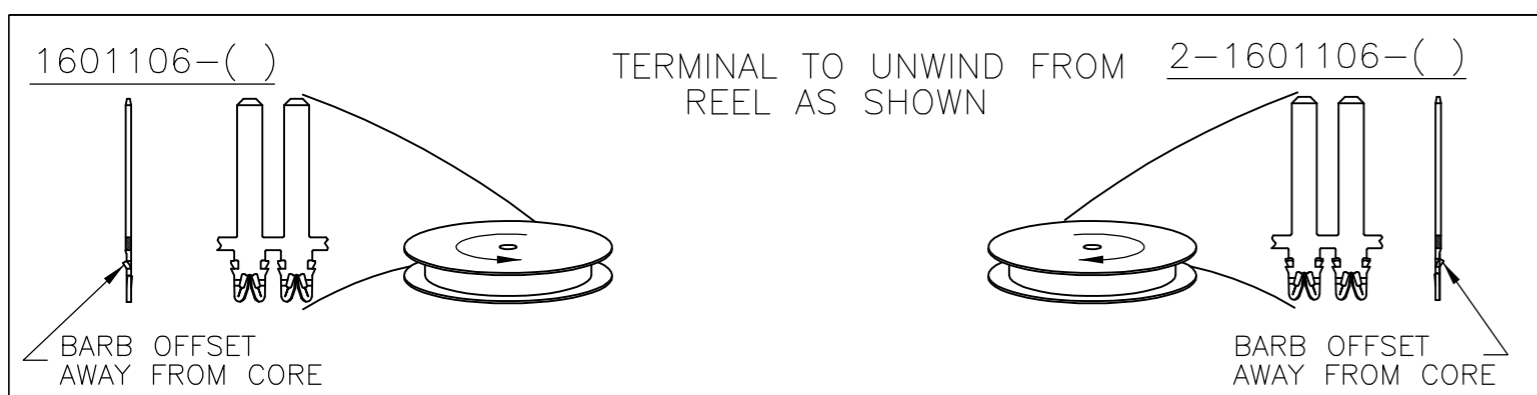
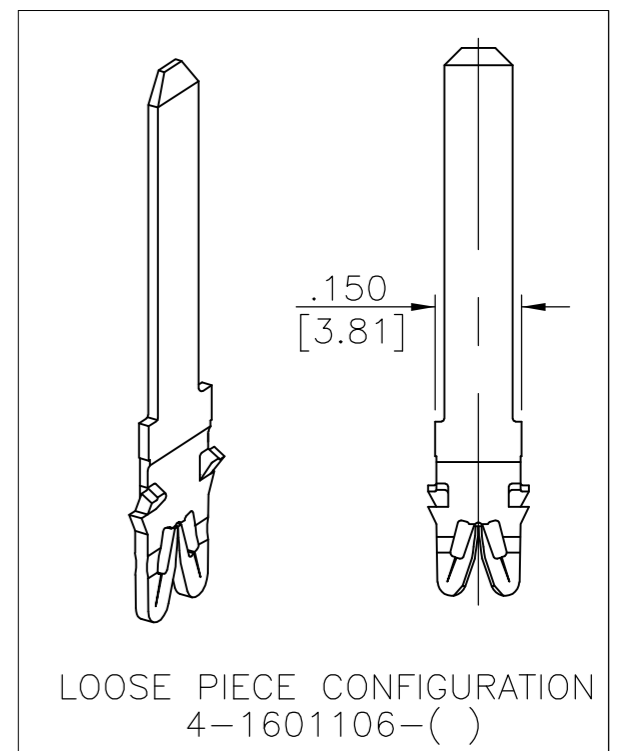


THIS DRAWING IS UNPUBLISHED. RELEASED FOR PUBLICATION
 © COPYRIGHT BY TYCO ELECTRONICS CORPORATION. ALL RIGHTS RESERVED.

LOC		DIST		REVISIONS			
P	LTR	DESCRIPTION		DATE	DWN	APVD	
AF	50	D1		REVISED PER ECR-07-006494	28JUN07	HMR	GJ
		D2		REVISED PER ECO-09-024606	28OCT09	KK	AEG



- 1 SPECIFICATIONS:
MAGNET WIRE #34 - #18 AWG
.006"(0.16mm)-.040"(1.02mm)DIA COPPER.
- 2 POCKET RECOMMENDATION:
FOR POCKET DESIGN SEE #1601475
- △ 3 TERMINAL APPLICATION TO COMPLY WITH
TYCO ELECTRONICS SPECIFICATION
114-13166 FIGURE 12.
- △ 4 OBSOLETE PARTS: OBSOLETE CIS STREAMLINING PER D.RENAUD/D.SINISI



△ 4 OBSOLETE	PRE-TIN PLATE OVER COPPER UNDERPLATE	031-177-014	4-1601106-2
△ 4 OBSOLETE	PRE-TIN PLATE OVER COPPER UNDERPLATE	131-178-014	2-1601106-2
	PRE-TIN PLATE OVER COPPER UNDERPLATE	131-177-014	1601106-2
	FINISH	REFERENCE PART NUMBER	TYCO PART NUMBER
THIS DRAWING IS A CONTROLLED DOCUMENT.		DWN J.WELLER 11JAN2002	Tyco Electronics Corporation Harrisburg, Pa 17105-3608
DIMENSIONS: INCHES		CHK M.FEHER 11JAN2002	
TOLERANCES UNLESS OTHERWISE SPECIFIED:		APVD K.RANDOLPH 11JAN2002	
0 PLC ± - 1 PLC ± - 2 PLC ± .01 [0.25] 3 PLC ± .005 [0.13] 4 PLC ± - ANGLES ± 2°		NAME 108-2085 APPLICATION SPEC △ 3	
MATERIAL BRASS, 3/4 HARD	FINISH SEE TABLE	WEIGHT -	SIZE A2 CAGE CODE 00779 DRAWING NO C=1601106 RESTRICTED TO -
CUSTOMER DRAWING		SCALE 6:1	SHEET 1 OF 1 REV D2

单击下面可查看定价，库存，交付和生命周期等信息

[>>TE Connectivity\(泰科\)](#)