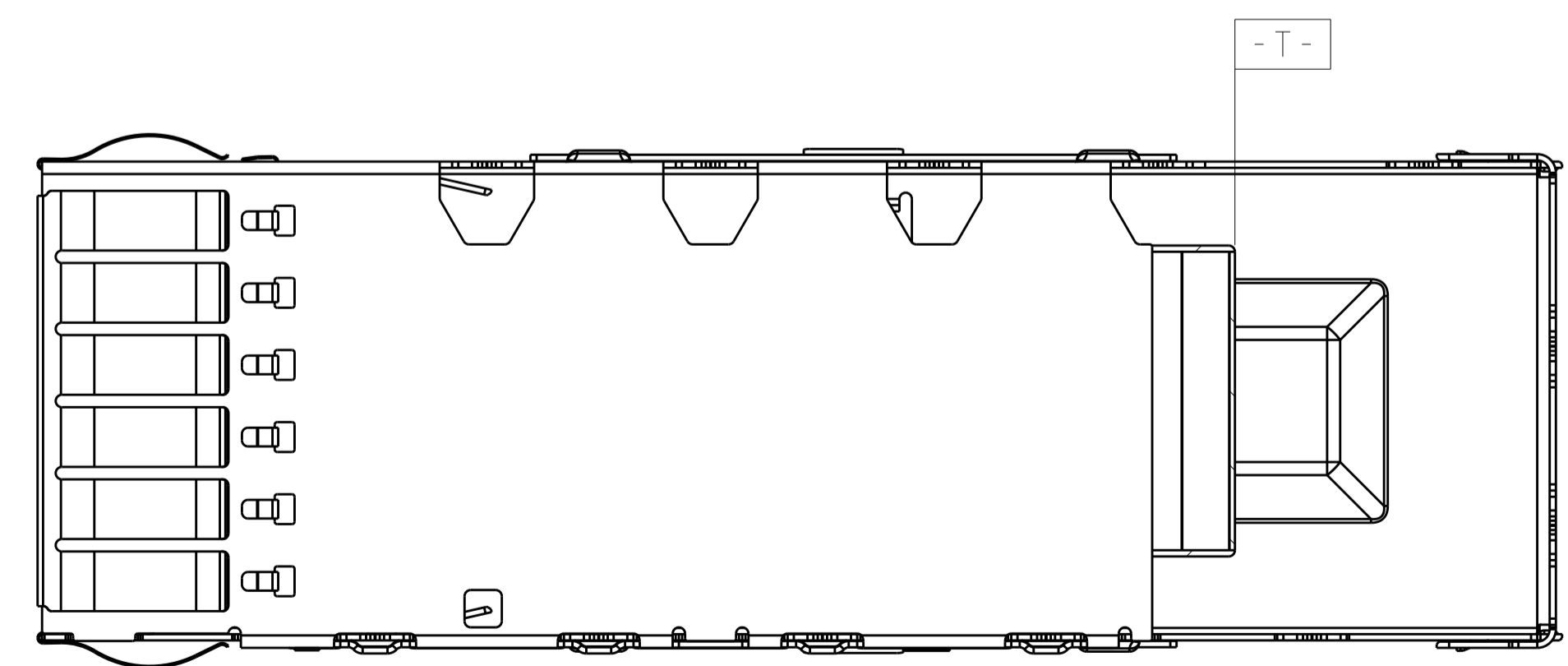
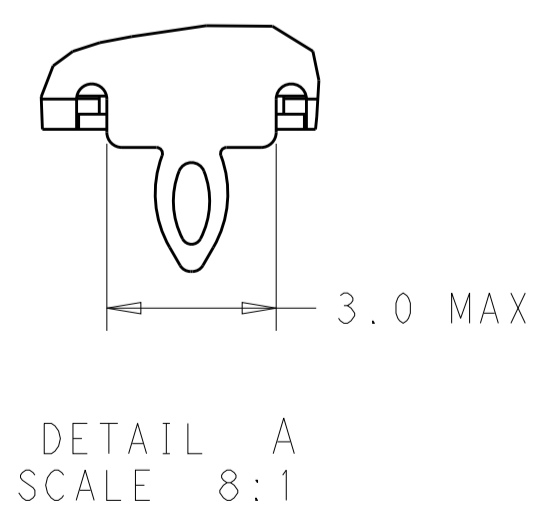
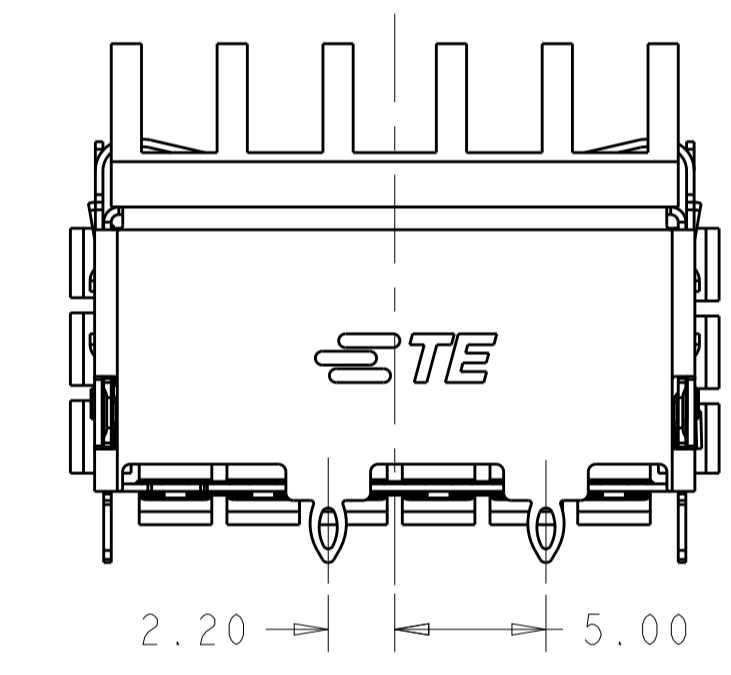
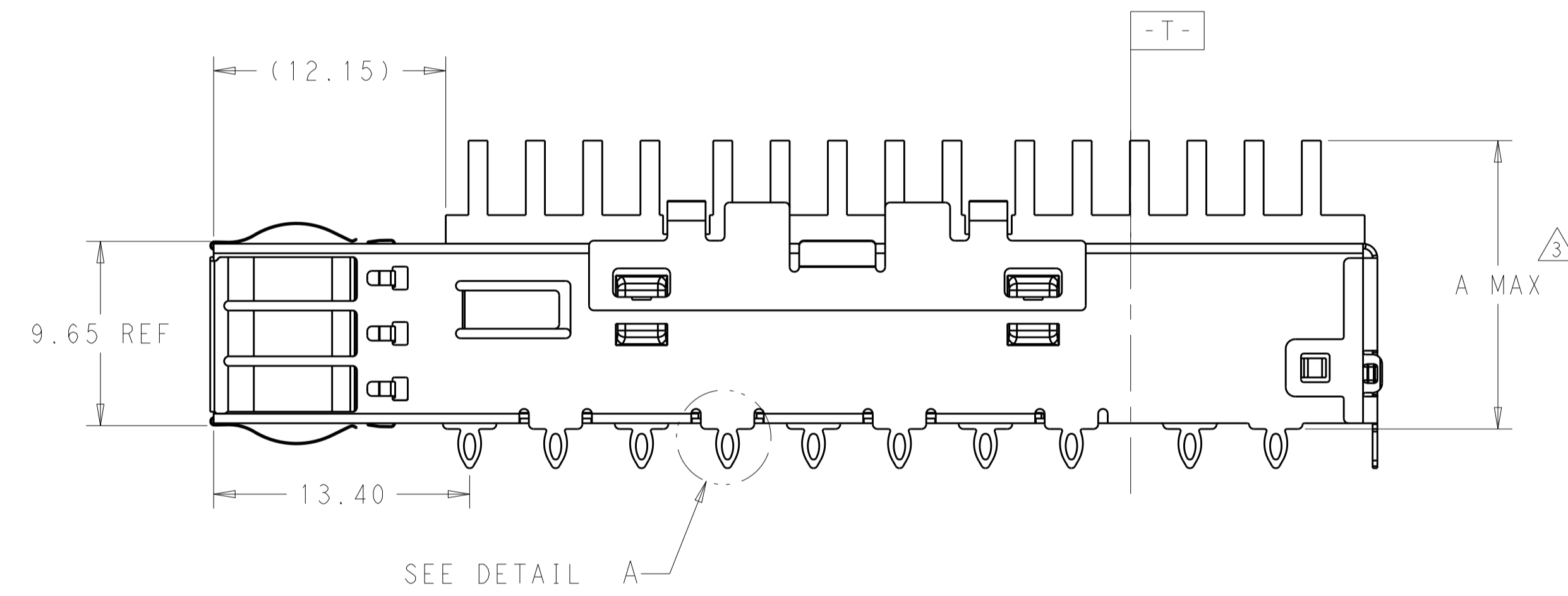
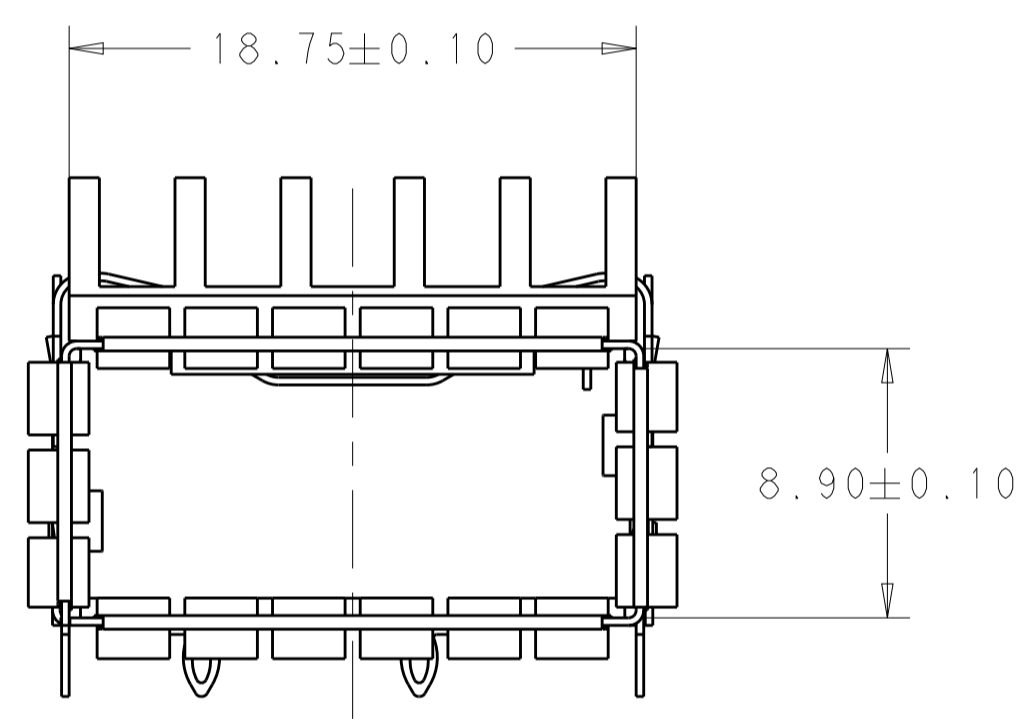
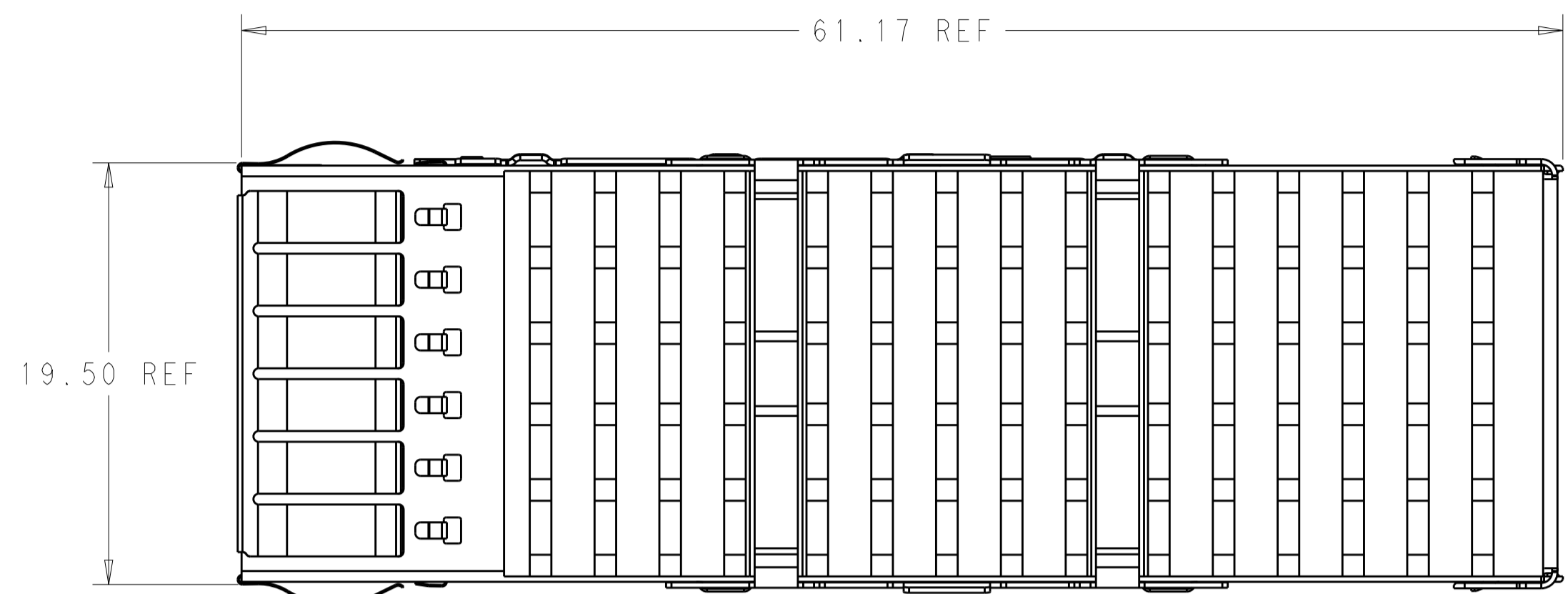
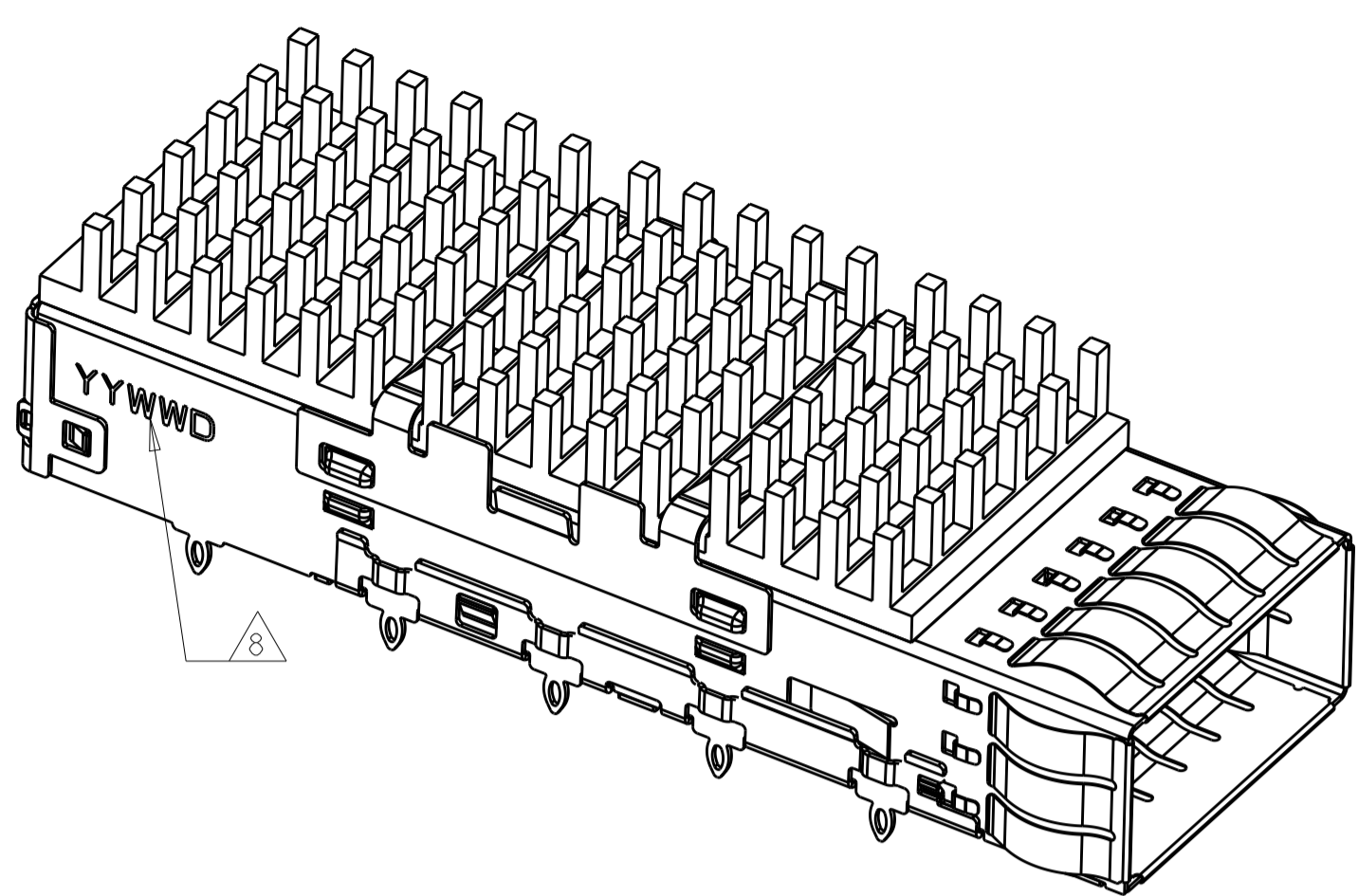


LOC		DIST		REVISIONS			
P	LTN	DESCRIPTION	DATE	OWN	APVD		
G		REVISED PER ECO-20-015173	26OCT2020	JY	SH		



- MATERIAL:
 CAGE MATERIAL : 0.25 THICK NICKEL SILVER.
 SPRING MATERIAL: COPPER ALLOY
 HEAT SINK MATERIAL: ALUMINUM
 CLIP MATERIAL: STAINLESS STEEL
- FINISH:
 SPRING: NICKEL PLATING
 HEAT SINK: BLACK ANODIZE
- DIMENSION APPLIES WITH MODULE INSTALLED IN THE CAGE TO TOP OF HEAT SINK.
- REFERENCE APPLICATION SPEC 114-32023 FOR RECOMMENDED DRILL HOLE DIAMETER AND PLATING THICKNESS.
- DATUM AND BASIC DIMENSIONS ESTABLISHED BY CUSTOMERS.
- MINIMUM PC BOARD THICKNESS : SINGLES SIDED: 1.57 MIN
 DOUBLE SIDED: 3.00 MIN
- DATUM -A- IS TOP SURFACE OF THE HOST BOARD.
- DATE CODE (YYWW) MARKED APPROXIMATELY AS SHOWN
- MATES WITH QSFP28 MSA COMPATIBLE TRANSCEIVER.

13.7	2	WITH	PCI	5-2170704-1
12.6	1	WITHOUT	CUSTOMIZED	1-2170704-7
12.6	2	WITHOUT	CUSTOMIZED	1-2170704-6
19.0	1	WITHOUT	CUSTOMIZED	1-2170704-5
19.0	0	WITHOUT	CUSTOMIZED	1-2170704-4
13.7	2	WITHOUT	CUSTOMIZED	1-2170704-3
13.7	2	WITHOUT	CUSTOMIZED	1-2170704-2
13.7	2	WITHOUT	PCI	1-2170704-1
19.0	2	WITHOUT	CUSTOMIZED	1-2170704-0
23.0	1	WITHOUT	NETWORKING	2170704-9
16.0	1	WITHOUT	SAN	2170704-8
13.7	1	WITHOUT	PCI	2170704-7
23.0	0	WITHOUT	NETWORKING	2170704-6
16.0	0	WITHOUT	SAN	2170704-5
13.7	0	WITHOUT	PCI	2170704-4
23.0	2	WITHOUT	NETWORKING	2170704-3
16.0	2	WITHOUT	SAN	2170704-2
13.7	2	WITHOUT	PCI	2170704-1
DIM A	#	INSULATING TAPE OPTION	APPLICATION	PART NUMBER

2170704-2 AS SHOWN

THIS DRAWING IS A CONTROLLED DOCUMENT. DWG: JASON YANG 23SEP2013
 CHK: SEAN HAN 23SEP2013

STE TE Connectivity

NAME: CAGE ASSEMBLY, QSFP28, THRU BEZEL WITH EMI SPRING FINGER HEAT SINK

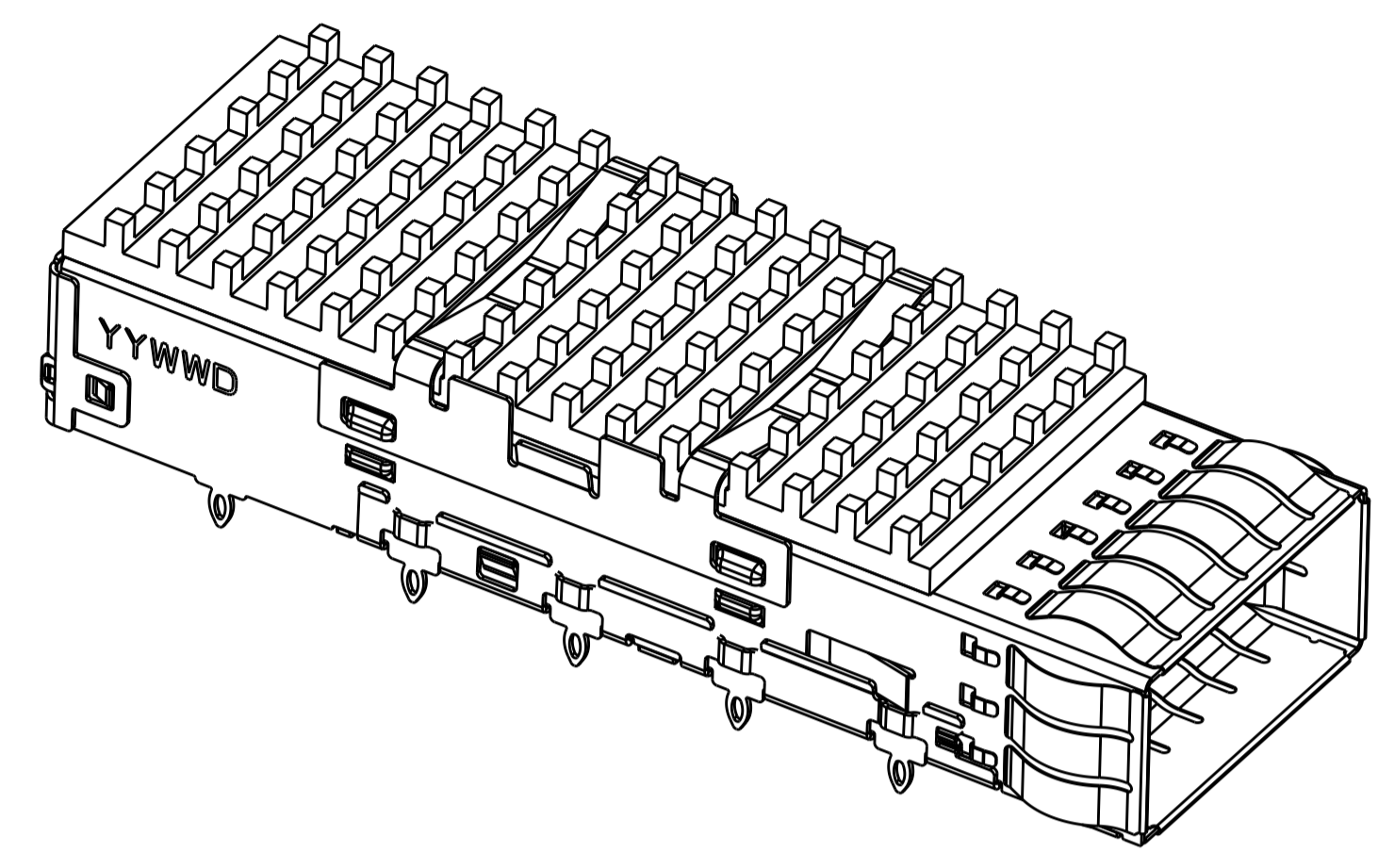
PRODUCT SPEC: 108-19428
 APPLICATION SPEC: 114-32023

SIZE: A1 CAGE CODE: 00779 DRAWING NO: 2170704
 WEIGHT: -
 MATERIAL: -
 FINISH: -

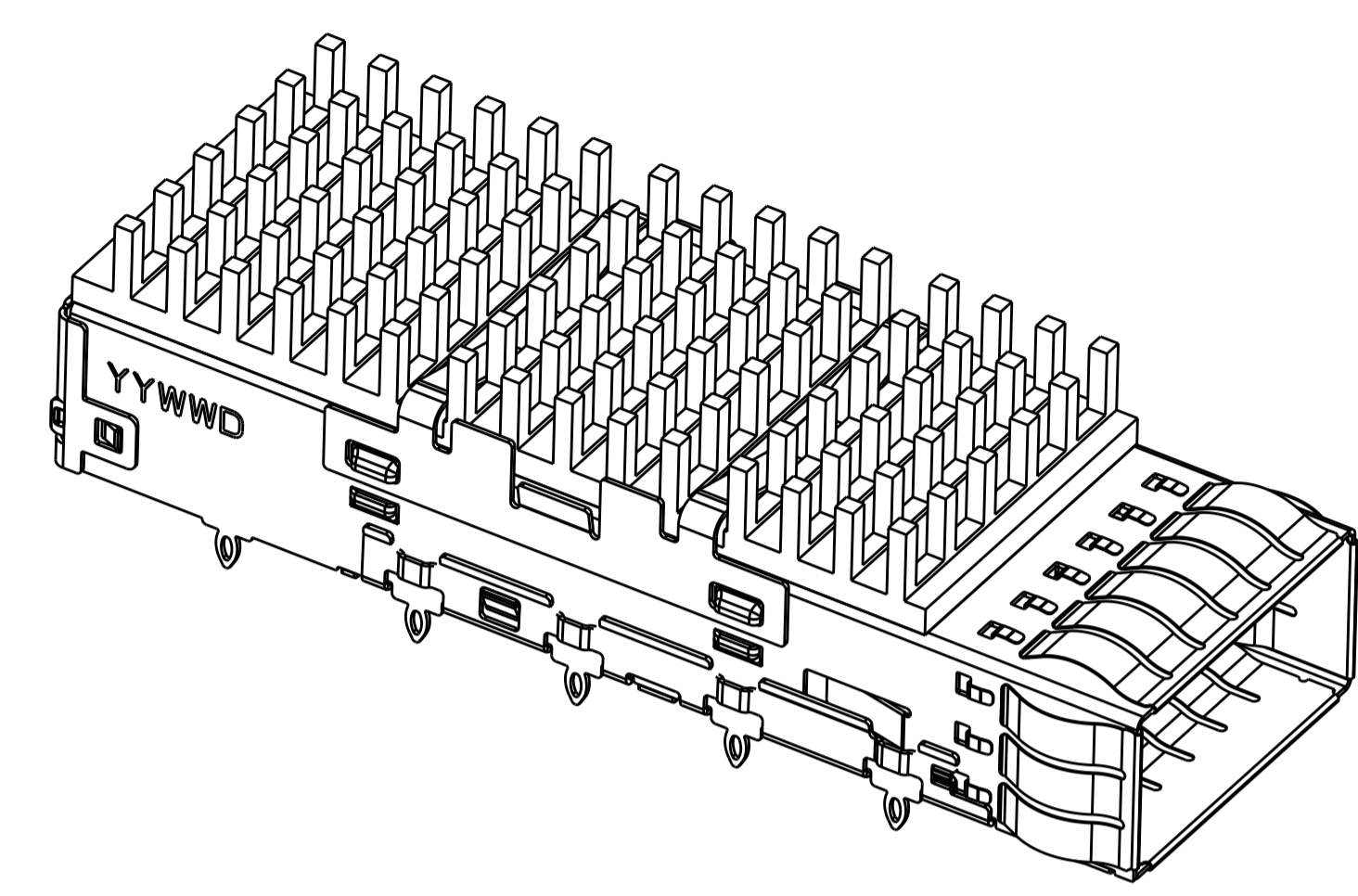
CUSTOMER DRAWING SCALE: 2:1 SHEET 1 OF 8 REV G

LOC		DIST		REVISIONS			
				REV	DATE	BY	APPV
-	-	-	-	-	-	-	-
-	-	-	-	-	SEE SHEET 1	-	-

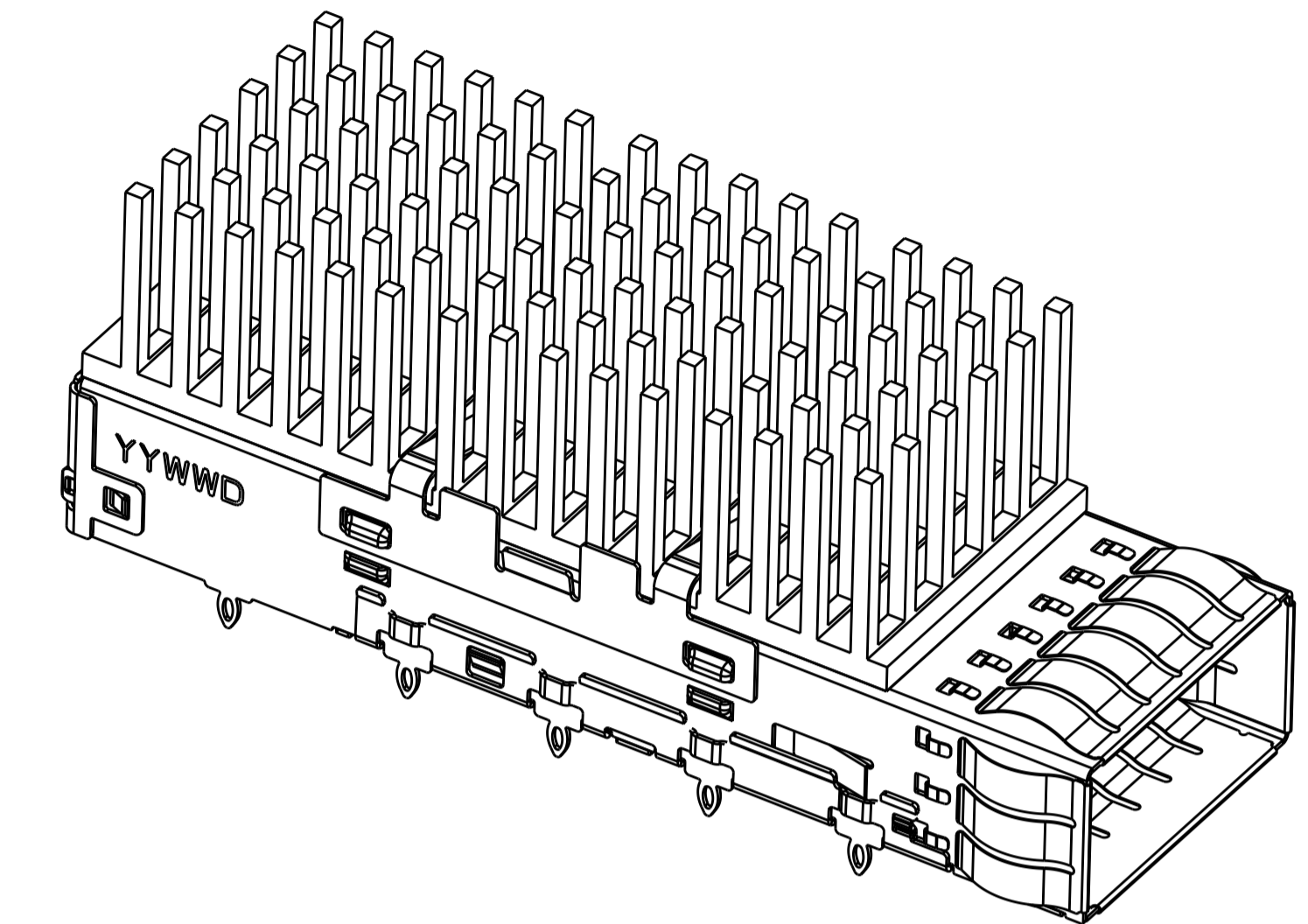
HEAT SINK OPTIONS



PCI HEAT SINK
SCALE 3:1

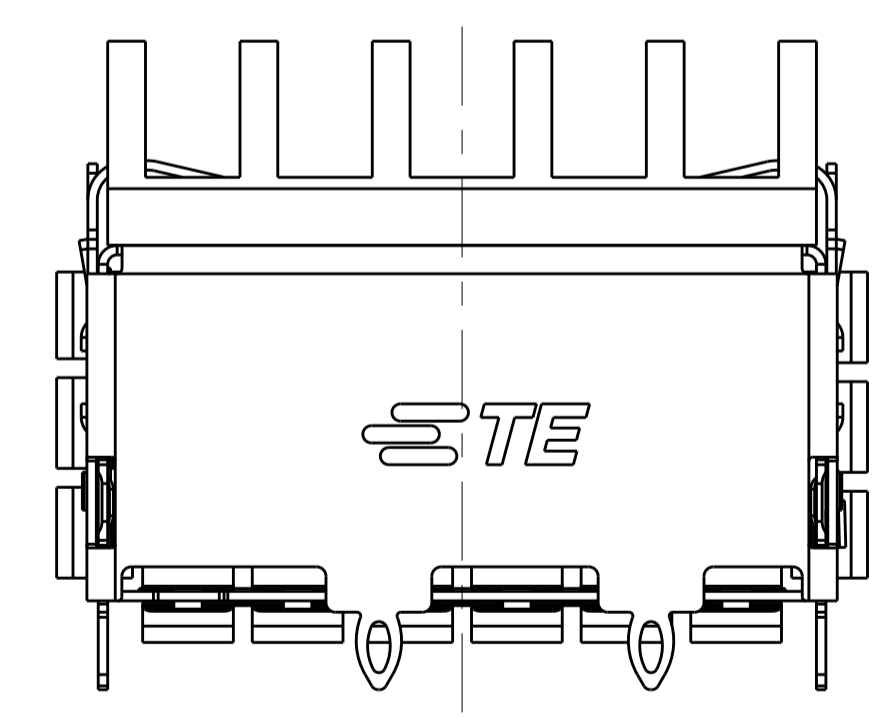


SAN HEAT SINK
SCALE 3:1

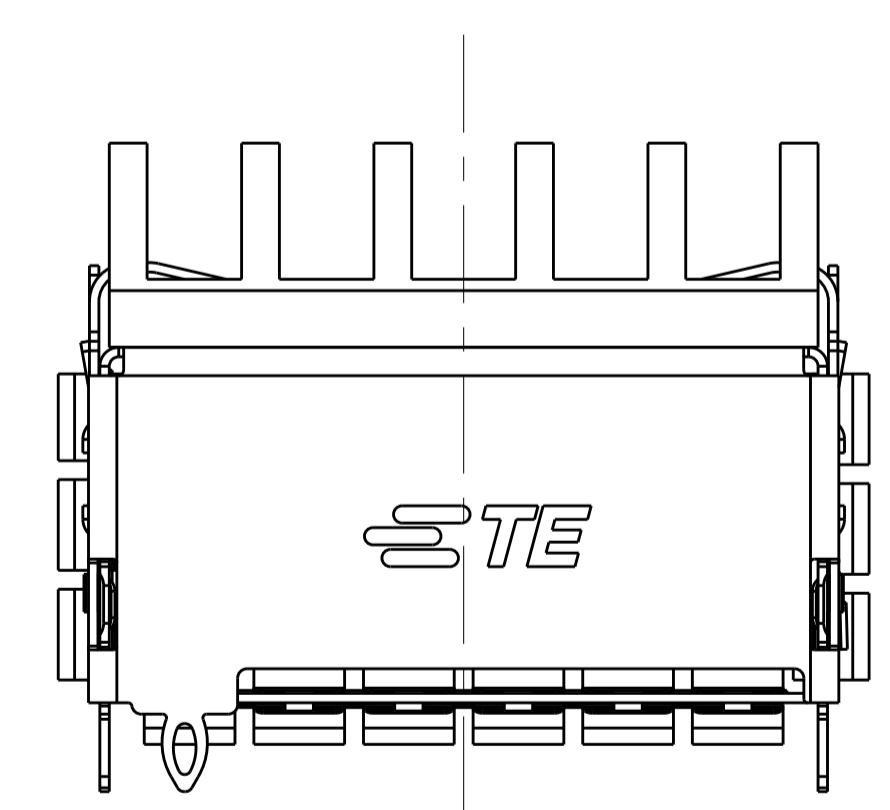


NETWORKING HEAT SINK
SCALE 3:1

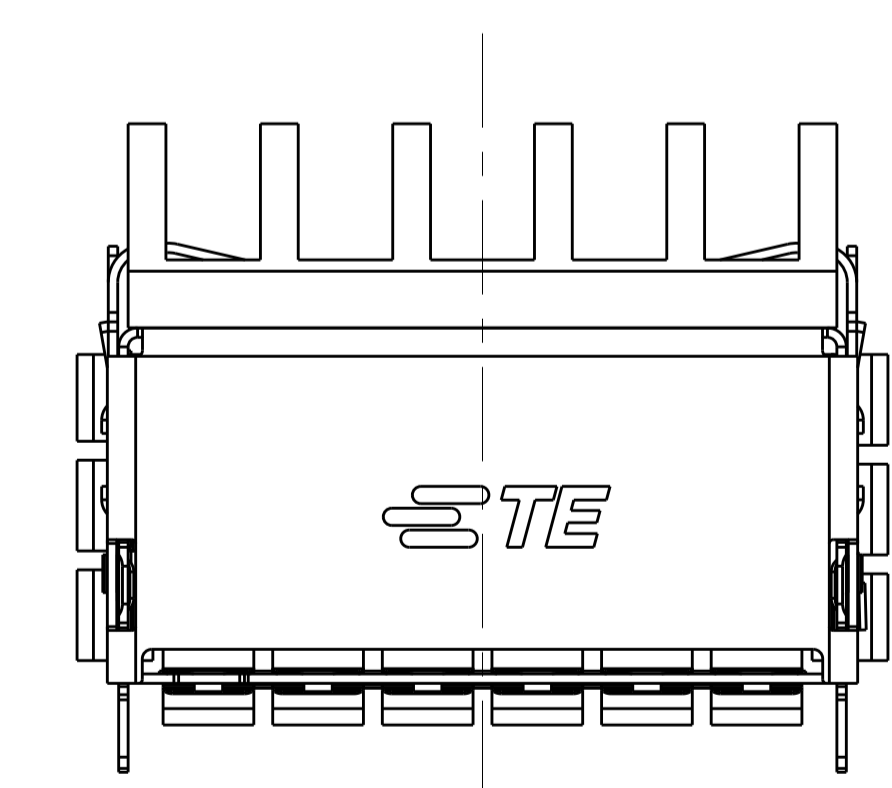
OF REAR LEGS OPTIONS



2 REAR LEGS
SCALE 5:1



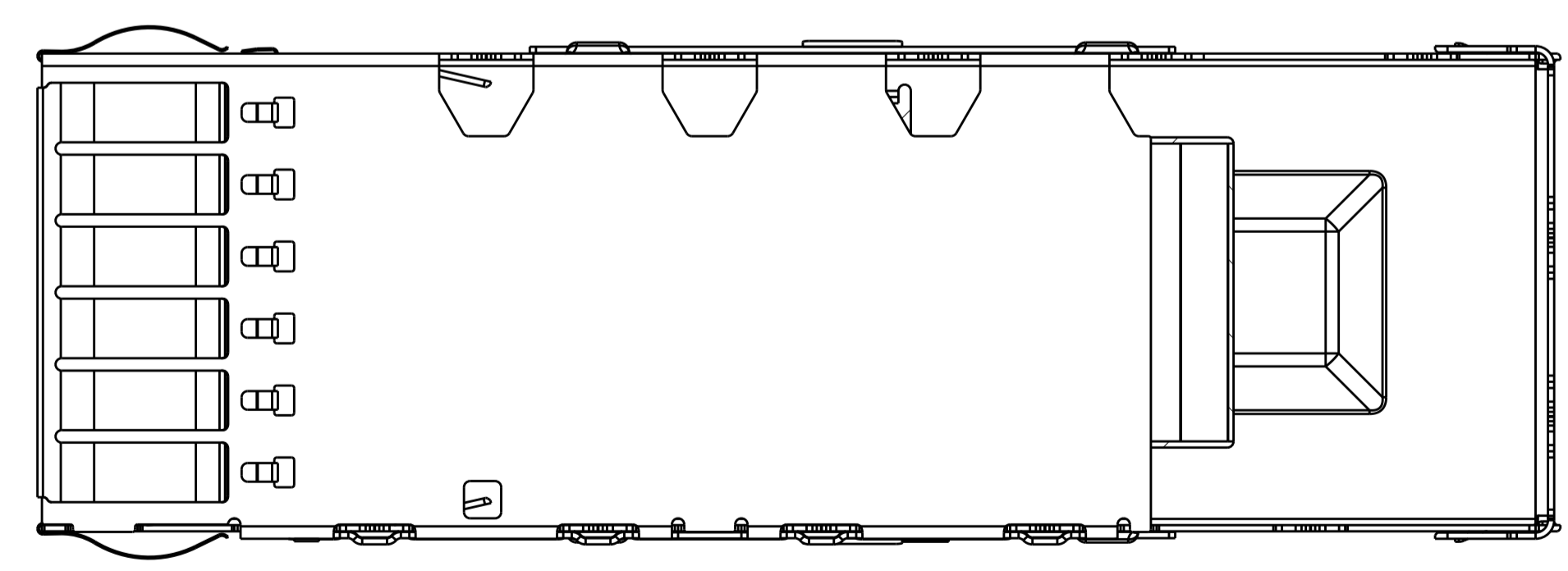
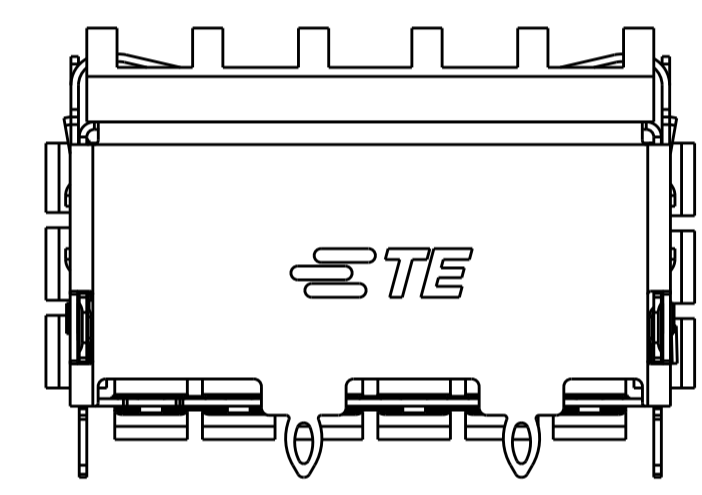
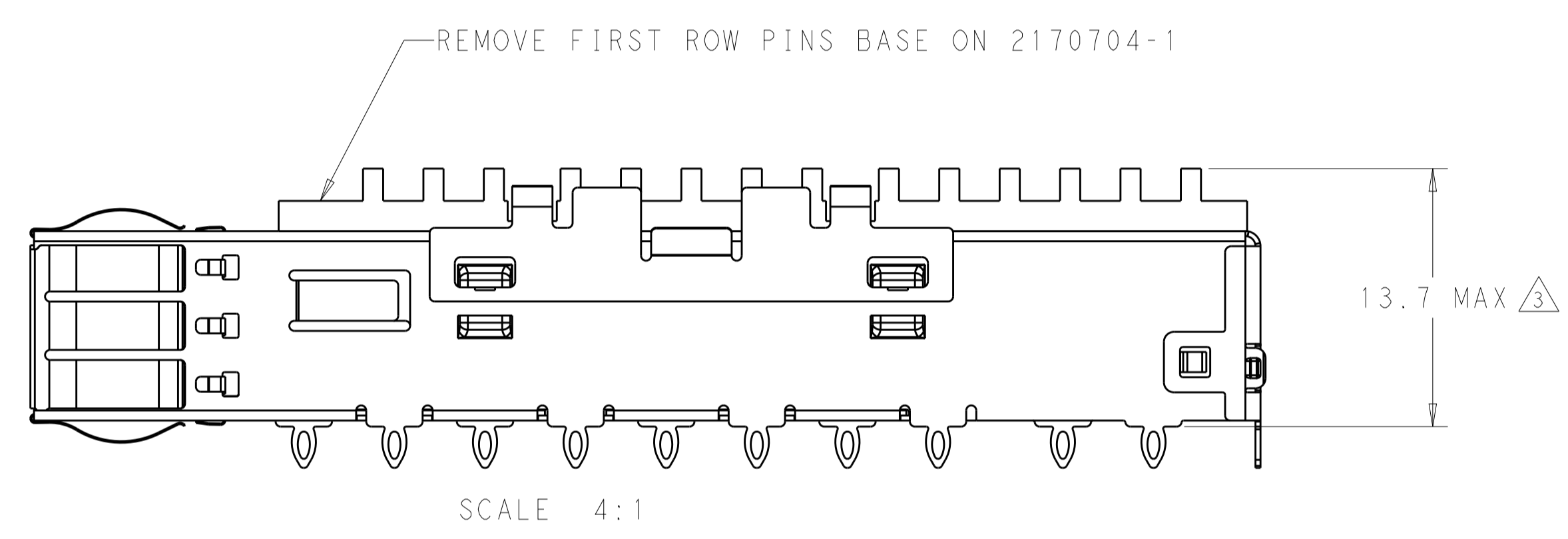
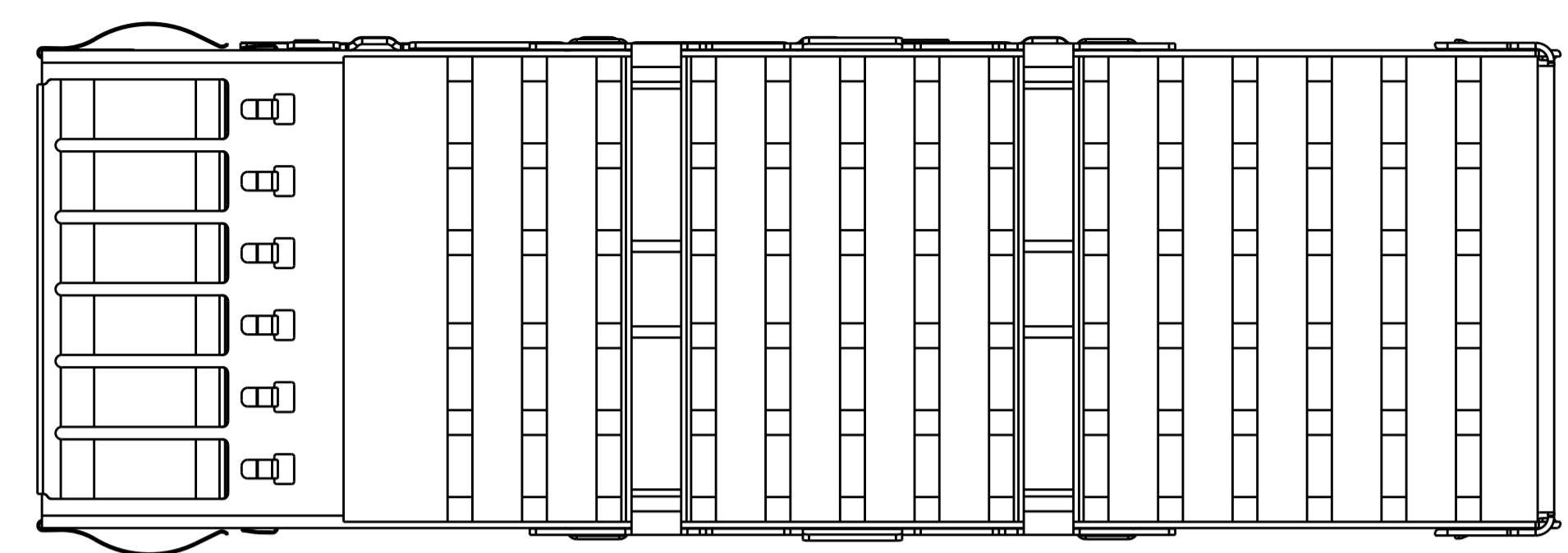
1 REAR LEG
SCALE 5:1



0 REAR LEG
SCALE 5:1

THIS DRAWING IS A CONTROLLED DOCUMENT.		OWN: JASON YANG 23SEP2013	TE Connectivity
		CHK: SEAN HAN 23SEP2013	
DIMENSIONS:		NAME: CAGE ASSEMBLY, QSFP28, THRU BEZEL WITH EMI SPRING FINGER HEAT SINK	
mm		PRODUCT SPEC: 108-19428	
0 PLC ±0.25 1 PLC ±0.25 2 PLC ±0.20 3 PLC ±0.100 4 PLC ±" ANGLES ±" FINISH ±"		APPLICATION SPEC: 114-32023	
MATERIAL:		WEIGHT:	RESTRICTED TO:
		CUSTOMER DRAWING	A100779C=2170704
		SCALE: 2:1	SHEET 2 OF 8 REV G

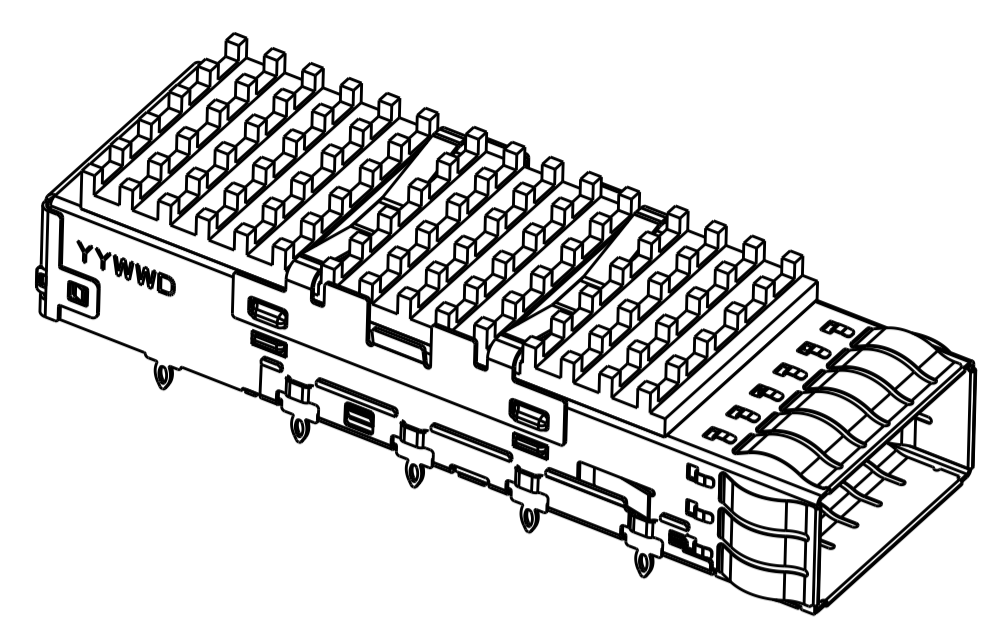
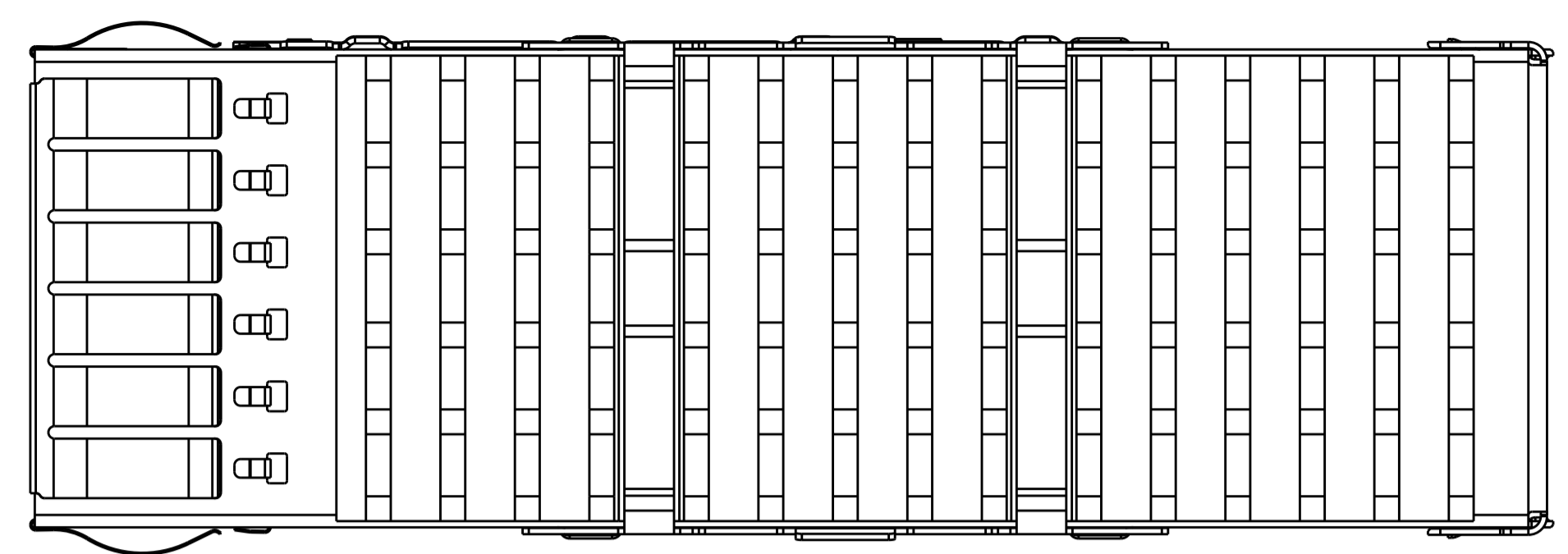
LOC		DIST		REVISIONS			
P	LTN	DESCRIPTION	DATE	DWN	APVD		
-	-	SEE SHEET 1	-	-	-		



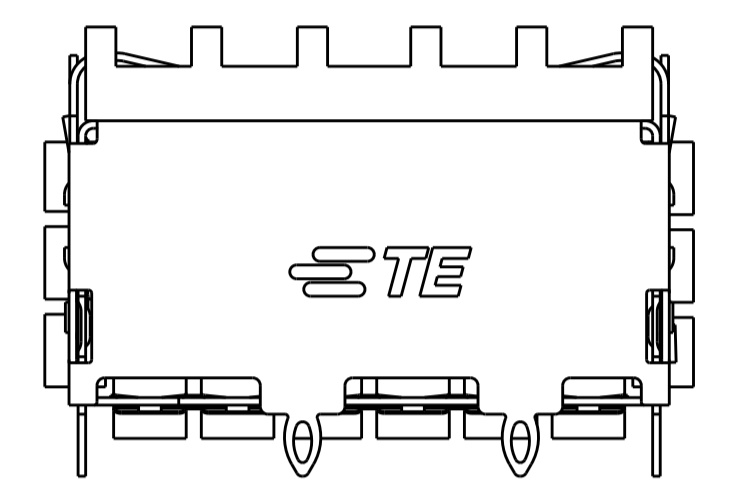
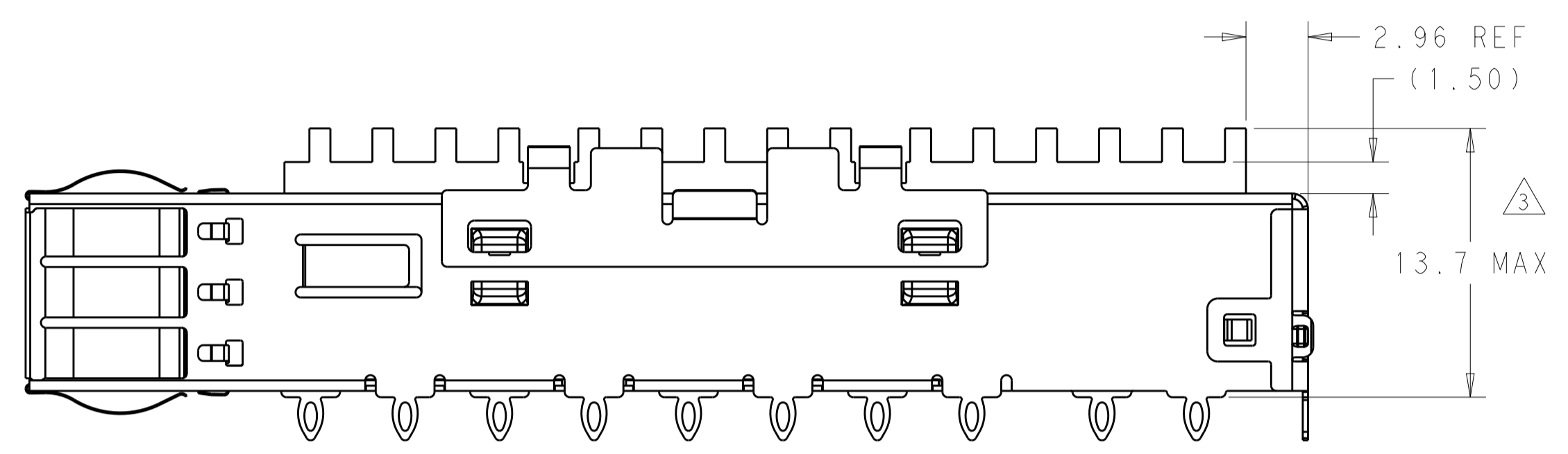
1-2170704-2 ARE AS SHOWN

THIS DRAWING IS A CONTROLLED DOCUMENT.		DWN: JASON YANG 23SEP2013	TE Connectivity
		CHK: SEAN HAN 23SEP2013	
DIMENSIONS:		NAME: CAGE ASSEMBLY, QSP28, THRU BEZEL WITH EMI SPRING FINGER HEAT SINK	
mm	TOLERANCES UNLESS OTHERWISE SPECIFIED:	PRODUCT SPEC: 108-19428	RESTRICTED TO:
	0 PLC ±0.25	APPLICATION SPEC: 114-32023	SIZE: A1
	1 PLC ±0.25	WEIGHT: -	CAGE CODE: 00779
	2 PLC ±0.20	CUSTOMER DRAWING	DRAWING NO: C=2170704
	3 PLC ±0.100	SCALE: 2:1	SHEET: 3 OF 8
	4 PLC ±		REV: G
	ANGLES ±°		
MATERIAL: -	FINISH: -		

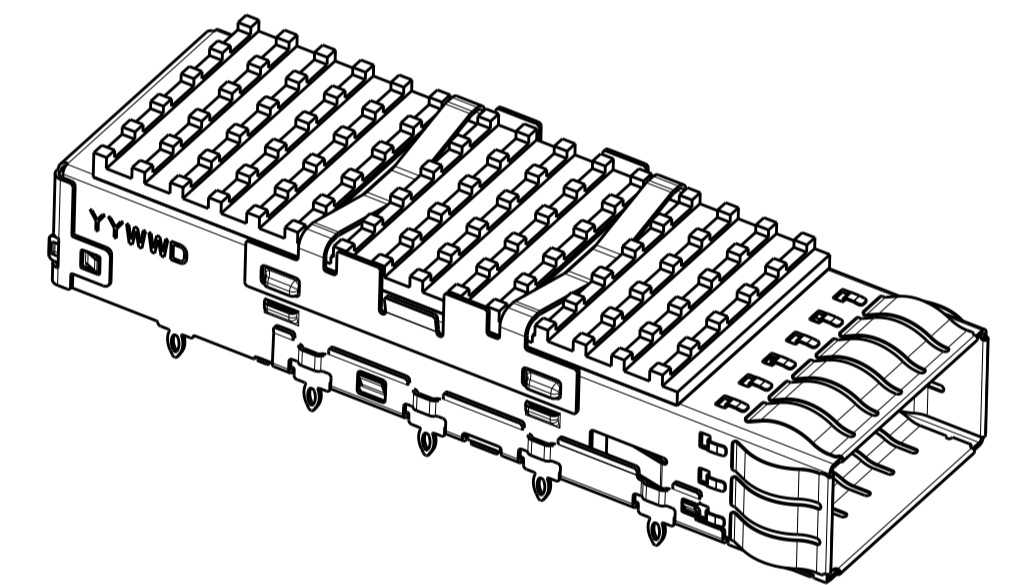
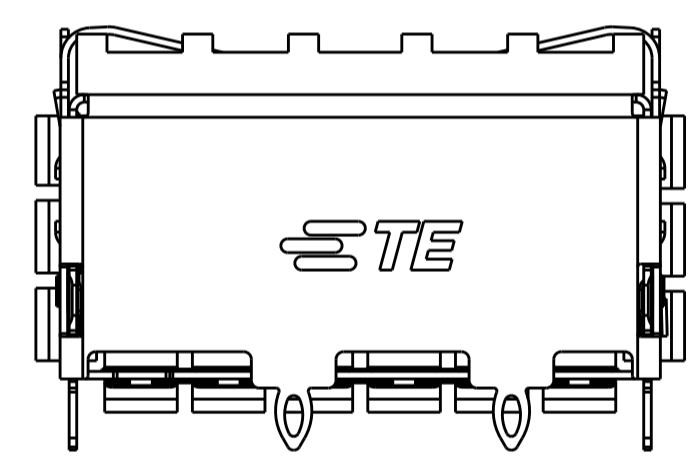
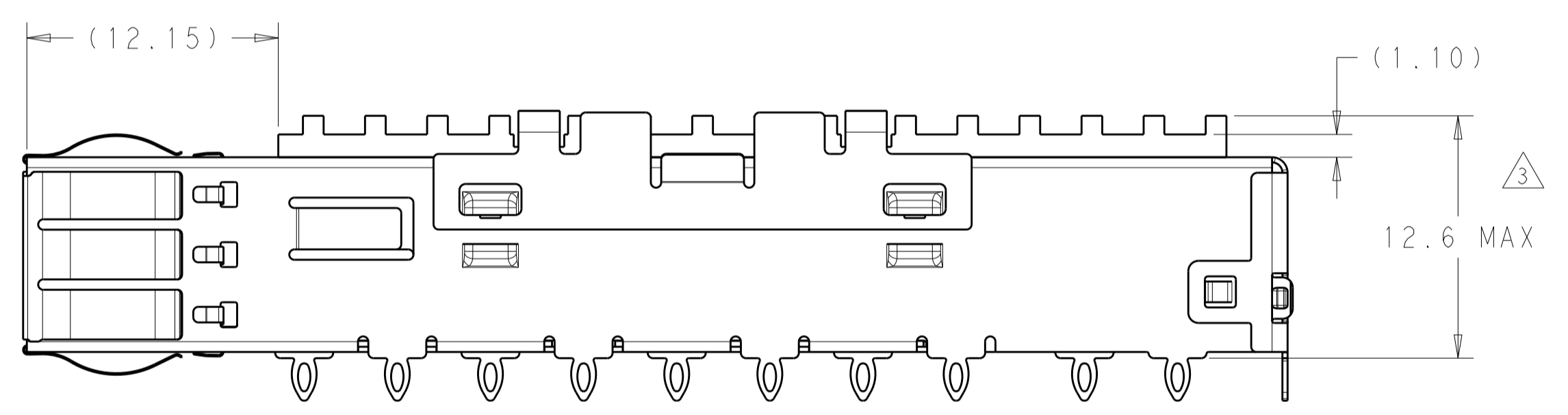
REVISONS		DATE	OWN	APVD
LOC	DIST			



1-2170704-3 ARE AS SHOWN
SCALE 2:1

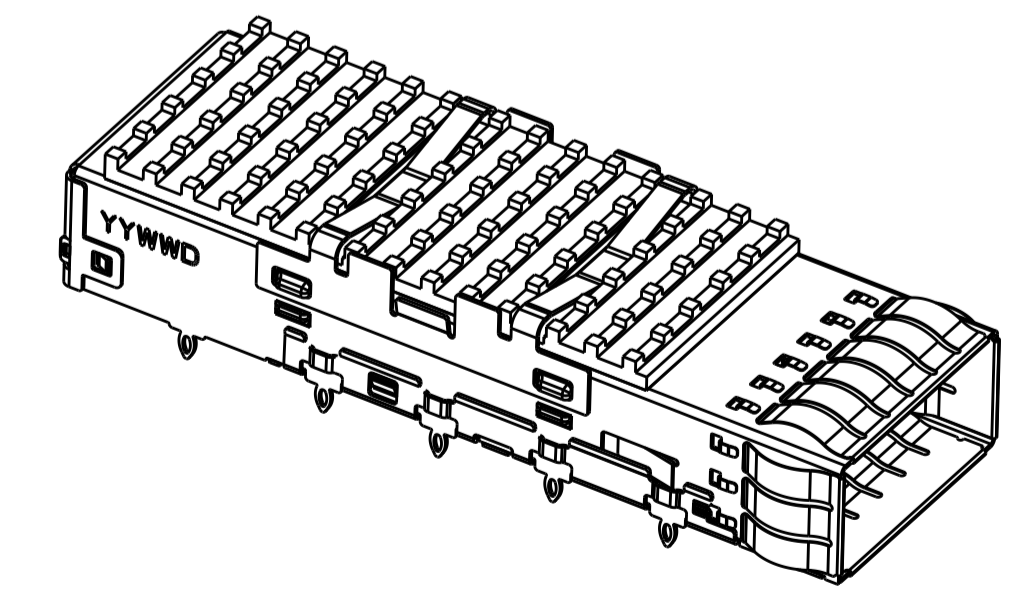
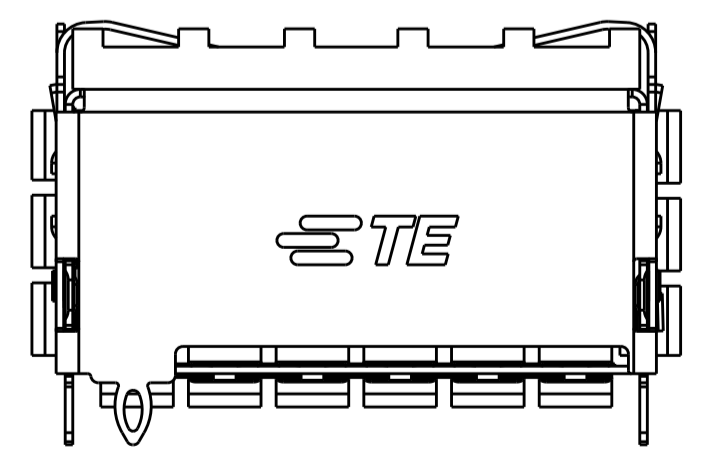
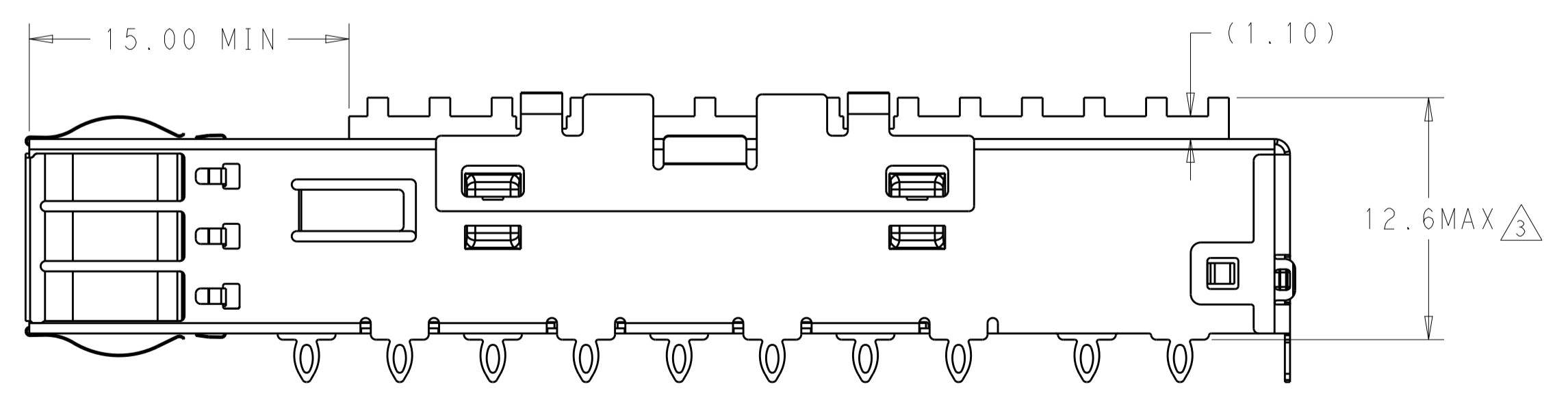


1-2170704-3 AS SHOWN
SCALE 4:1



1-2170704-6 ARE AS SHOWN
SCALE 2:1

1-2170704-6 AS SHOWN
SAME AS 1-2170704-3 EXCEPT MARKED DIMENSIONS
SCALE 4:1



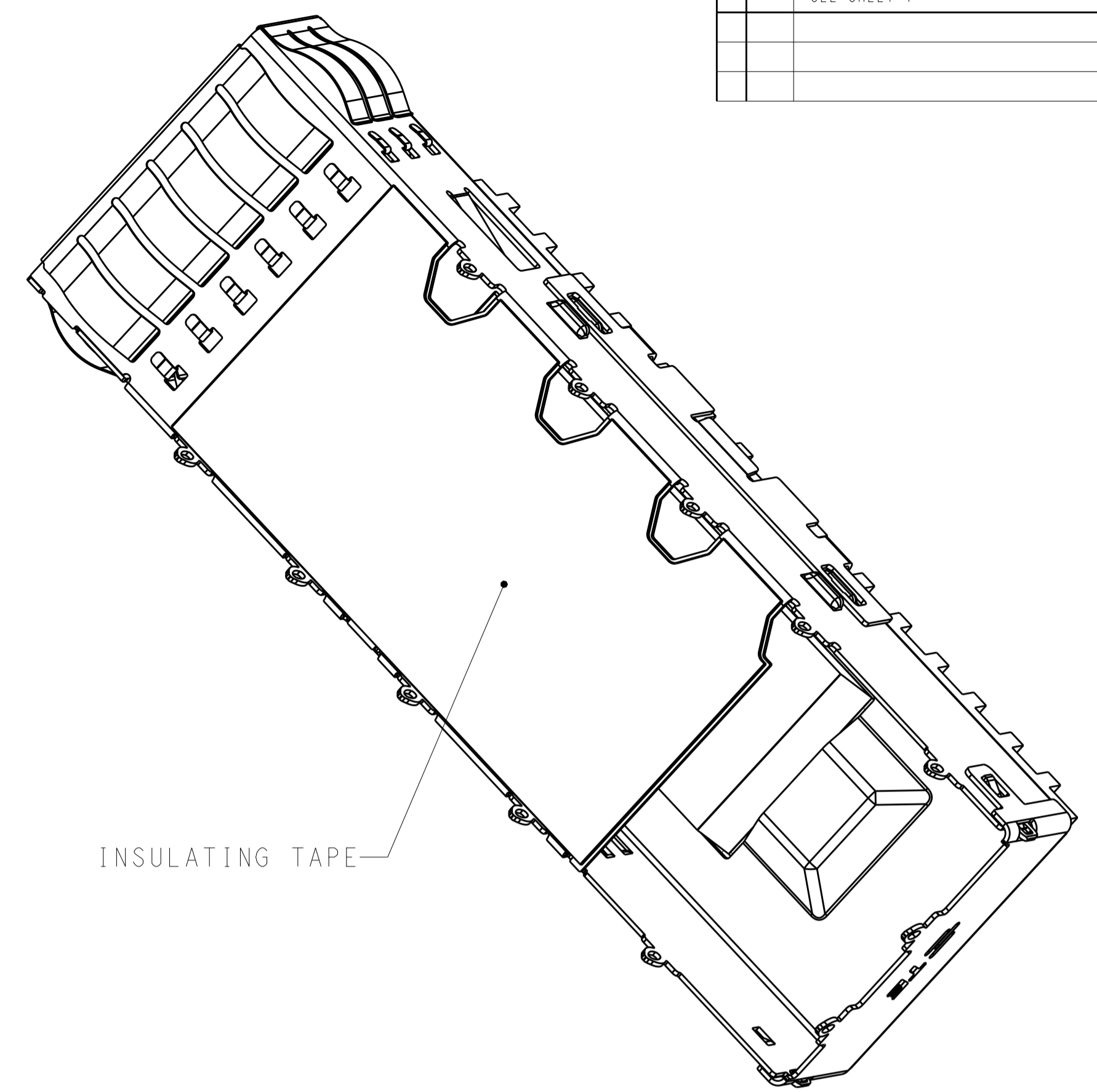
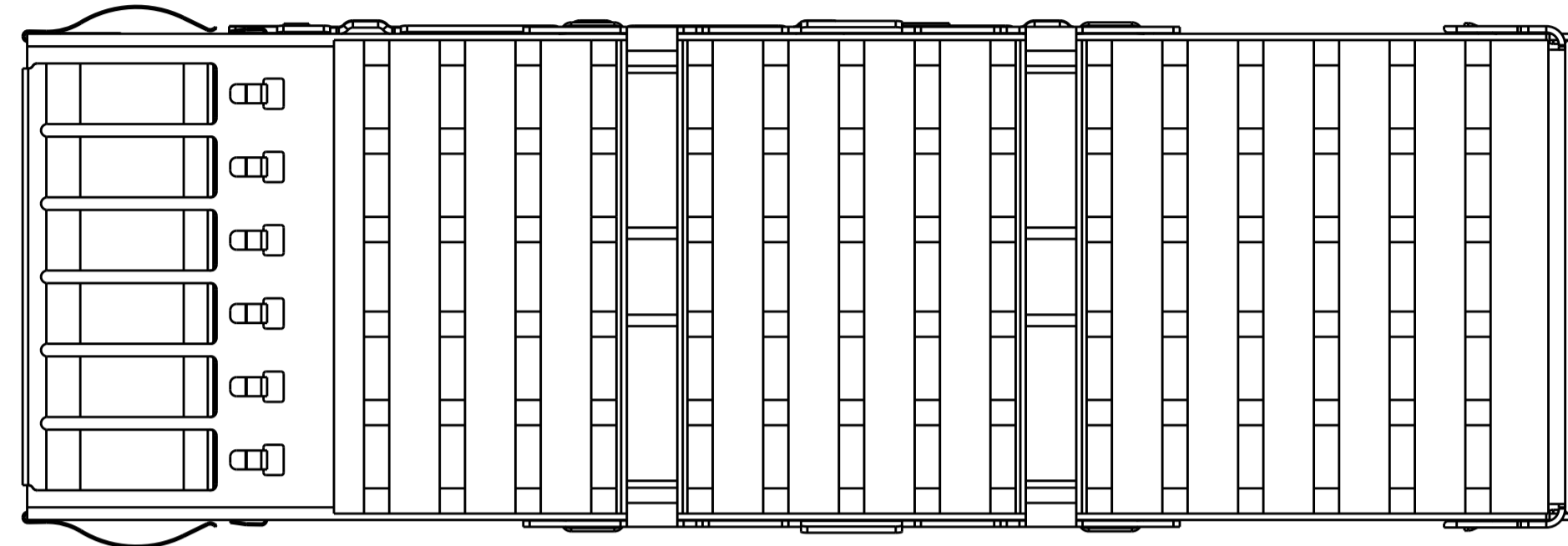
SCALE 4:1

1-2170704-7 AS SHOWN
SCALE 2:1

1-2170704-7 AS SHOWN
SAME AS 1-2170704-6 EXCEPT MARKED DIENSIONS

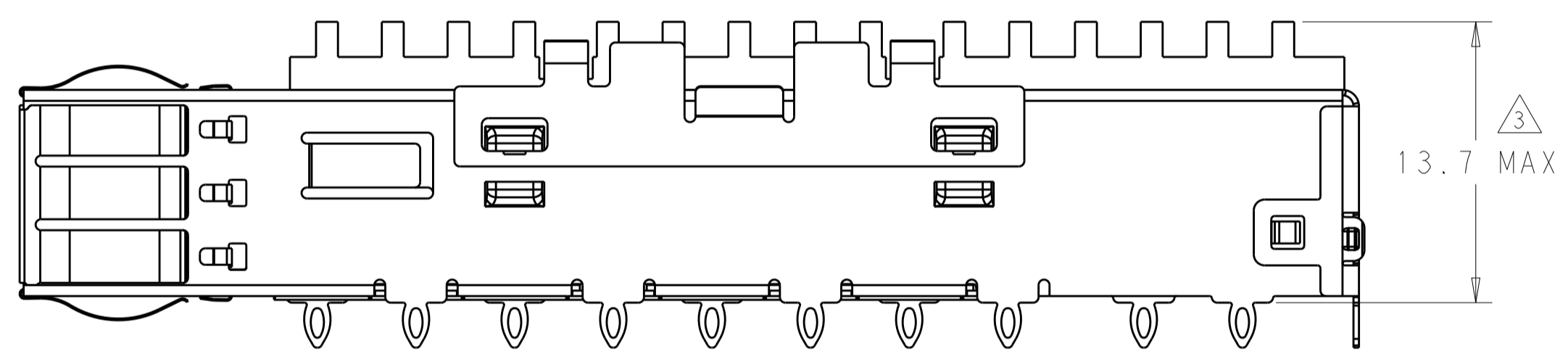
THIS DRAWING IS A CONTROLLED DOCUMENT.		OWN: JASON YANG 23SEP2013	
DIMENSIONS:		CHK: SEAN HAN 23SEP2013	
mm	TOLERANCES UNLESS OTHERWISE SPECIFIED:	APVD:	NAME: CAGE ASSEMBLY, QSFP28, THRU BEZEL WITH EMI SPRING FINGER HEAT SINK
0 PLC	±0.25	PRODUCT SPEC:	108-19428
1 PLC	±0.25	APPLICATION SPEC:	114-32023
2 PLC	±0.20	WEIGHT:	A100779C=2170704
3 PLC	±0.100	FINISH:	CUSTOMER DRAWING
4 PLC	±	RESTRICTED TO:	
ANGLES	±	SCALE:	2:1
MATERIAL:		SHEET:	4 OF 8
		REV:	G

LOC		DIST		REVISIONS			
				REV	DATE	BY	APPV
-	-	-	-	-	-	-	-
-	-	-	-	-	-	-	-
-	-	-	-	-	-	-	-



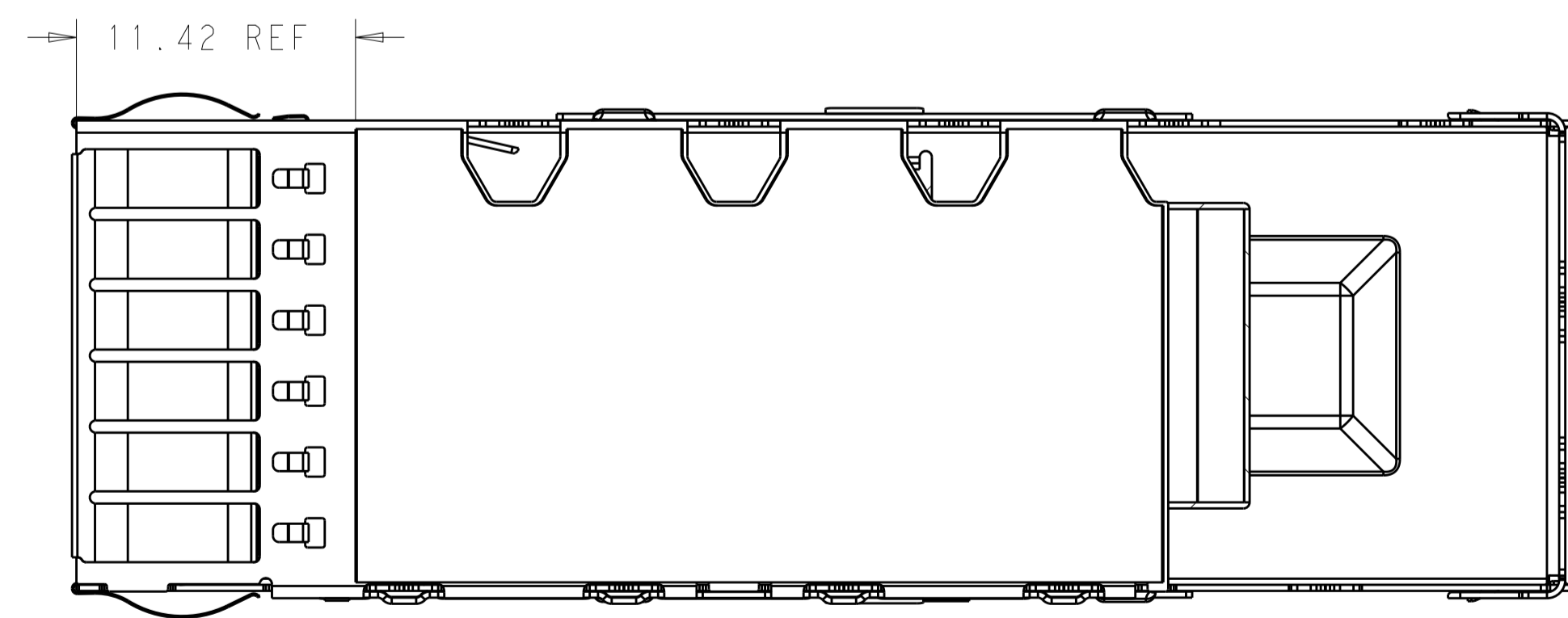
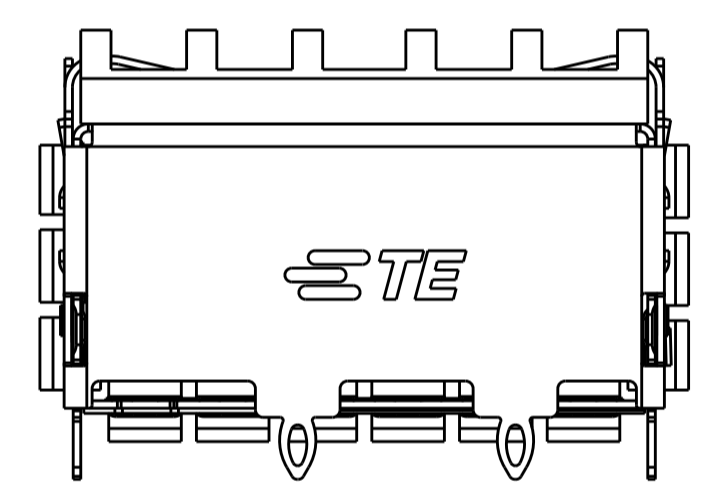
INSULATING TAPE

5-2170704-1 WITH INSULATING TAPE
 SCALE 4:1



13.7 MAX

SCALE 4:1

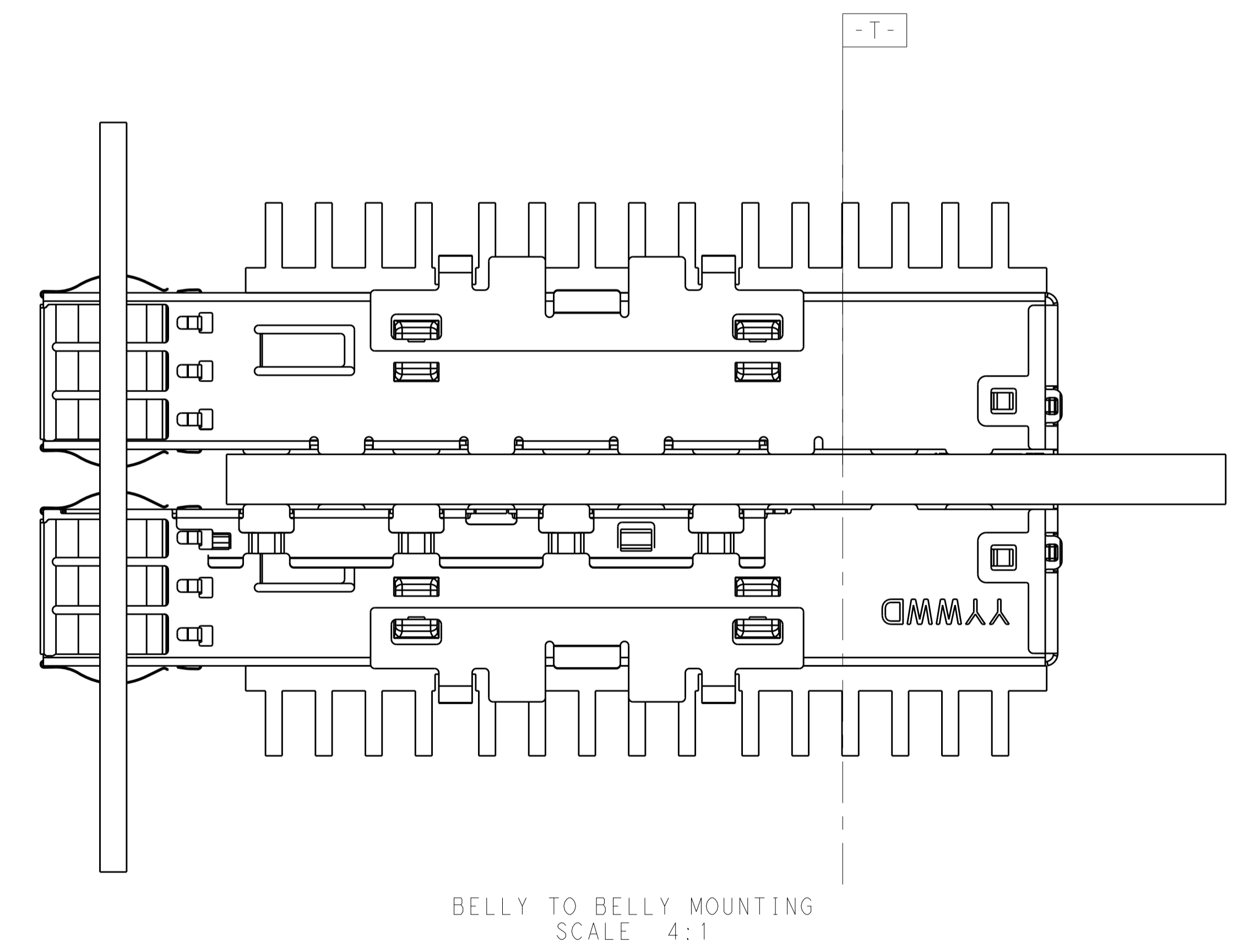
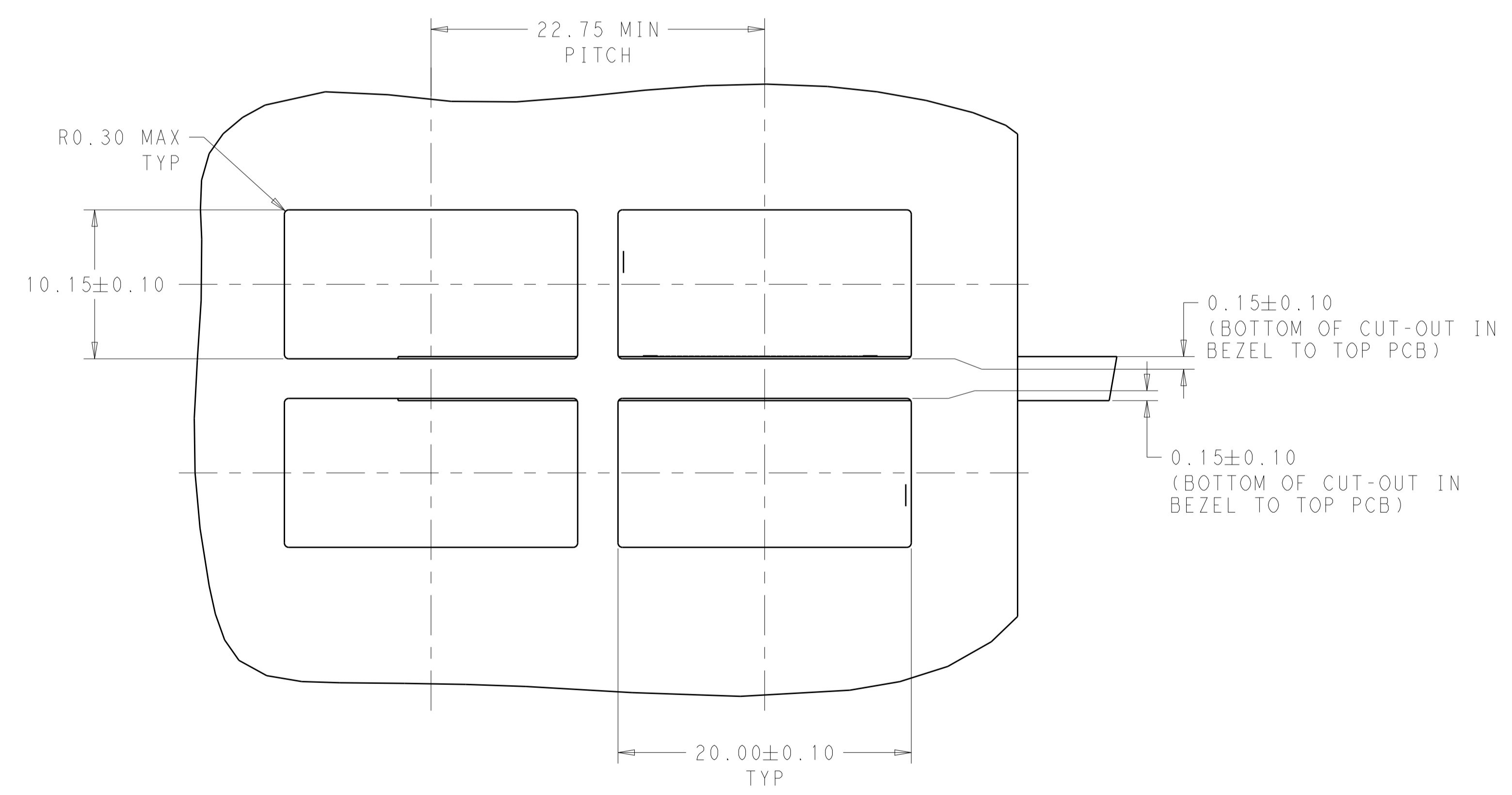
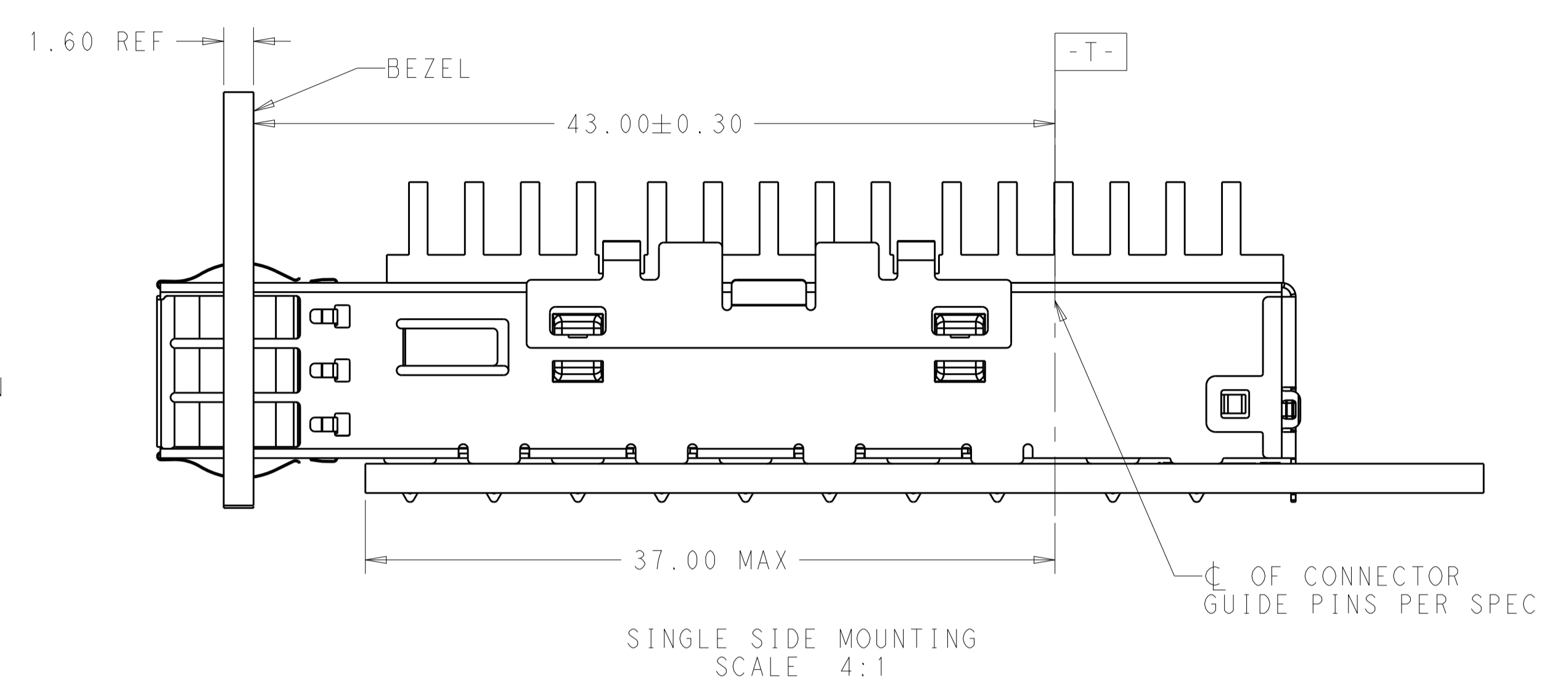
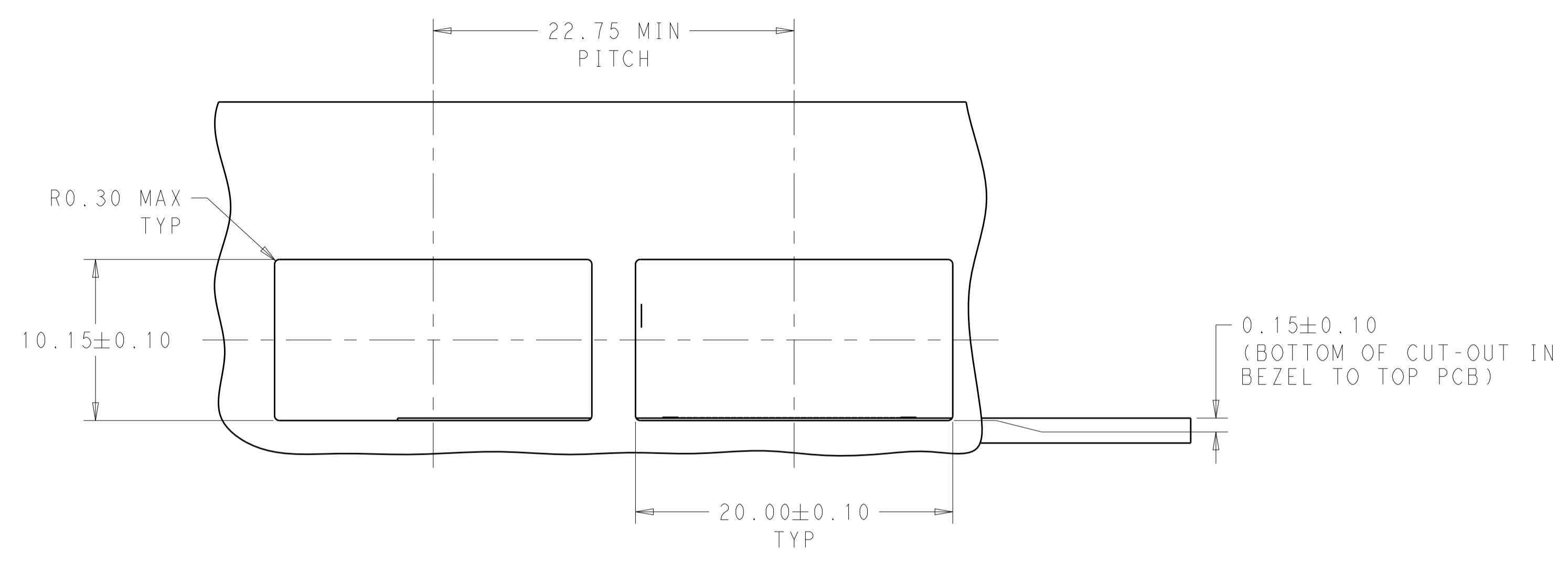


11.42 REF

5-2170704-1 ARE AS SHOWN

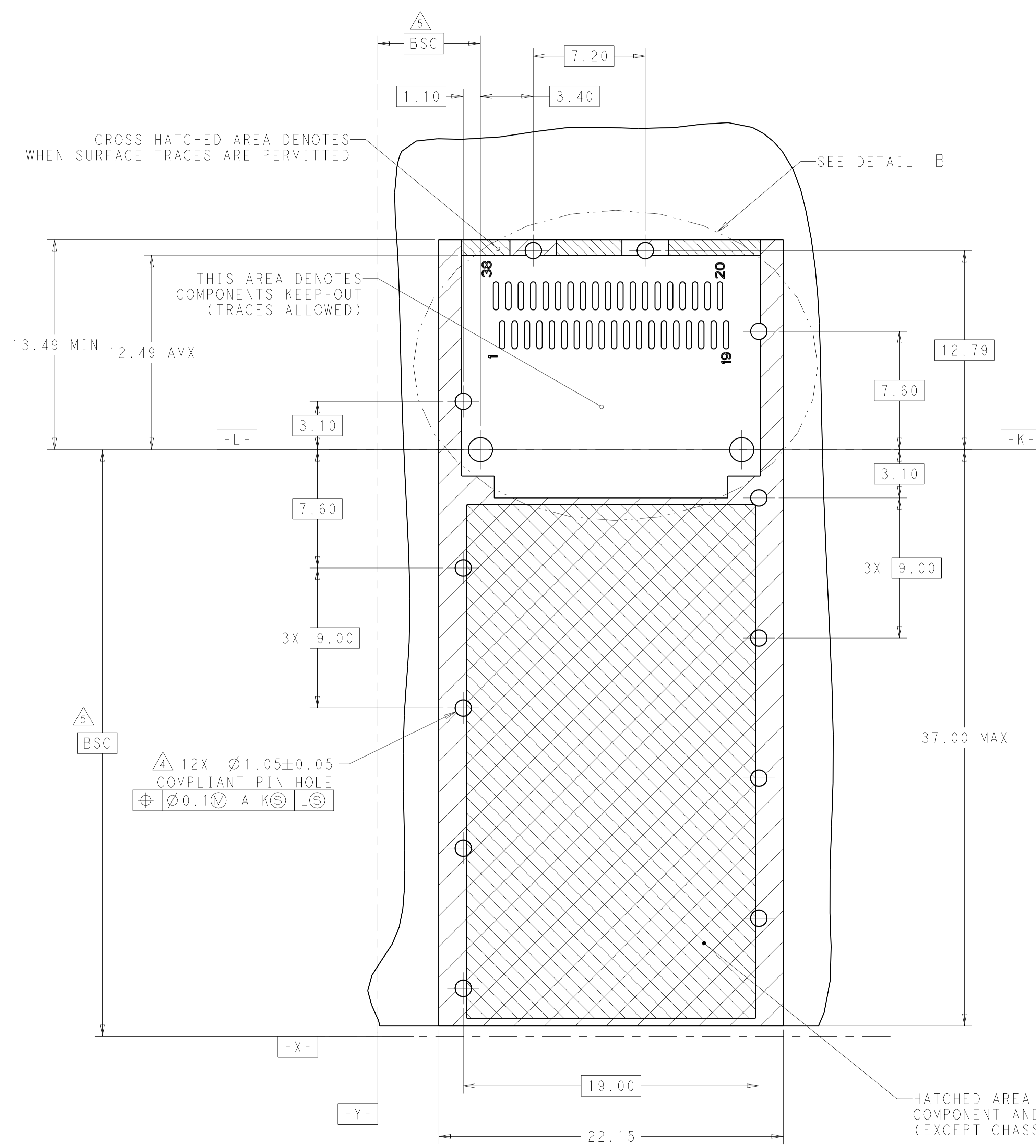
THIS DRAWING IS A CONTROLLED DOCUMENT.		DWN: JASON YANG 23SEP2013	TE Connectivity NAME: CAGE ASSEMBLY, QSFP28, THRU BEZEL WITH EMI SPRING FINGER HEAT SINK
DIMENSIONS:		CHK: SEAN HAN 23SEP2013	
mm	TOLERANCES UNLESS OTHERWISE SPECIFIED:	APVD:	PRODUCT SPEC: 108-19428
0 PLC	±0.25		APPLICATION SPEC:
1 PLC	±0.25		114-32023
2 PLC	±0.20		RESTRICTED TO:
3 PLC	±0.100		A100779C=2170704
4 PLC	±		SCALE 2:1 SHEET 5 OF 8 REV G
ANGLES	±		
MATERIAL:	FINISH:	WEIGHT:	
			CUSTOMER DRAWING

LOC		DIST		REVISIONS			
P	LTN	DESCRIPTION	DATE	DWN	APVD		
-	-	SEE SHEET 1	-	-	-		

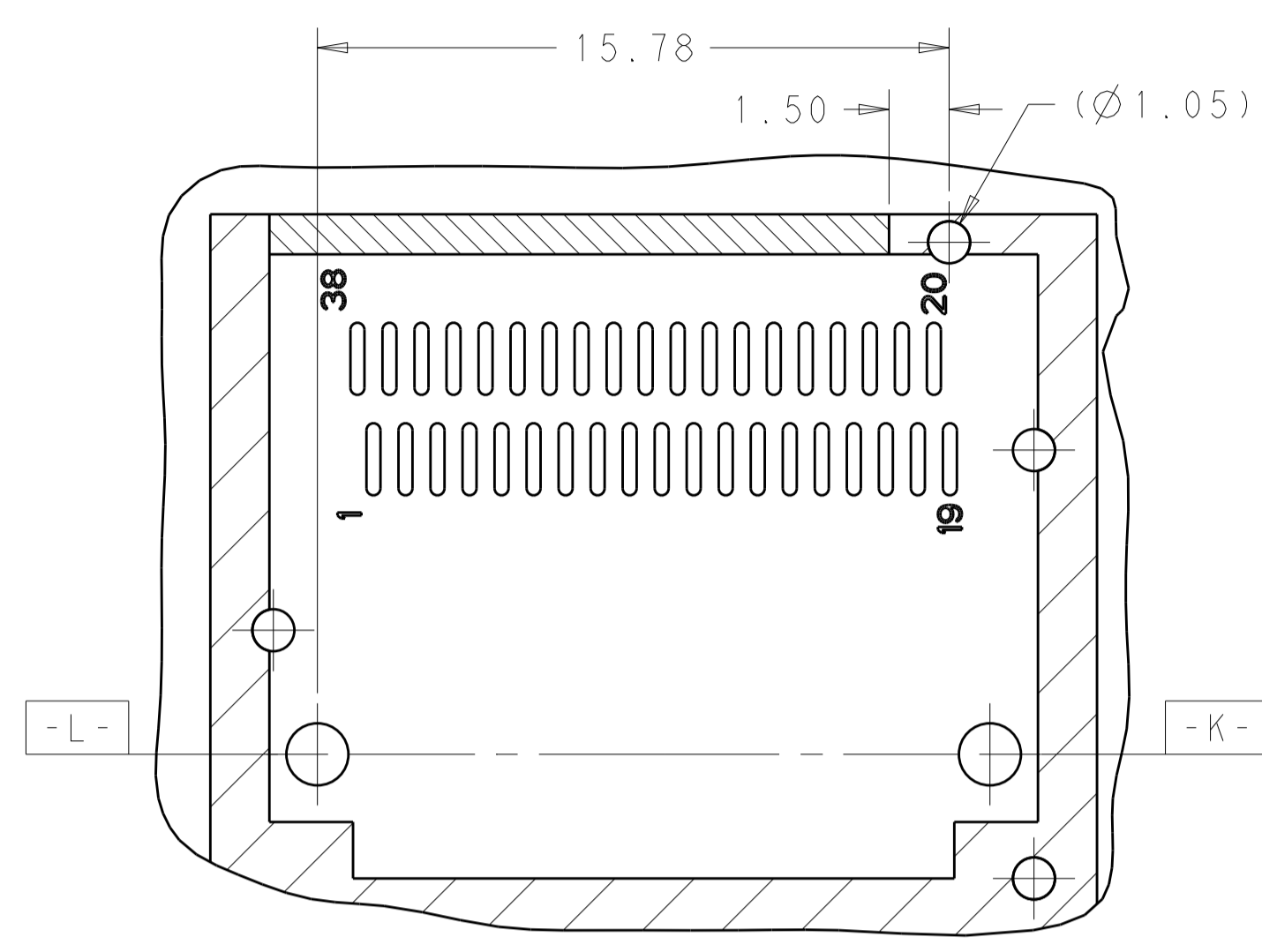


THIS DRAWING IS A CONTROLLED DOCUMENT.		DWN: JASON YANG 23SEP2013	TE Connectivity
		CHK: SEAN HAN 23SEP2013	
DIMENSIONS:		NAME: CAGE ASSEMBLY, QSFP28, THRU BEZEL WITH EMI SPRING FINGER HEAT SINK	
mm		PRODUCT SPEC: 108-19428	
		APPLICATION SPEC: 114-32023	
0 PLC ±0.25 1 PLC ±0.25 2 PLC ±0.20 3 PLC ±0.100 4 PLC ±" ANGLES ±" FINISH ±"		SIZE: 114-32023 WEIGHT: A100779C=2170704 CUSTOMER DRAWING	
		RESTRICTED TO: -	
		SCALE: 2:1 SHEET 6 OF 8 REV G	

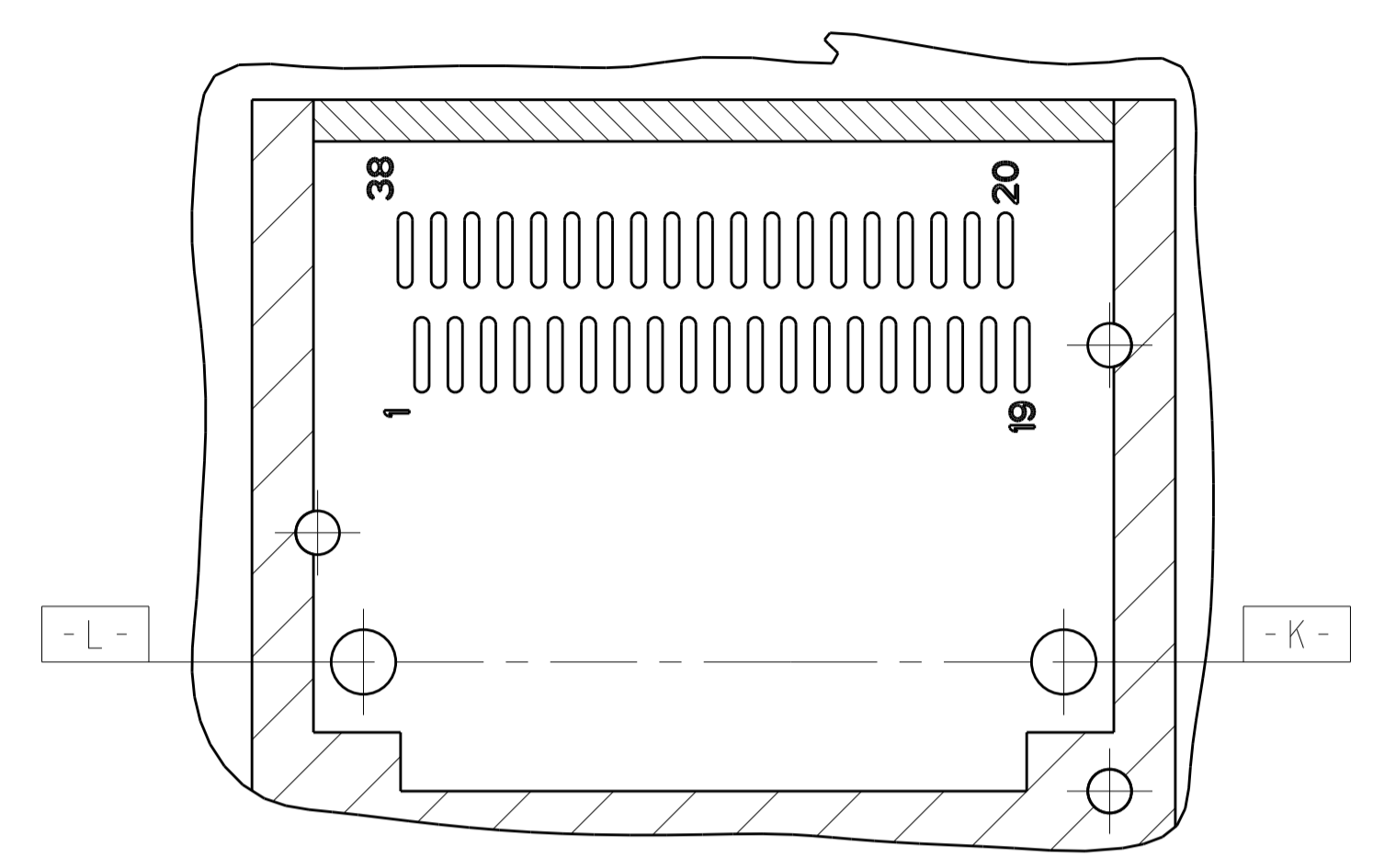
LOC		DIST		REVISIONS			
				DESCRIPTION	DATE	OWN	APVD
-	-	-	-	SEE SHEET 1	-	-	-



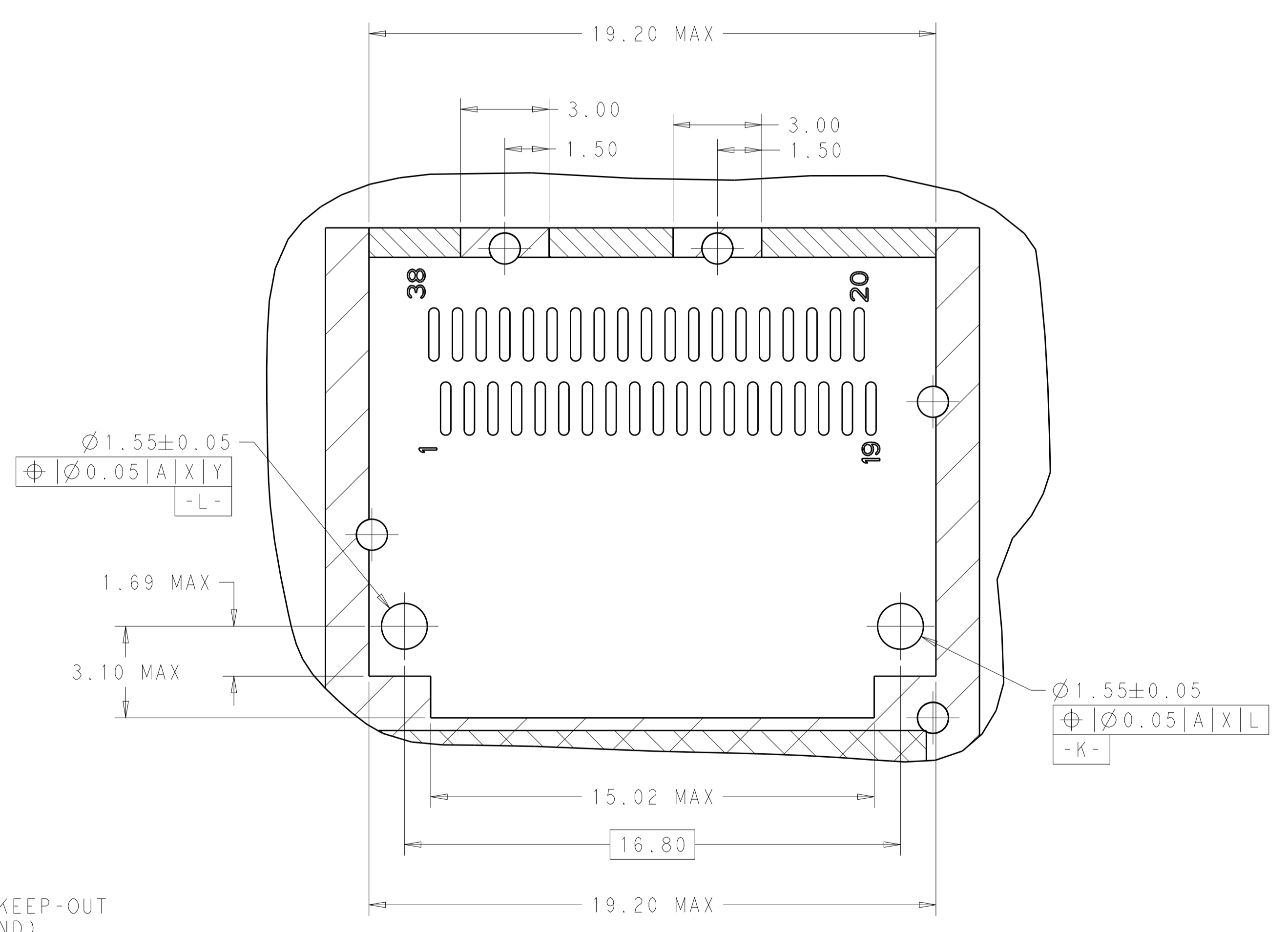
RECOMMENDED PCB LAYOUT
 SINGLE TYPE OF 2 REAR HOLES OF LEGS
 PCB TOLERANCE: ±0.05
 SCALE 6:1



RECOMMENDED PCB LAYOUT
 SINGLE TYPE OF 1 REAR HOLES OF LEGS
 PCB TOLERANCE: ±0.05
 SCALE 6:1



RECOMMENDED PCB LAYOUT
 SINGLE TYPE OF 0 REAR HOLES OF LEGS
 PCB TOLERANCE: ±0.05
 SCALE 6:1

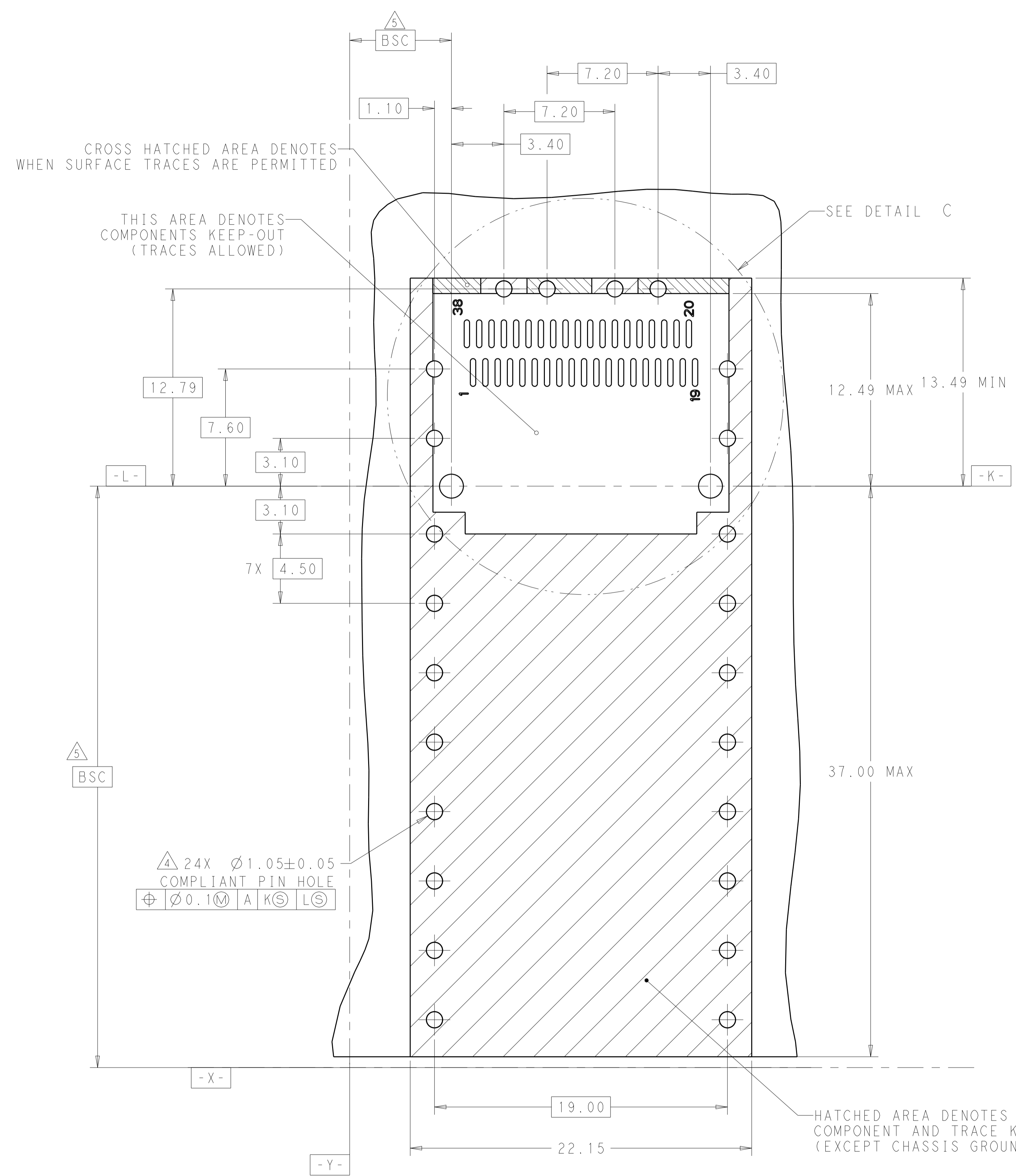


DETAIL B
 SCALE 8:1

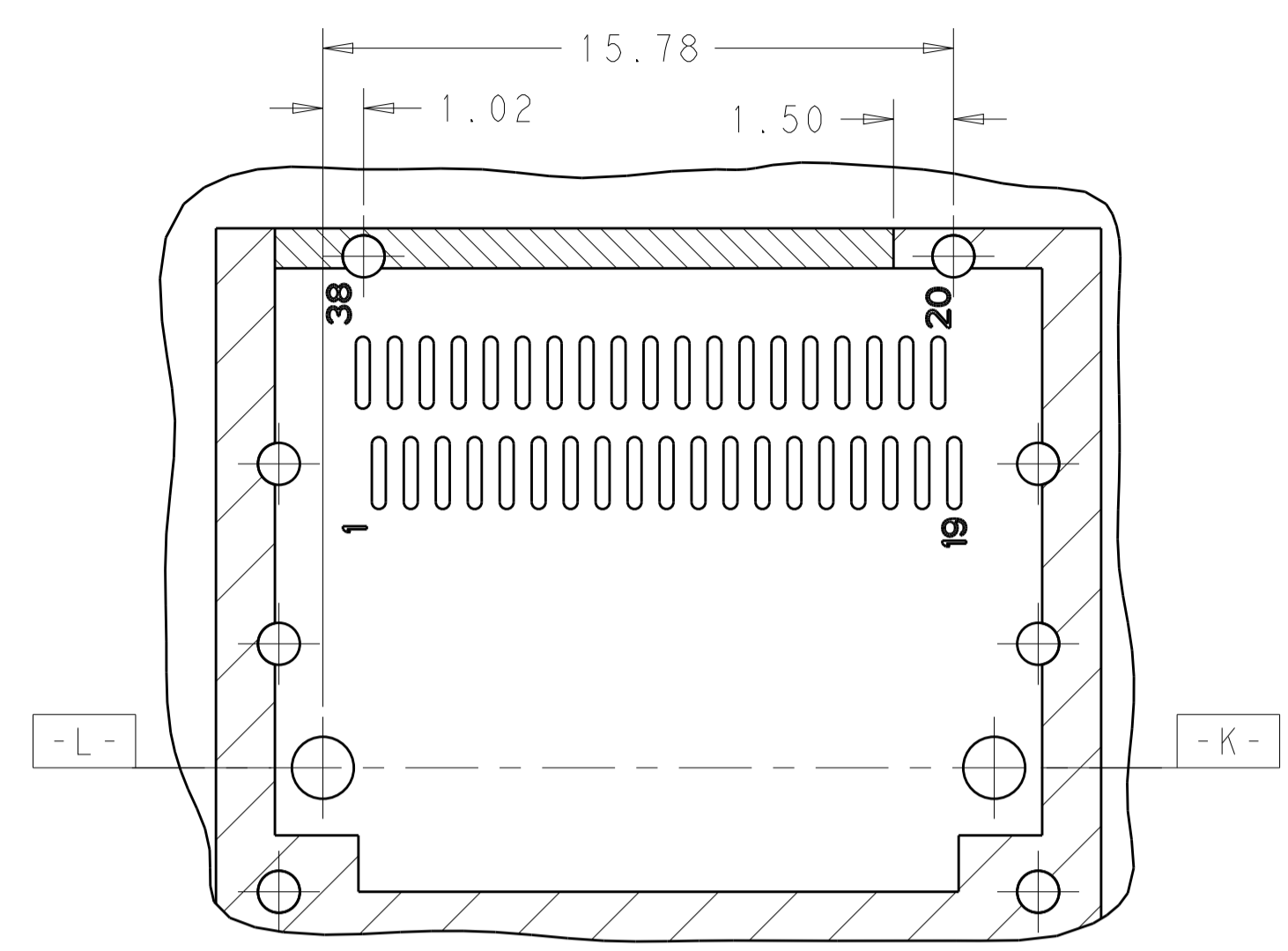
HATCHED AREA DENOTES
 COMPONENT AND TRACE KEEP-OUT
 (EXCEPT CHASSIS GROUND)

THIS DRAWING IS A CONTROLLED DOCUMENT.		OWN: JASON YANG 23SEP2013	TE Connectivity
DIMENSIONS: mm		CHK: SEAN HAN 23SEP2013	
TOLERANCES UNLESS OTHERWISE SPECIFIED:		APVD:	NAME: CAGE ASSEMBLY, QSPF28, THRU BEZEL WITH EMI SPRING FINGER HEAT SINK
0 PLC ±0.25	1 PLC ±0.25	PRODUCT SPEC: 108-19428	SIZE: A1
2 PLC ±0.20	3 PLC ±0.100	APPLICATION SPEC: 114-32023	CAGE CODE: 2170704
4 PLC ±0.100	ANGLES ±°	WEIGHT:	RESTRICTED TO:
MATERIAL:	FINISH:	CUSTOMER DRAWING	SCALE: 2:1 SHEET 7 OF 8 REV G

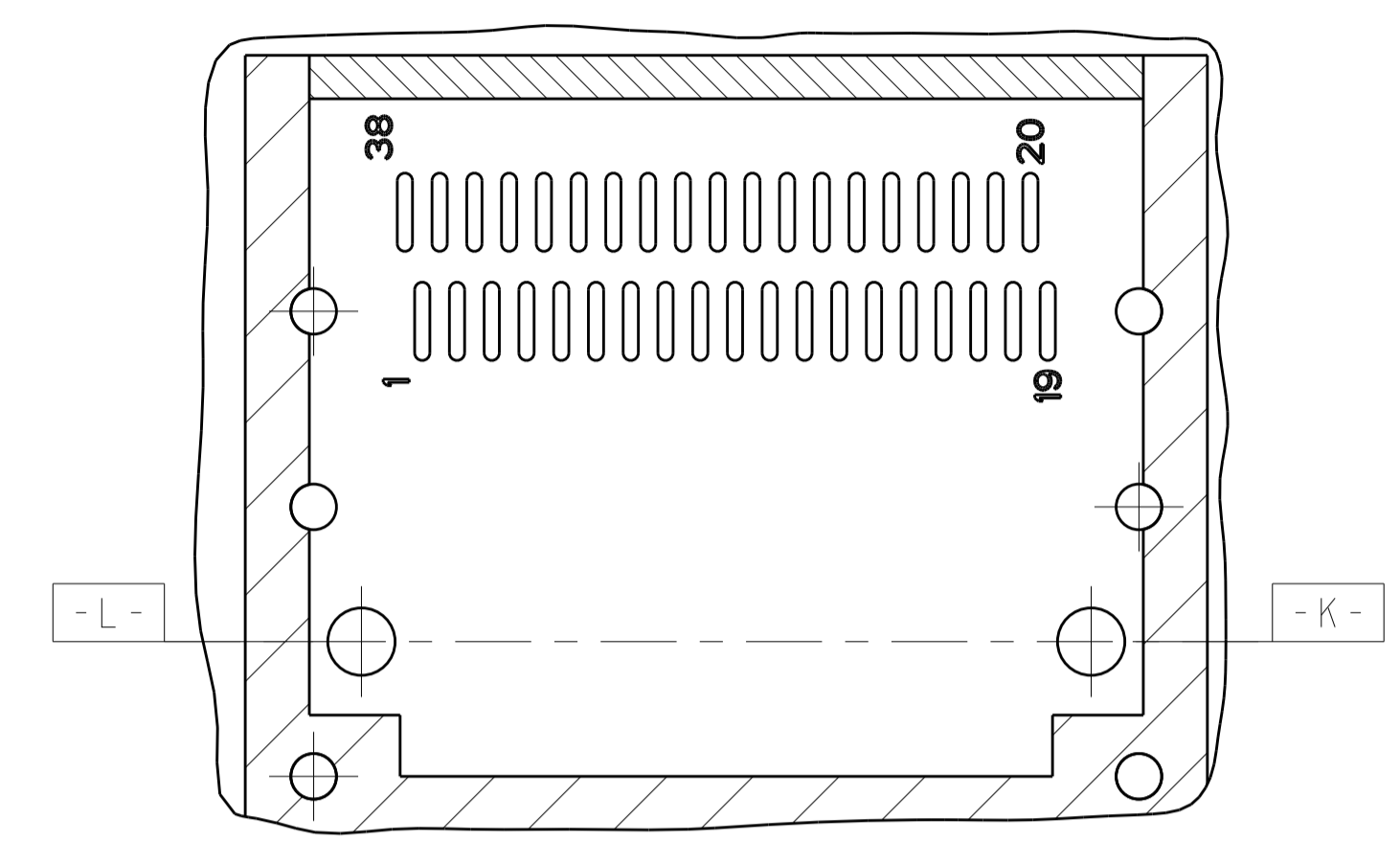
LOC	DIST	REV	DATE	BY	APPV
-	-	1	SEE SHEET 1	-	-



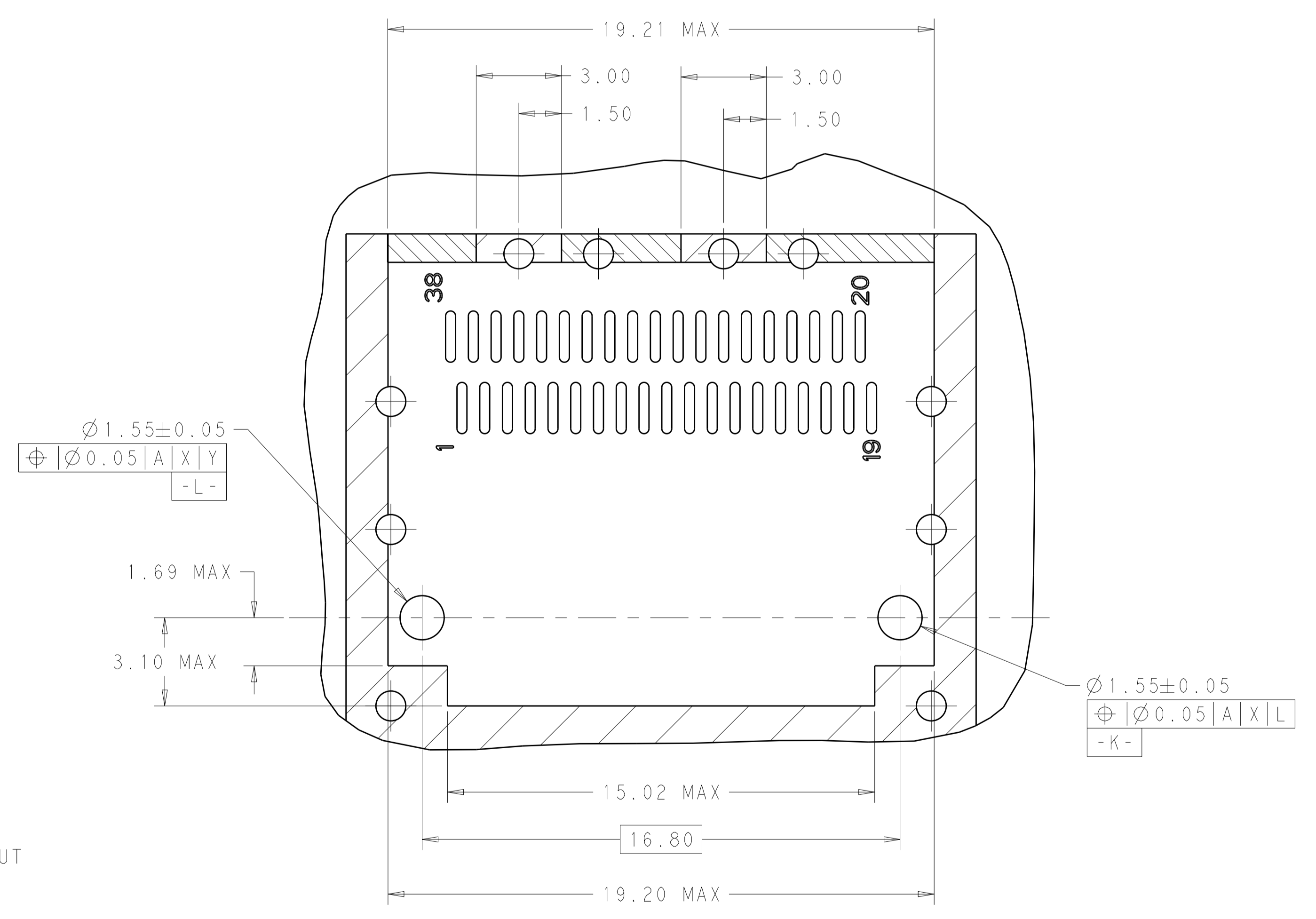
RECOMMENDED PCB LAYOUT
BELLY TO BELLY TYPE OF 2 REAR HOLES OF LEGS
PCB TOLERANCE: ±0.05
SCALE 6:1



RECOMMENDED PCB LAYOUT
BELLY TO BELLY TYPE OF 1 REAR HOLES OF LEGS
PCB TOLERANCE: ±0.05
SCALE 6:1



RECOMMENDED PCB LAYOUT
BELLY TO BELLY TYPE OF 0 REAR HOLES OF LEGS
PCB TOLERANCE: ±0.05
SCALE 6:1



DETAIL C
SCALE 8:1

THIS DRAWING IS A CONTROLLED DOCUMENT.		DWN: JASON YANG 23SEP2013	 TE Connectivity
DIMENSIONS: mm		CHK: SEAN HAN 23SEP2013	
TOLERANCES UNLESS OTHERWISE SPECIFIED:		APVD:	NAME: CAGE ASSEMBLY, QSFP28, THRU BEZEL WITH EMI SPRING FINGER HEAT SINK
0 PLC	±0.25	PRODUCT SPEC	108-19428
1 PLC	±0.25	APPLICATION SPEC	114-32023
2 PLC	±0.20	WEIGHT	A100779C=2170704
3 PLC	±0.100	FINISH	CUSTOMER DRAWING
4 PLC	±	SCALE	2:1
ANGLES	±	SHEET	8 OF 8
MATERIAL		REV	G

单击下面可查看定价，库存，交付和生命周期等信息

[>>TE Connectivity\(泰科\)](#)