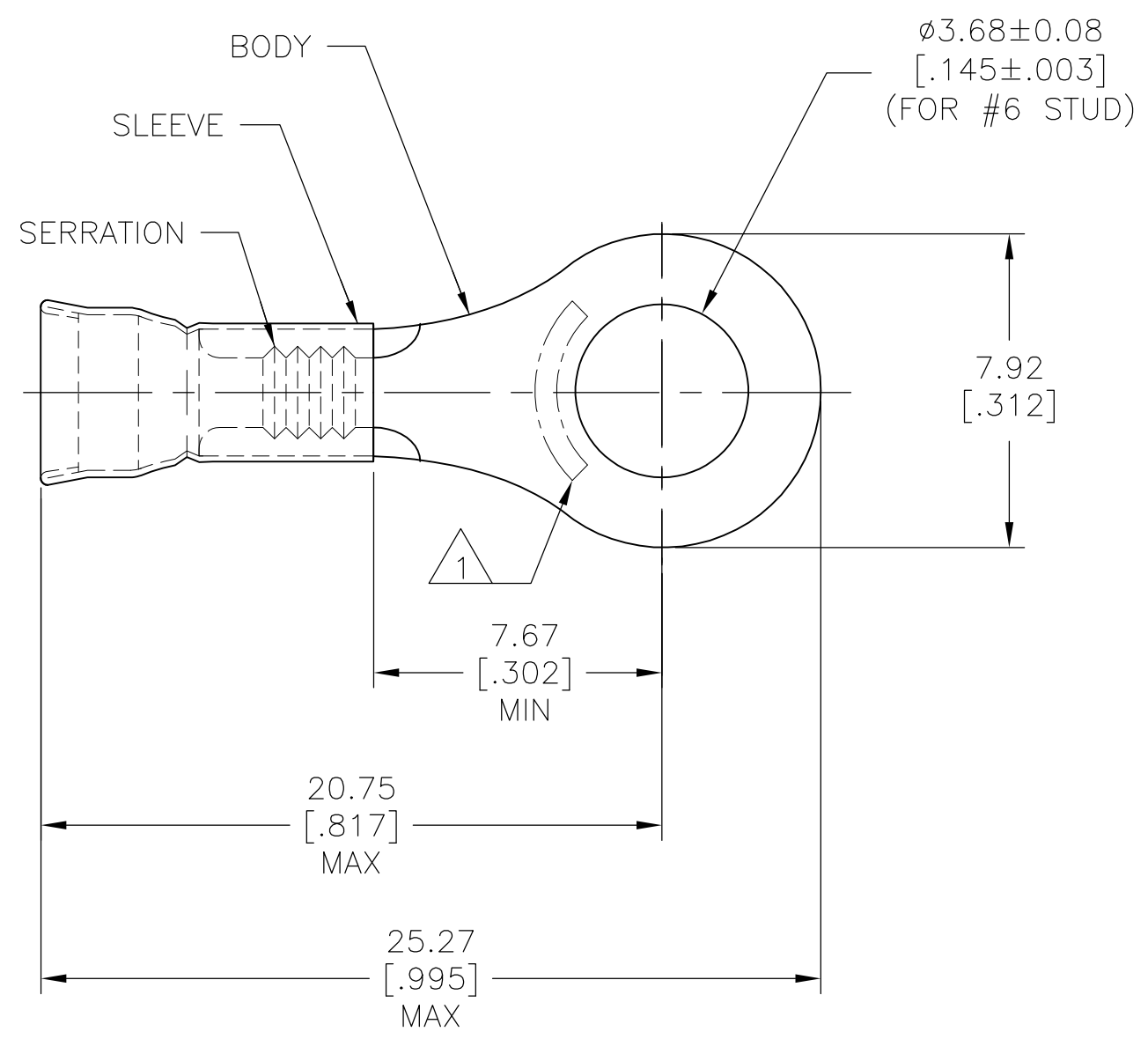


THIS DRAWING IS UNPUBLISHED. RELEASED FOR PUBLICATION  
 © COPYRIGHT - By - ALL RIGHTS RESERVED.

LOC	DIST	REVISIONS					
		P	LTR	DESCRIPTION	DATE	DWN	APVD
G	14		F3	REVISED PER ECO-15-002268	17FEB2015	NK	DR



<b>AMP</b> WIRE RANGE	E13288	LR7189 Certified
12-10 AWG SOLID OR STRANDED	12-10 AWG SOLID OR STRANDED	12-10 AWG SOLID OR STRANDED

- 1 STAMP AMP 12-10\* LOCATE APPROX AS SHOWN.
- 2 WIRE INSUL DIA 3.81-5.84 [.150-.230].
- 3 TONGUE MATL THK. 1.02 ± 0.05 [.040 ± .002].

2500	ON TAPE & REEL	2-326889-1
500	LOOSE PIECE	326889
QTY	PACKAGE TYPE	PART NO

**AMP INCORPORATED**  
**CUSTOMER SERVICE SYSTEMS**

FOR ADDITIONAL PRODUCT INFORMATION OR COPIES OF DRAWINGS AND TECHNICAL DOCUMENTS	PRODUCT INFORMATION CENTER 1-800-522-6752
FOR APPLICATION TOOLING INFORMATION	TOOLING ASSISTANCE CENTER 1-800-722-1111
FOR ORDER ENTRY	1-800-526-5142

MAX RECOMMENDED OPERATING TEMPERATURE:  
 170°C [338°F]

VOLTAGE RATING:  
 -

CIRCULAR MIL AREA:  
 2.62mm<sup>2</sup>-6.64mm<sup>2</sup> [5180-13100]

THIS DRAWING IS A CONTROLLED DOCUMENT.

DIMENSIONS:  
 mm [INCHES]

TOLERANCES UNLESS OTHERWISE SPECIFIED:

0 PLC	± -
1 PLC	± -
2 PLC	± 0.20 [.008]
3 PLC	± -
4 PLC	± -
ANGLES	± -

MATERIAL  
 BODY, CU, SLV, CU PER ASTM B152

FINISH  
 TIN PLATE PER MIL-T-10727

DWN	L OLMEDA	23JAN95
CHK	M ELLIS	23JAN95
APVD	S BORTNER	23JAN95
PRODUCT SPEC	UL486A	
APPLICATION SPEC	-	
WEIGHT	-	

**STE** TE Connectivity

NAME: TERMINAL, RING, DIAMOND GRIP, WIRE SIZE, 12-10 AWG

SIZE	CAGE CODE	DRAWING NO	RESTRICTED TO
A3	00779	C-326889	-

CUSTOMER DRAWING SCALE 6:1 SHEET 1 OF 1 REV F3

单击下面可查看定价，库存，交付和生命周期等信息

[>>TE Connectivity\(泰科\)](#)