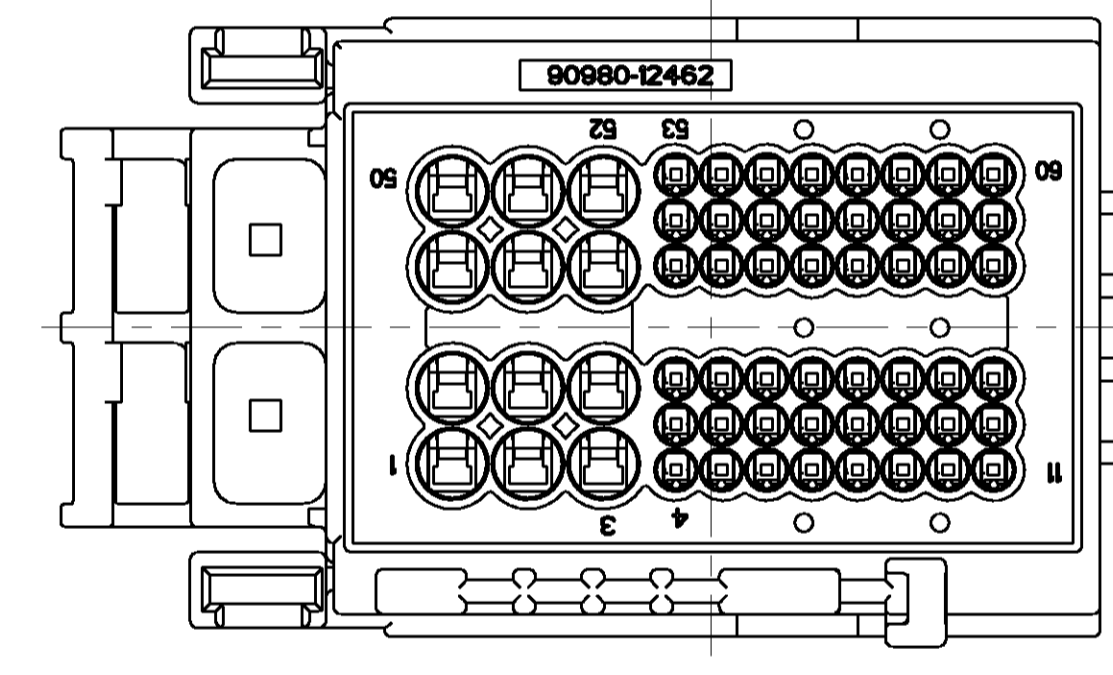
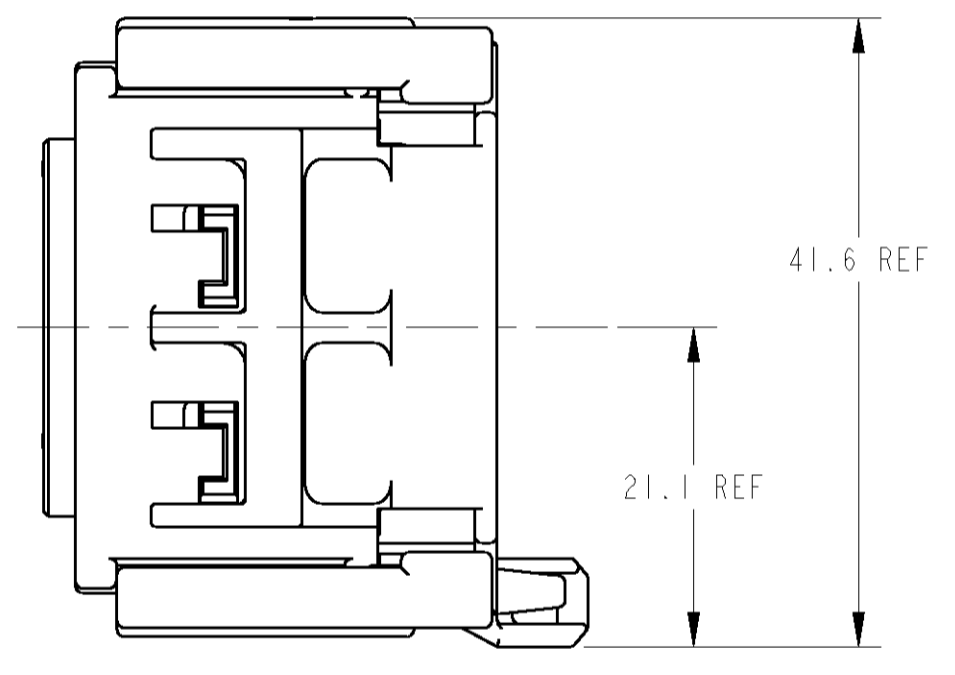
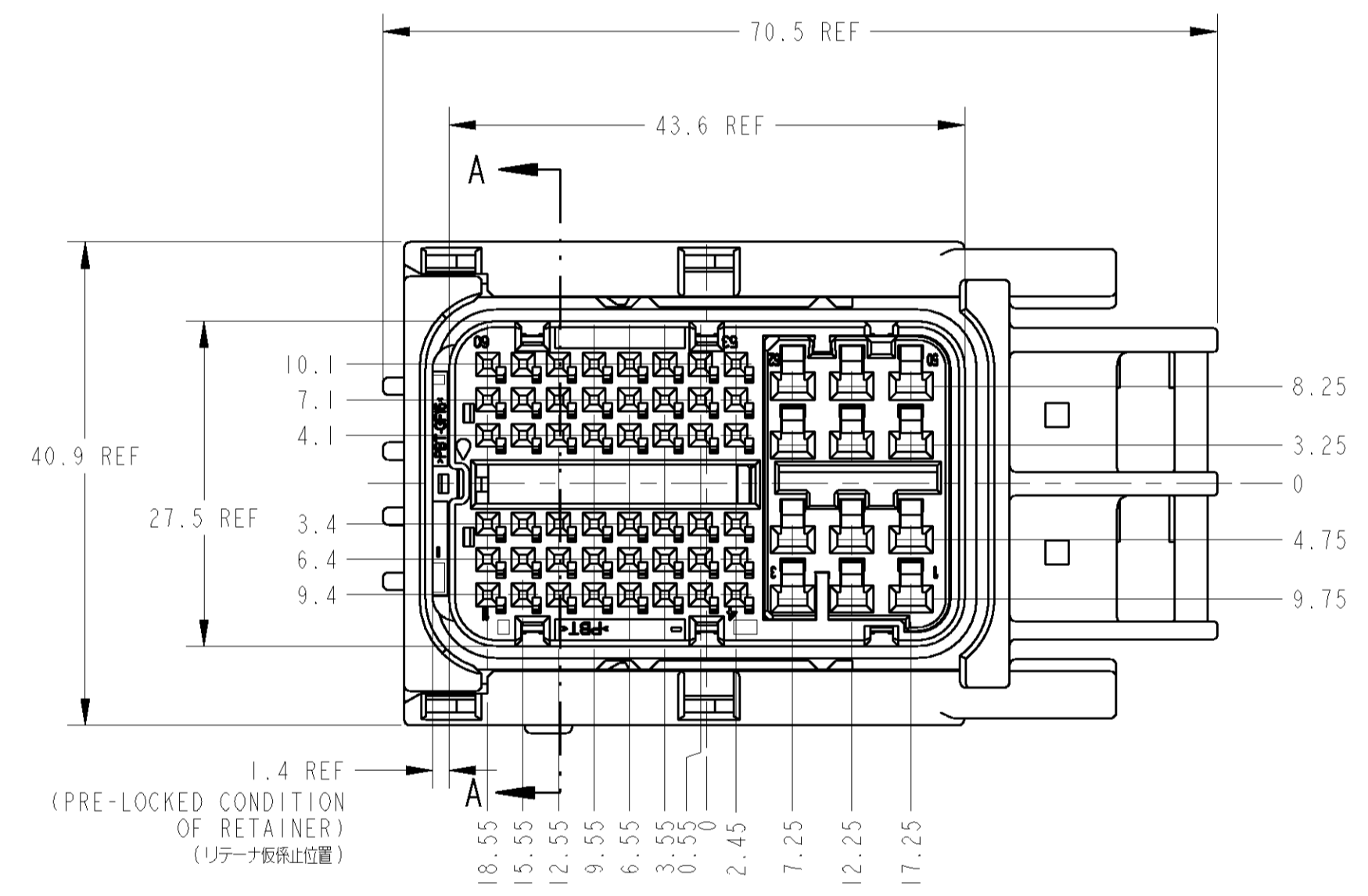
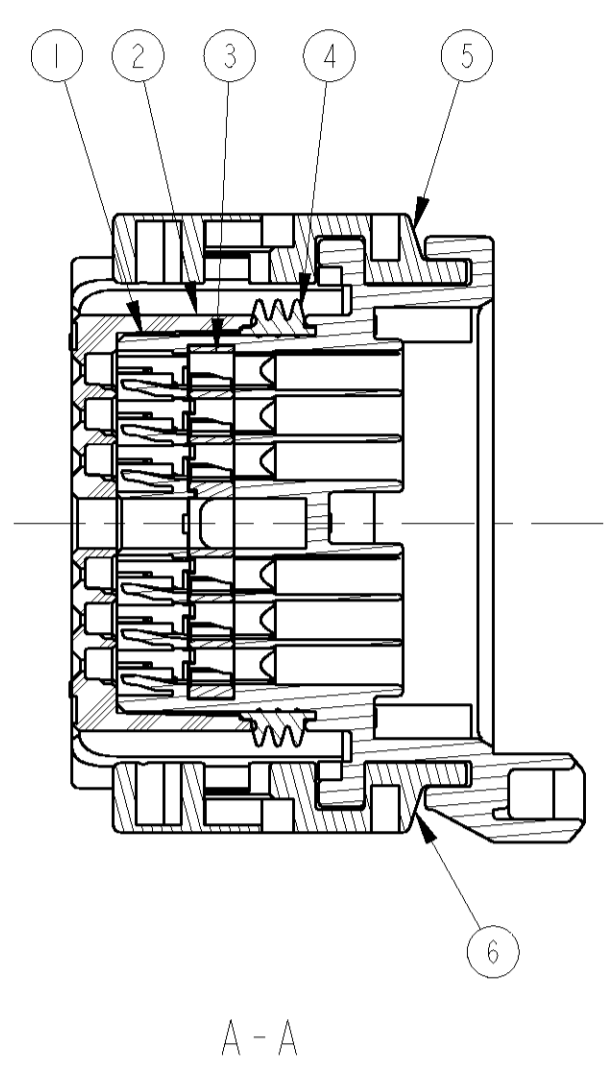
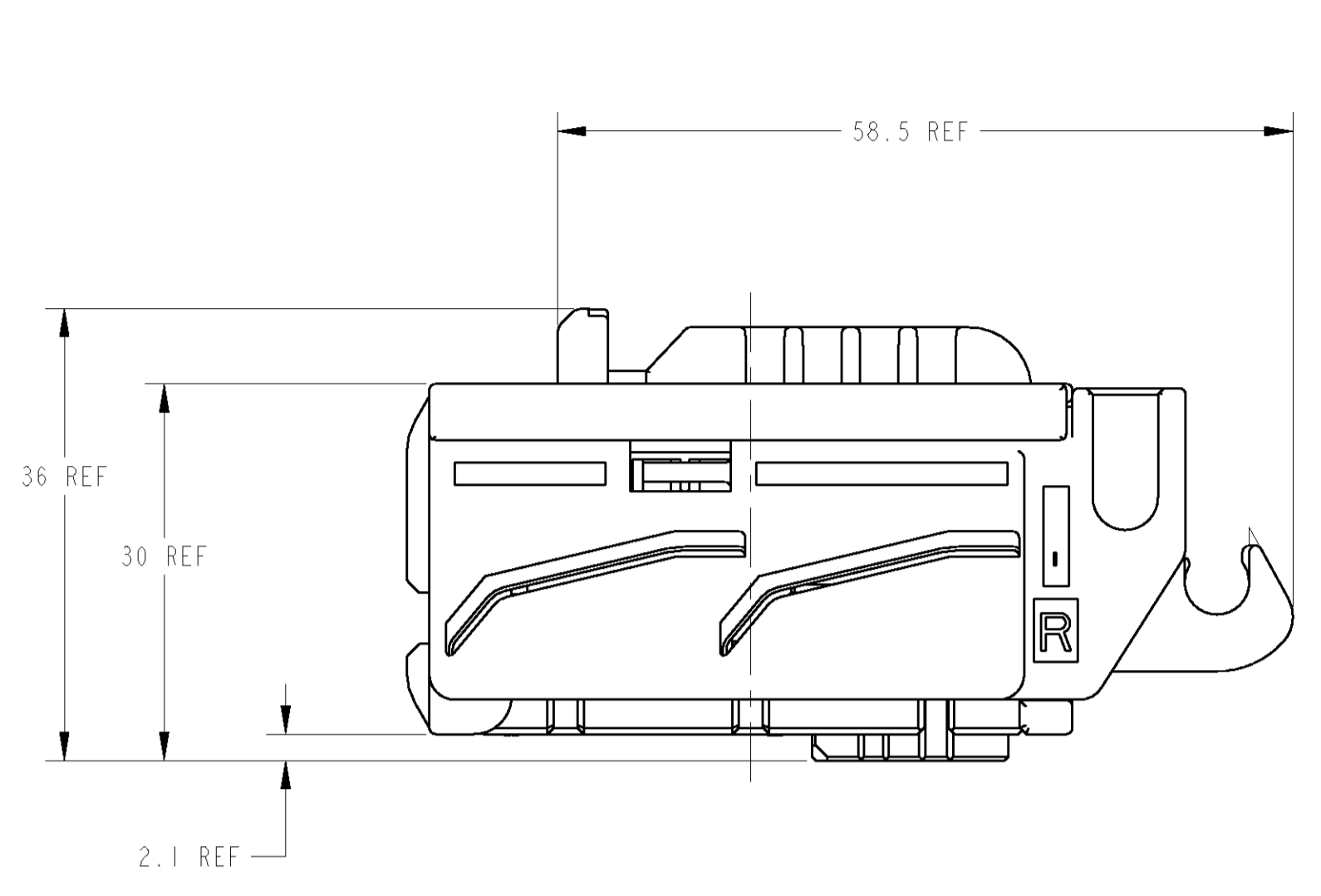


LOC	DIST	REVISIONS				
J	-	P. LTR	DESCRIPTION	DATE	DWN	APVD
		A	RELEASED	11MAY06	SS	KS



- MATING CONNECTOR IS:
P/N:1612272.1717313
 - HANDLING OF THIS PART SHOULD FOLLOW INSTRUCTION SHEET NO.411-78084.
 - COMPONENTS OF THIS PART;SEE TABLE-1
 - THIS PRODUCT IS SHIPPED WITH RETAINER PRE-LOCKED POSITION.
 - ASSEMBLED BY CUSTOMER.
LEVER P/N FOR SUPPLEMENT:1747142
 - PLEASE USE A WIRE COVER, WHEN YOU CANNOT SECURE THE WORKING SPACE BETWEEN A LEVER AND AN ELECTRIC WIRE.
- 嵌合相手品番
P/N:1612272.1717313
 - 本製品の取扱は取扱説明書NO.411-78084に従うこと
 - 本製品の構成部品;TABLE-1参照
 - リテーナは取付状態で出荷される。
 - レバーは顧客にて組立てされる。
補給用レバー品番:1747142
 - レバーと電線の隙間(作業スペース)が確保出来ない時はカバーを使用下さい。

PAPER BOX	OUTER	PACKING STYLE		
ダンボール箱	外表	梱包形態		
SOFT TRAY	INNER			
プラスチックトレイ	内装			
I	BLACK	PBT	SLIDER-L	6
I	BLACK	PBT	SLIDER-R	5
I	REDDISH BROWN	SILICONE	SEAL RING	4
I	NATURAL	PBT	RETAINER	3
I	BLACK	PBT	FRONT CAV	2
I	BLACK	PBT	PLUG HSG 60POS	1
1747140-1	COLOR	MATERIAL	NAME	ITEM NO.

DIMENSIONS: mm		TOLERANCES UNLESS OTHERWISE SPECIFIED: mm ±0.3		DWN S. SHISHIKURA 11MAY06		APVD K. SAKAMAKI 11MAY06		NAME S. ISOHATA 11MAY06		tyco Electronics Tyco Electronics AMP K.K. Kawasaki, Japan	
MATERIAL P/N SEE TABLE		FINISH SEE TABLE		PRODUCT SPEC 108-5891		APPLICATION SPEC 114-5336		SIZE CAGE CODE DRAWING NO. 00779 C=1747140		RESTRICTED TO CUSTOMER DRAWING	
AMP 4895 REV 31MAR2006		Downloaded From Coneyac.com		WEIGHT 40 g		SHEET 2:1		OF 1		REV A	

单击下面可查看定价，库存，交付和生命周期等信息

[>>TE Connectivity\(泰科\)](#)