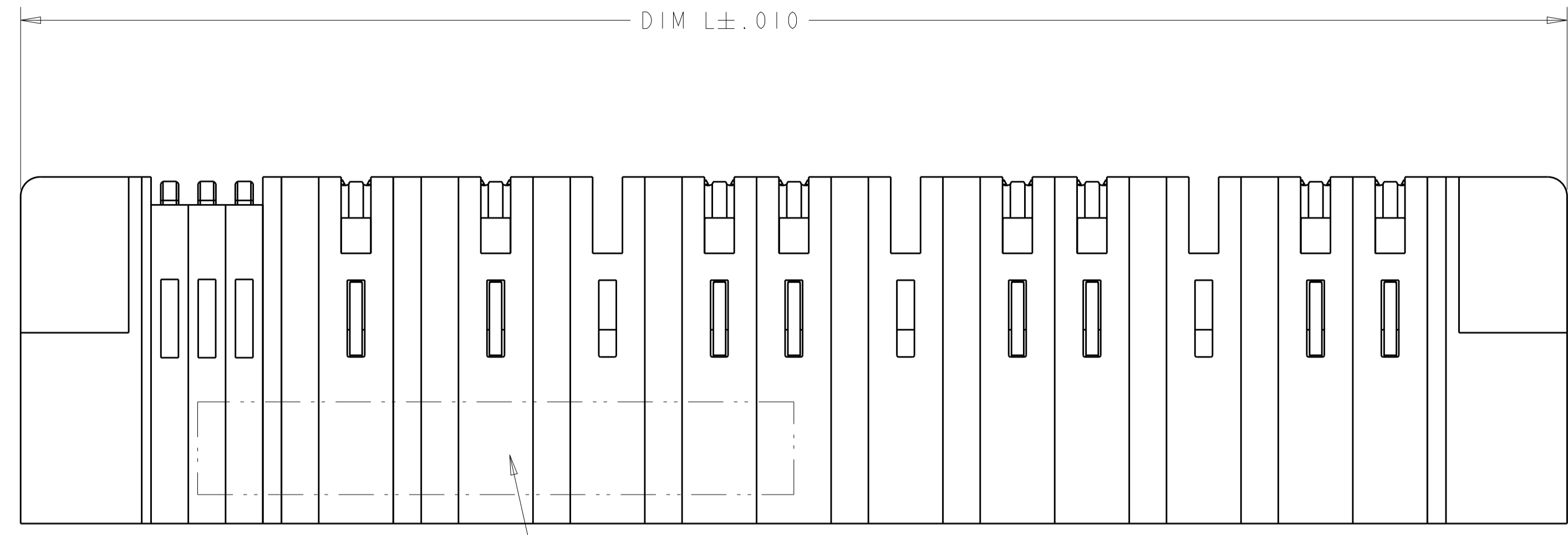
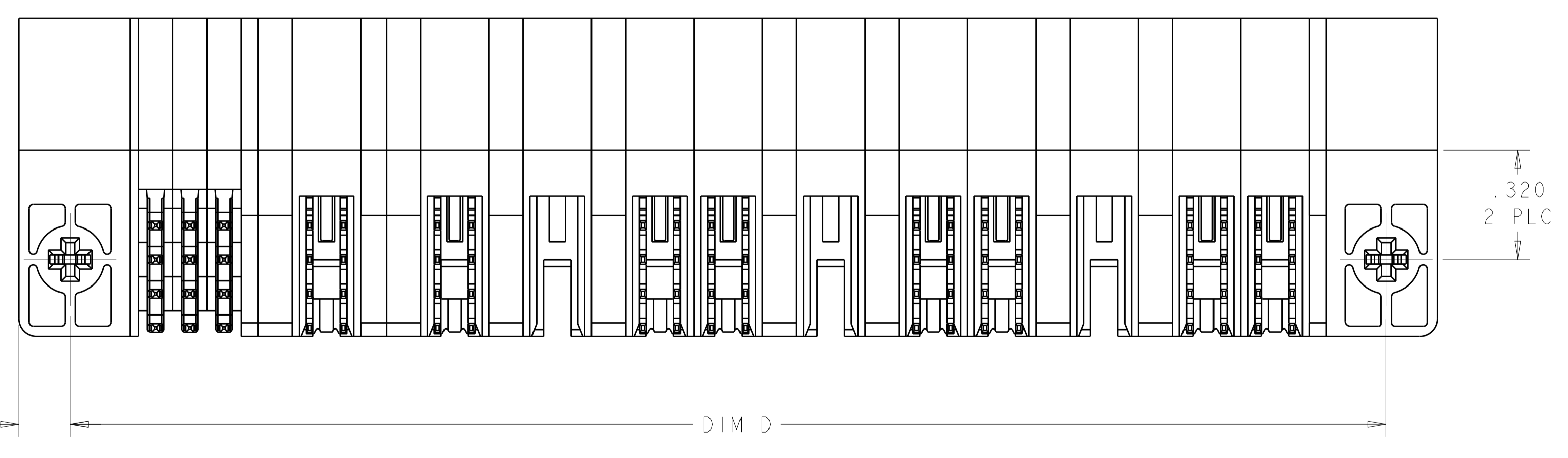
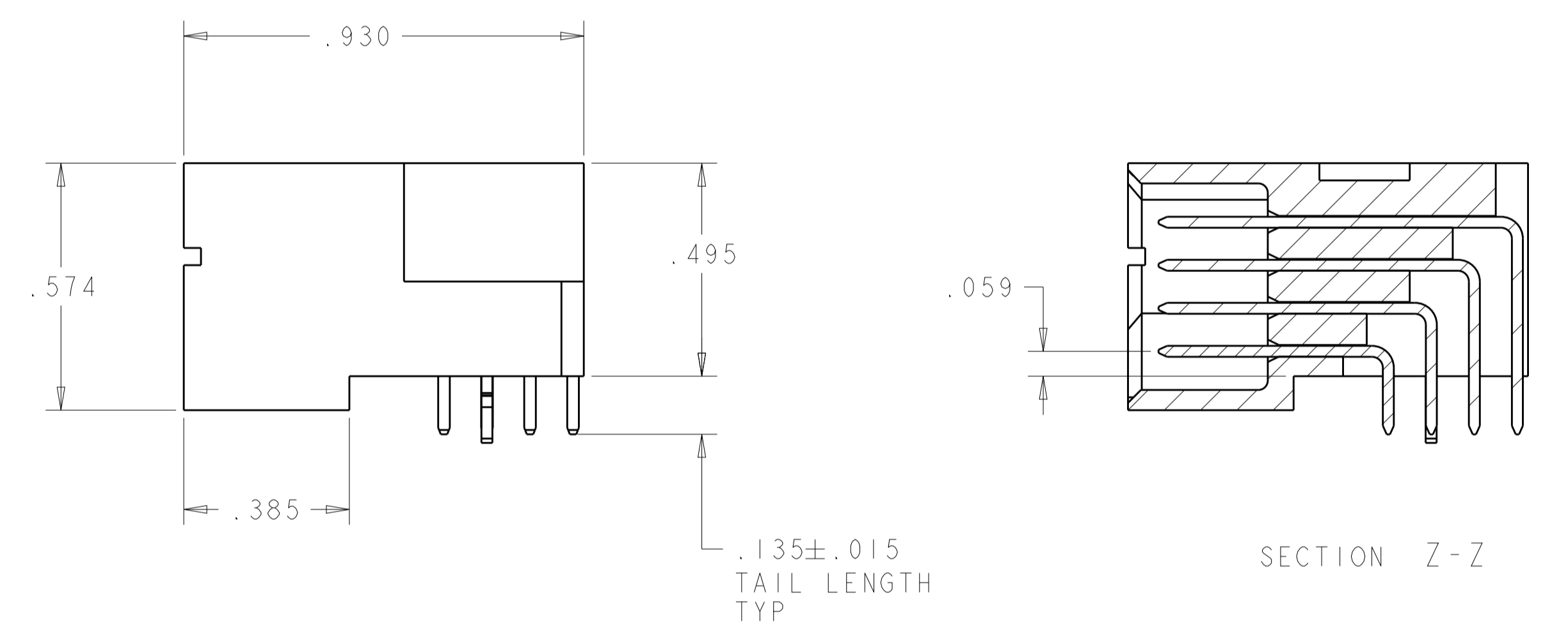
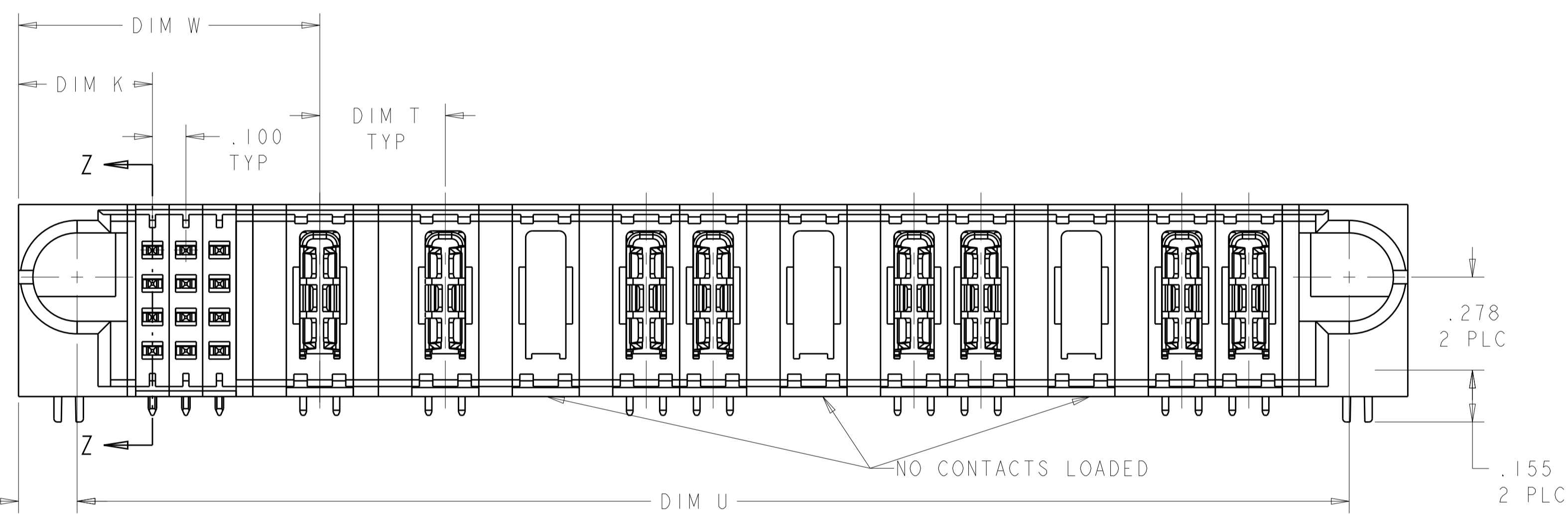


LOC	DIST	REVISIONS					
		P	LTN	DESCRIPTION	DATE	DWN	APVD
ES	00	B		REV PER ECR-07-012702	1JUN2007	DZ	SY
		B1		REVISED	04JUN2007	DZ	SY
		C		PER REV ECR-08-032055	10DEC2008	KT	SY
		C1		PER REV ECR-08-032624	24DEC2008	KT	SY



- ① PART NUMBER, AND DATE CODE MARKED IN AREA SHOWN.
- ② MATERIAL:  
 HOUSING - GLASS FILLED HIGH TEMP THERMO PLASTIC, UL94 V-0  
 SIGNAL CONTACT - COPPER ALLOY  
 POWER CONTACT - HIGH CONDUCTIVITY COPPER ALLOY
- ③ CONTACT PLATING: NOBLE METAL PLATING ON CONTACT FUNCTIONAL AREA OF POWER AND SIGNAL CONTACTS.
- ④ MECHANICAL CONNECTOR KEEP OUT ZONE.
- ⑤ DATUM AND BASIC DIMENSIONS ESTABLISHED BY CUSTOMER.
- ⑥ PCB - ALL HOLE DIAMETERS ARE FINISHED HOLE SIZES.
- ⑦ PCB - .0453±.0010 DRILLED HOLES PLATED WITH .0003 MIN Sn OVER .001 TO .003 Cu PLATING TO ACHIEVE A .040 HOLE.
- ⑧ VARIABLE DIMENSION SHOW ON (SHEET 2).



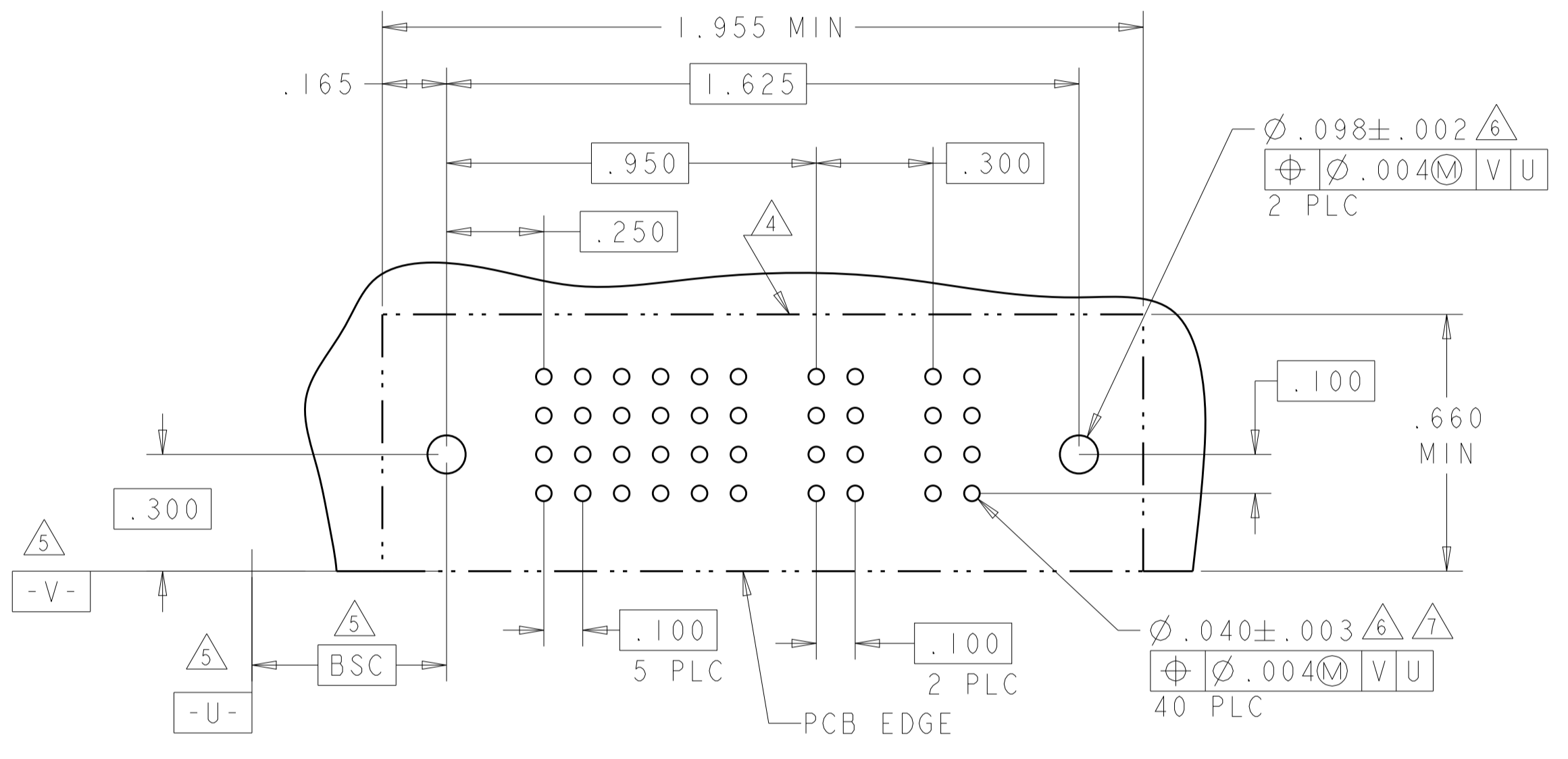
.250	4.450	4.400	1.050	.375	4.750	24S+14P	1892101-3
.300	1.625	1.575	1.150	.400	1.925	24S + 2ACP	1892101-2
⑧	3.850	3.800	.900	.400	4.150	12S + 11P	1892101-1
DIM T	DIM D	DIM U	DIM W	DIM K	DIM L	DESCRIPTION	PART NUMBER

DIMENSIONS: INCHES 		TOLERANCES UNLESS OTHERWISE SPECIFIED: 0 PLC ±. 1 PLC ±.01 2 PLC ±.01 3 PLC ±.005 4 PLC ±.0020 ANGLES ±.020 FINISH		DWN C. ZHOU 09MAY2007 CHK S. YAO 09MAY2007 APVD S. YAO		Tyco Electronics Corporation Shanghai, P.R. China. 200233	
MATERIAL 		FINISH 		NAME RIGHT ANGLE HEADER ASSEMBLY W/GUIDES AND HOT PLUG CONTACTS MULTI-BEAM XL		SIZE CAGE CODE DRAWING NO A100779C=1892101	
CUSTOMER DRAWING				SCALE 4:1		SHEET 1 OF 3 REV C2	

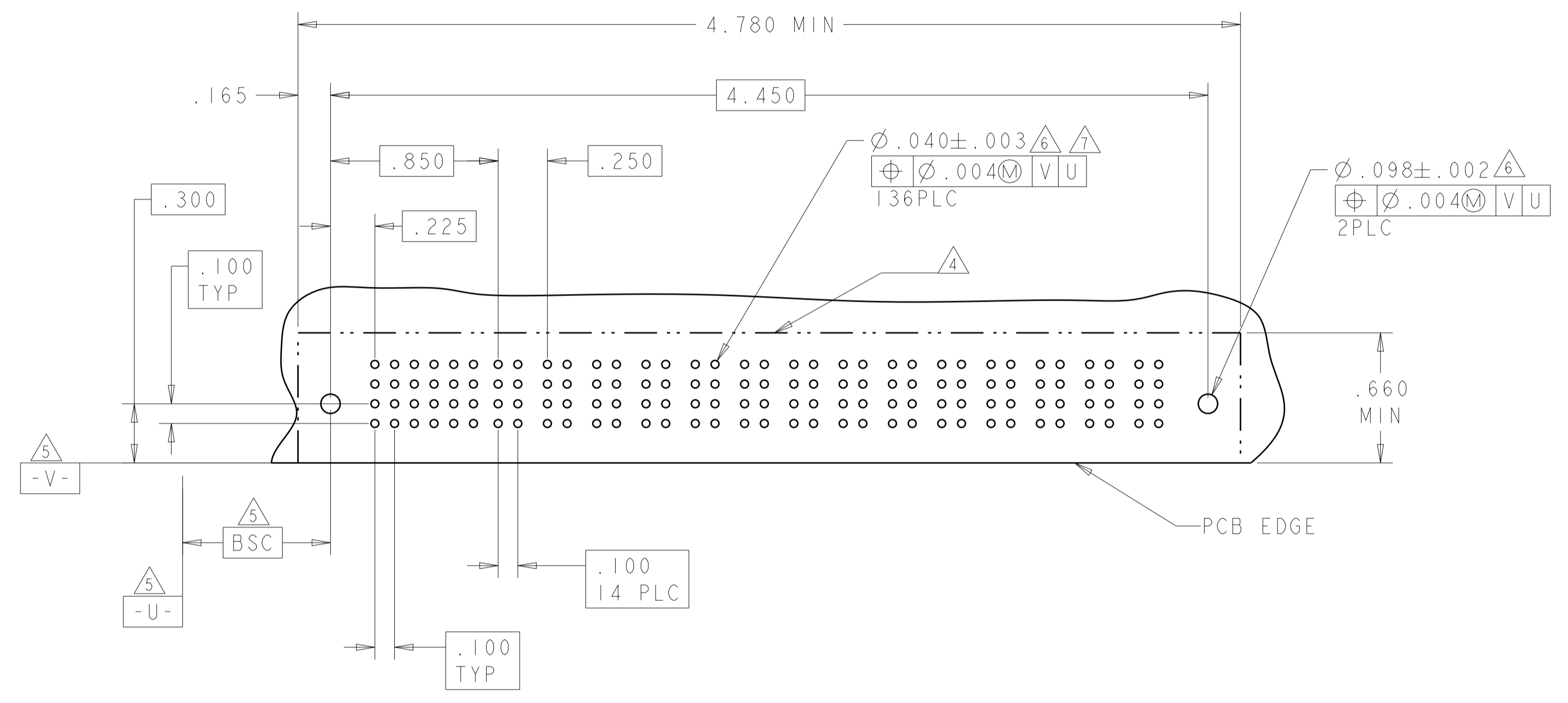


LOC	DIST	REVISIONS			
P	LTH	DESCRIPTION	DATE	DWN	APVD
-	-	SEE SHEET 1	-	-	-

PART NUMBER	ROWS	SIGNAL						P1	P2
		1	2	3	4	5	6		
1892101-2	D	J	J	J	J	J	J	TM	TM
	C	K	K	K	K	K	K		
	B	N	N	N	N	N	N		
	A	S	S	S	S	S	S		
24S + 2ACP									



PART NUMBER	ROWS	SIGNAL						POWER																	
		1	2	3	4	5	6	P1	P2	P3	P4	P5	P6	P7	P8	P9	P10	P11	P12	P13	P14				
1892101-3	D	J	J	J	J	J	J	TM	TM	TM	TM	TM	TM	TM	TM	TM	TM	TM	TM	TM	TM	TM	TM	TM	
	C	K	K	K	K	K	K																		
	B	N	N	N	N	N	N																		
	A	S	S	S	S	S	S																		
24S + 14P																									



<small>THIS DRAWING IS UNPUBLISHED. RELEASED FOR PUBLICATION BY TYCO ELECTRONICS CORPORATION. ALL RIGHTS RESERVED.</small>		DWN: C. ZHOU 09MAY2007 CHK: S. YAO 09MAY2007 APVD: S. YAO	Tyco Electronics Tyco Electronics Corporation Shanghai, P.R. China. 200233
DIMENSIONS: INCHES 		TOLERANCES UNLESS OTHERWISE SPECIFIED: 0 PLC ±. 1 PLC ±.01 2 PLC ±.01 3 PLC ±.005 4 PLC ±.0020 ANGLES ±.2°	NAME: RIGHT ANGLE HEADER ASSEMBLY W/GUIDES AND HOT PLUG CONTACTS MULTI-BEAM XL PRODUCT SPEC: 108-1973 APPLICATION SPEC: SIZE: 114-13038 WEIGHT:
MATERIAL:		FINISH:	CUSTOMER DRAWING SCALE: 4:1 SHEET: 3 OF 3 REV: C2

单击下面可查看定价，库存，交付和生命周期等信息

[>>TE Connectivity\(泰科\)](#)