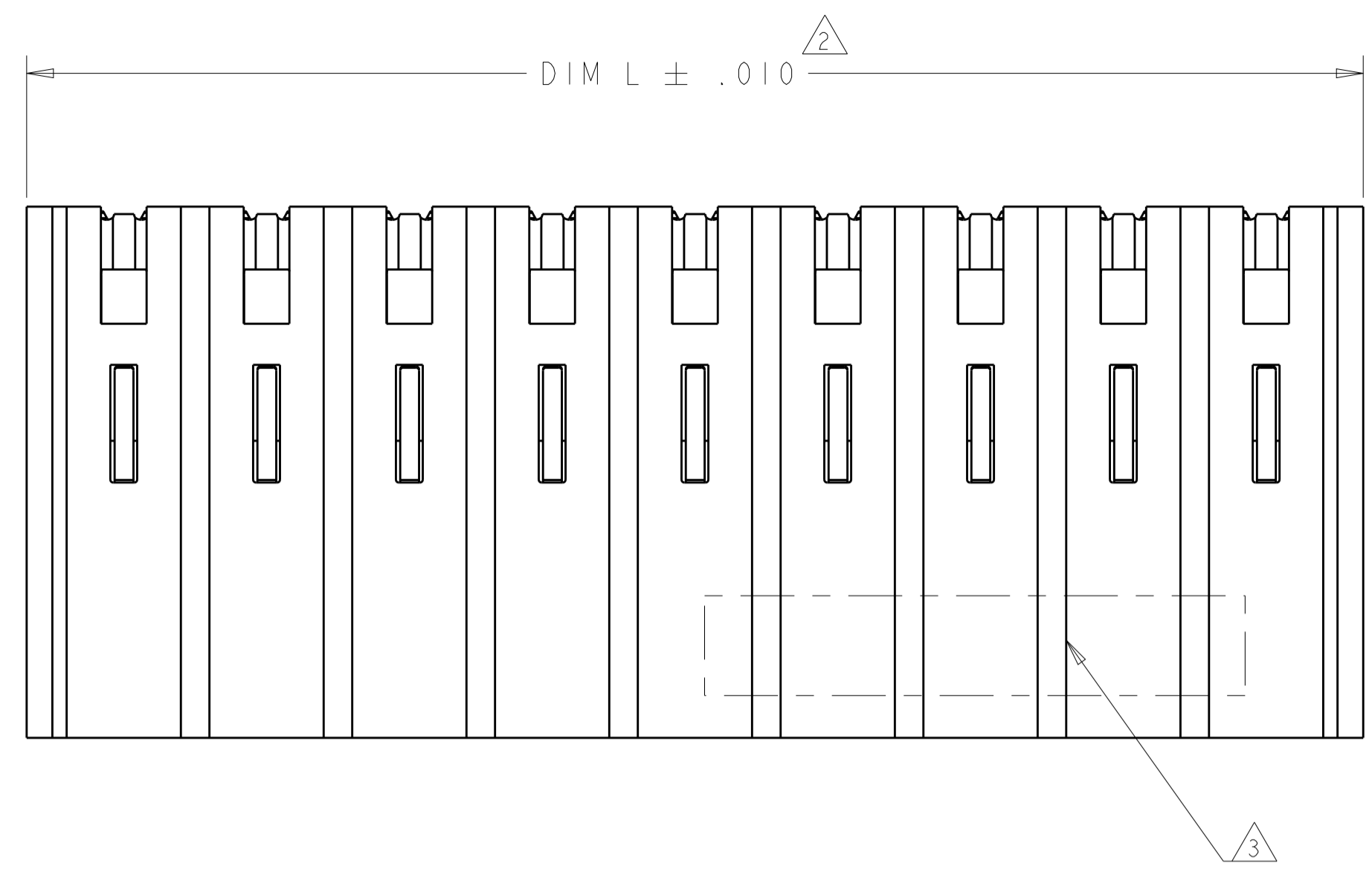
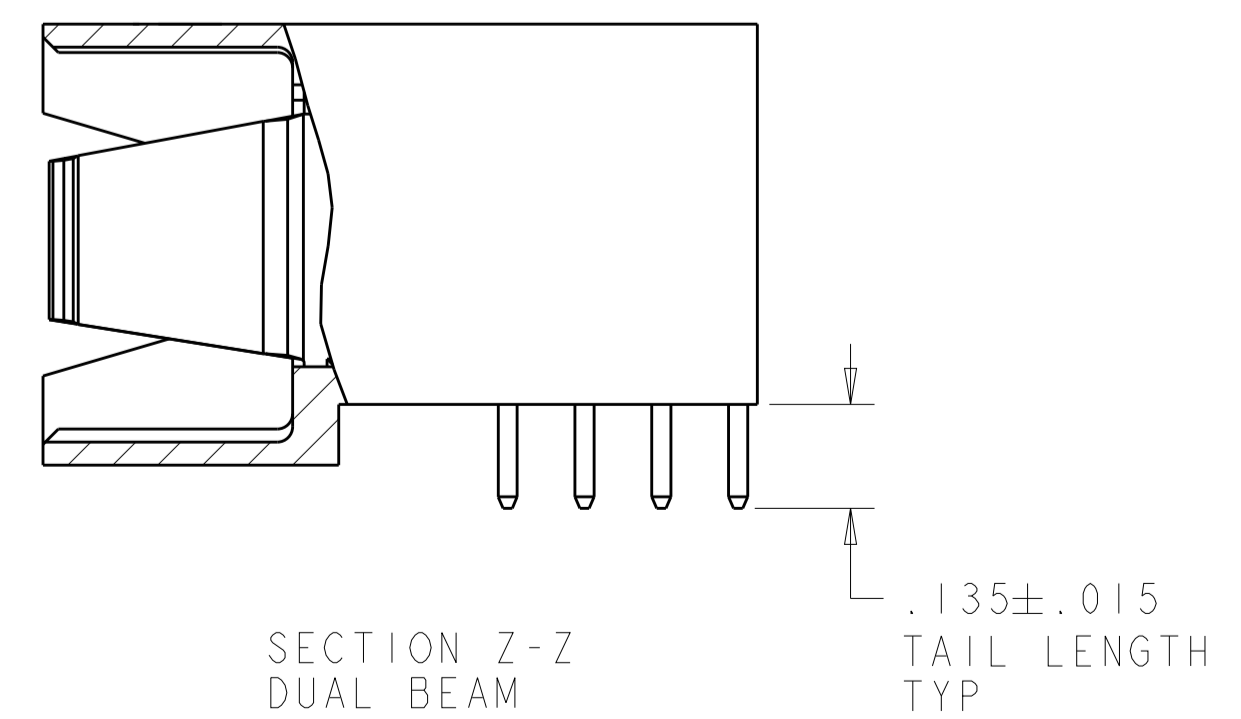
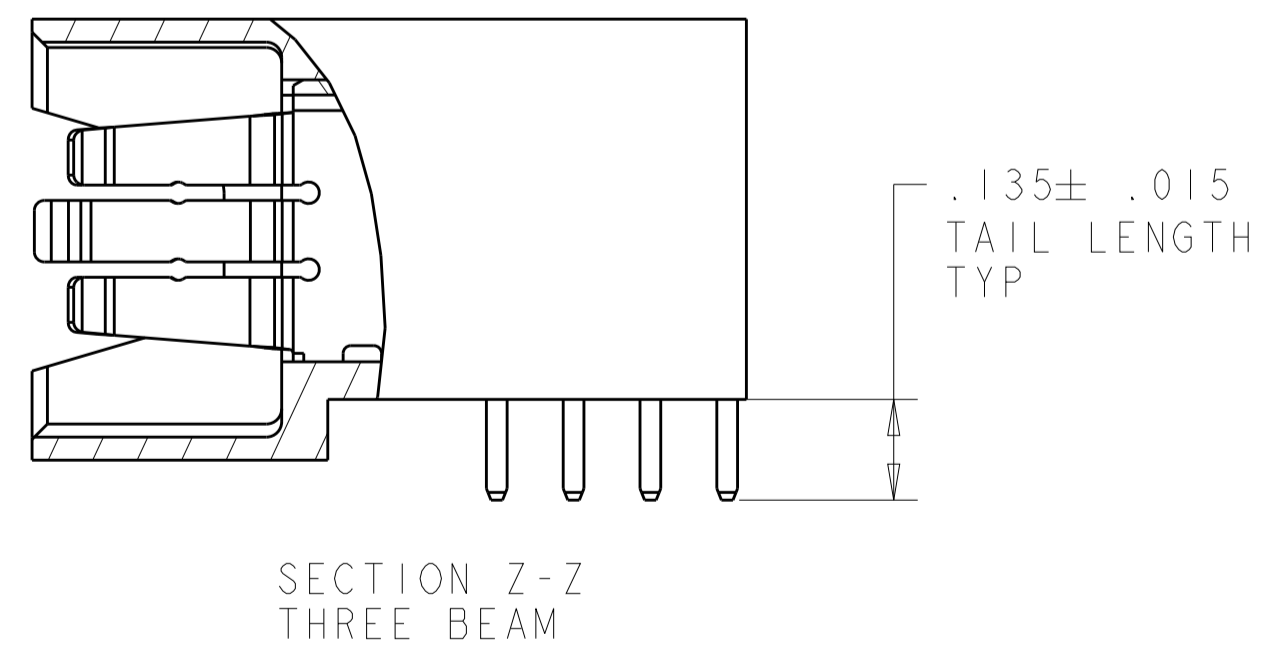
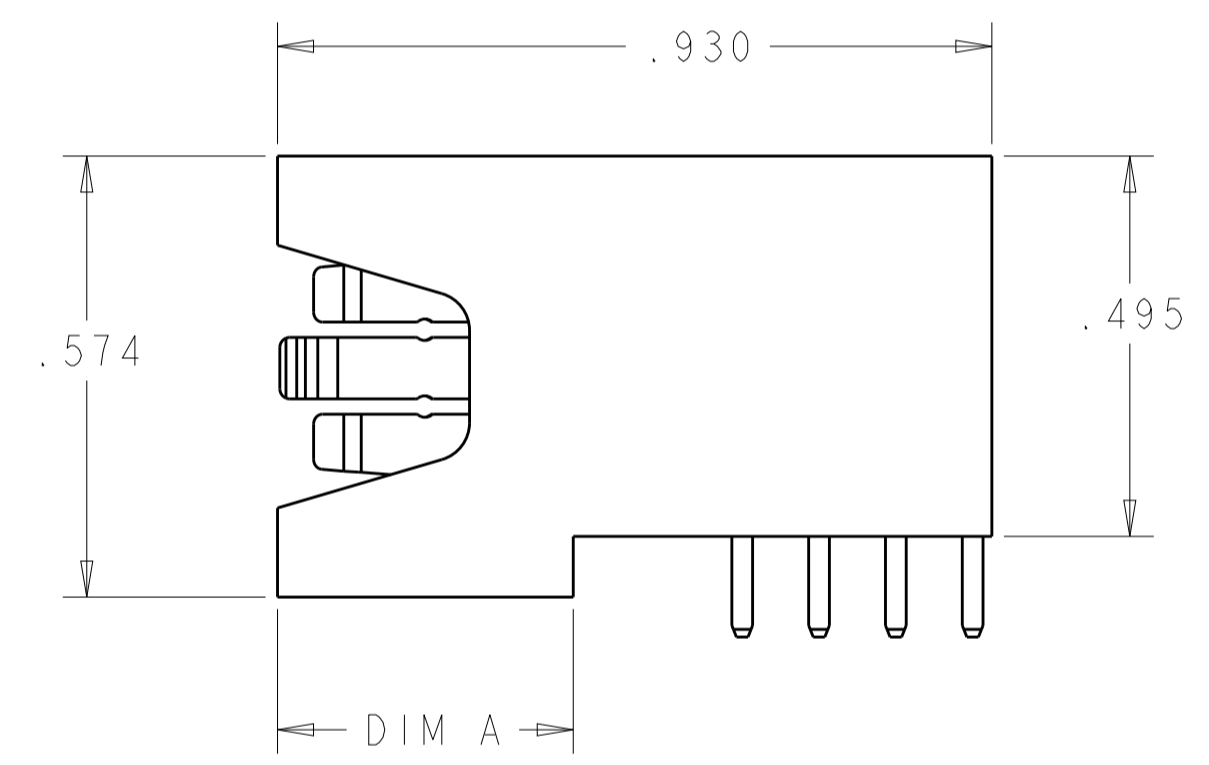
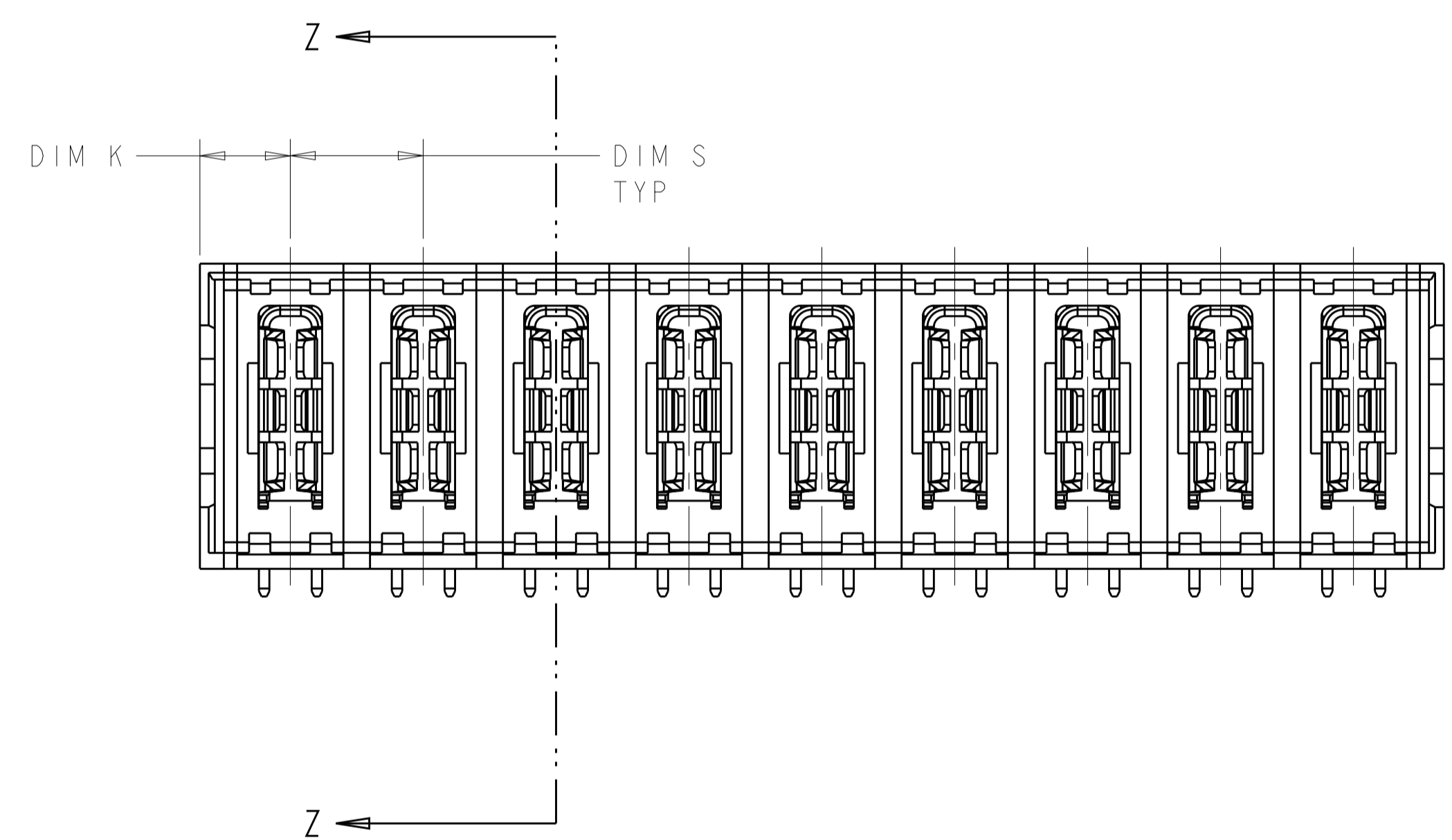


LOC	DIST	REVISIONS			
P	LTN	DESCRIPTION	DATE	DWN	APVD
ES	00	A3 ADVISED	20MAR2013	ML	SZ



- 1 DIMENSION S IS CENTERLINE SPACING OF POWER MODULE
- 2 THE MAXIMUM OVERALL LENGTH (DIM L) OF A PART IS 8.00
- 3 "AMP" PART NUMBER AND DATE CODE TO BE MARKED IN AREA SHOWN. PARTS UNDER 2.00 LONG MAY BE MARKED ON BOTH SIDES.
- 4 MATERIAL: HOUSING - GLASS FILLED HIGH TEMP THERMO PLASTIC, UL94 V-0  
POWER CONTACT - HIGH CONDUCTIVITY COPPER ALLOY
- 5 CONTACT PLATING:  
NOBLE METAL PLATED ON THE FUNCTIONAL CONTACT AREA OF POWER AND SIGNAL CONTACTS.
- 6 MECHANICAL CONNECTOR KEEP OUT ZONE
- 7 DATUM AND BASIC DIMENSIONS ESTABLISHED BY CUSTOMER
- 8 PCB - ALL HOLE DIAMETERS ARE FINISHED HOLE SIZES.
- 9 PCB - .0453±.0010 DRILLED HOLES WITH .0003 WITH Sn OVER .001 TO .003 Cu PLATING TO ACHIEVE A .040±.003 DIA HOLE
- 10 NOT RELEASED FOR PRODUCTION.



DIM A	DIM S	DIM L	DIM K	DESCRIPTION	PART NUMBER
.325	.250	.520	.135	2P	1892107-3
.385	.250	.590	.170	2P	1892107-2
.385	.250	2.340	.170	9P	1892107-1

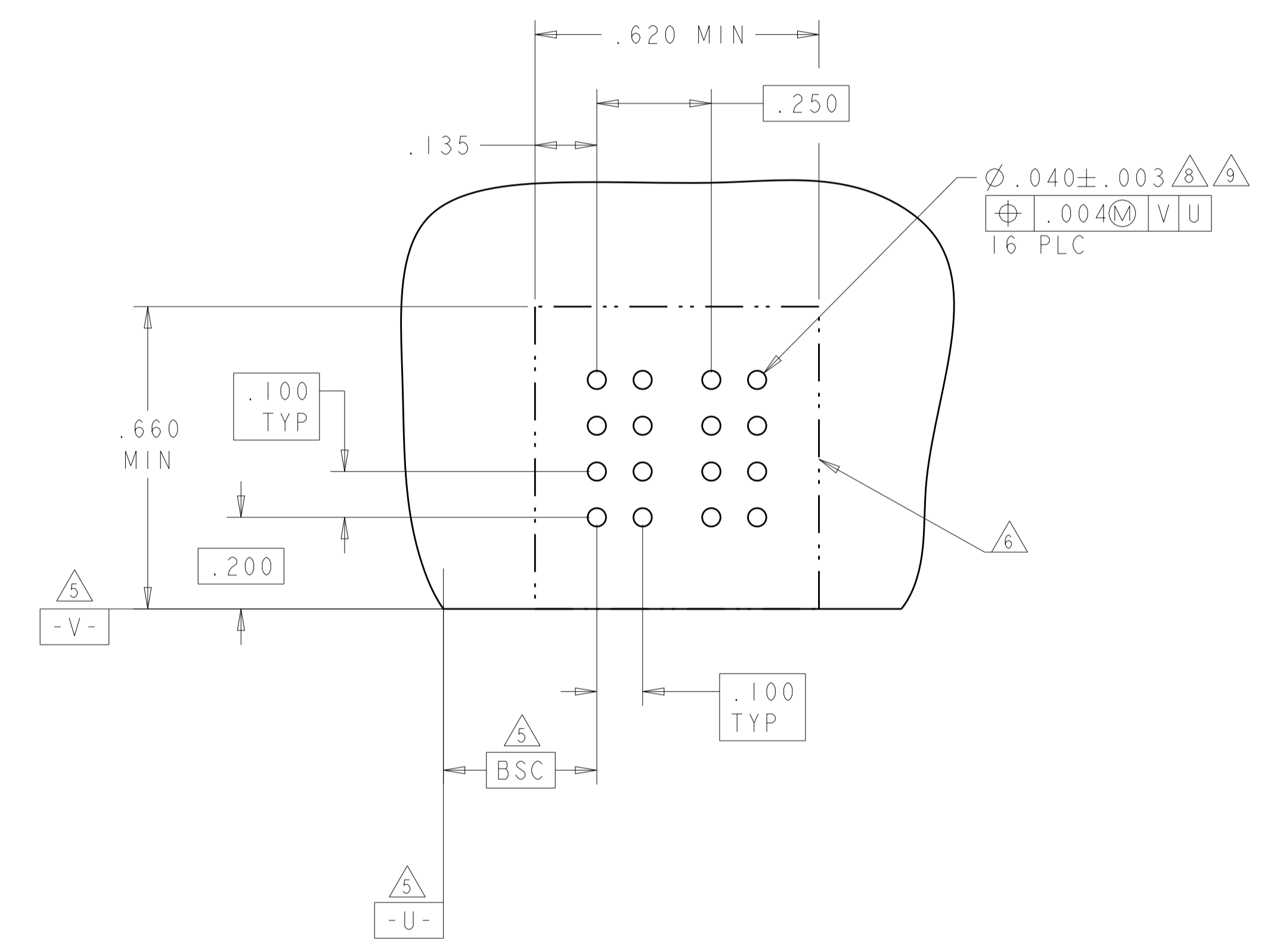
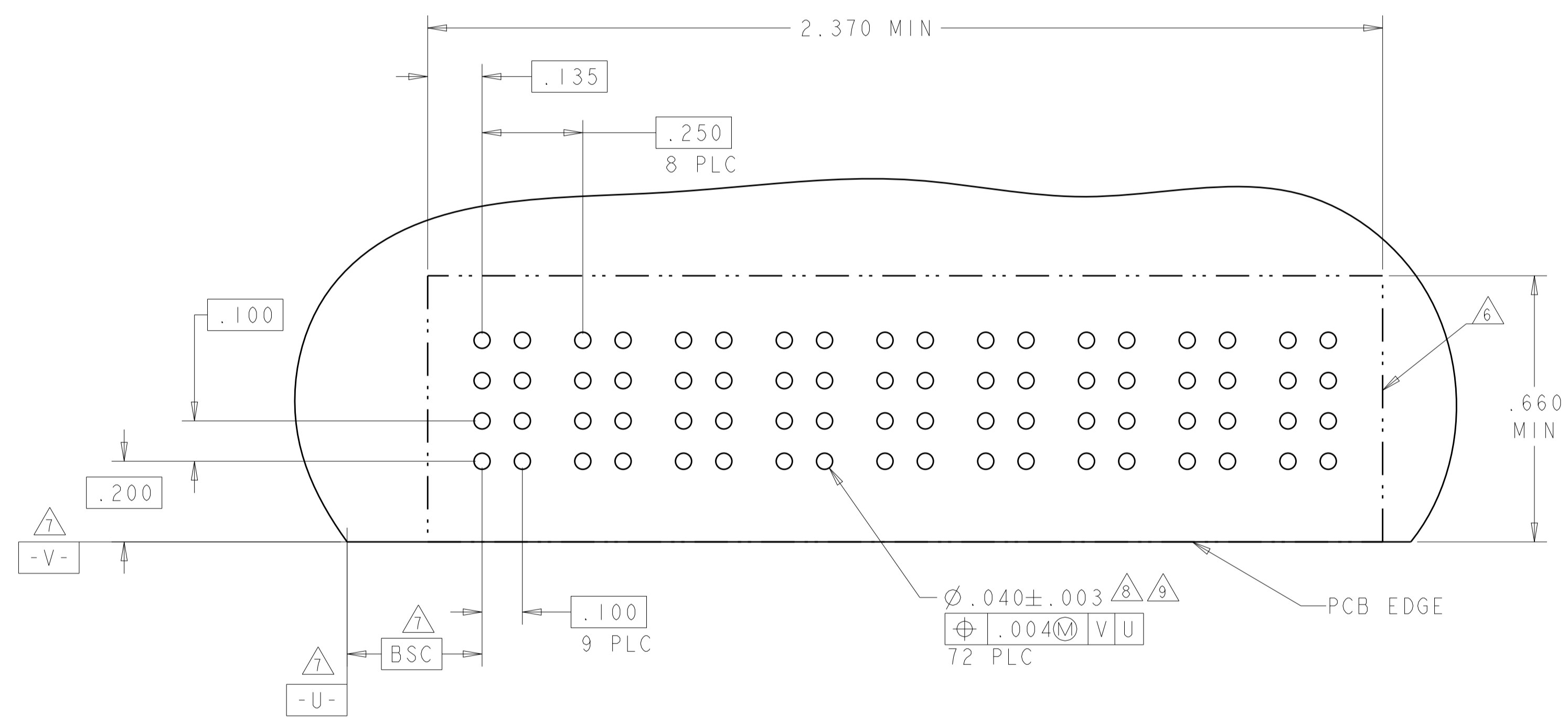
THIS DRAWING IS A CONTROLLED DOCUMENT.

DIMENSIONS: INCHES	TOLERANCES UNLESS OTHERWISE SPECIFIED: 0 PLC ±. 1 PLC ±.01 2 PLC ±.01 3 PLC ±.005 4 PLC ±.0020 ANGLES ±.7°	DWN: Denny Zhu 16JAN2007 CHK: Sunny Zhao 16JAN2007 APVD: S. YAO	NAME: <b>STE</b> TE Connectivity
MATERIAL: 4	FINISH: 5	PRODUCT SPEC: 108-1973 APPLICATION SPEC: 114-13038	RIGHT ANGLE HEADER ASSEMBLY W/O GUIDES MULTI-BEAM XLE
Customer Drawing		SIZE: A1 CAGE CODE: 100779 DRAWING NO: 1892107	RESTRICTED TO: -
SCALE: 4:1		SHEET: 1 OF 3	REV: A3

LOC	DIST	REVISIONS			
P	LTN	DESCRIPTION	DATE	DMN	APVD
ES	00	SEE SHEET 1	-	-	-

PART NUMBER	ROWS	POWER								
		P1	P2	P3	P4	P5	P6	P7	P8	P9
1892107-1	D C B A	TM	TM	TM	TM	TM	TM	TM	TM	TM
9P										

PART NUMBER	ROWS	POWER	
		P1	P2
1892107-2	D C B A	TM	TM
2P			

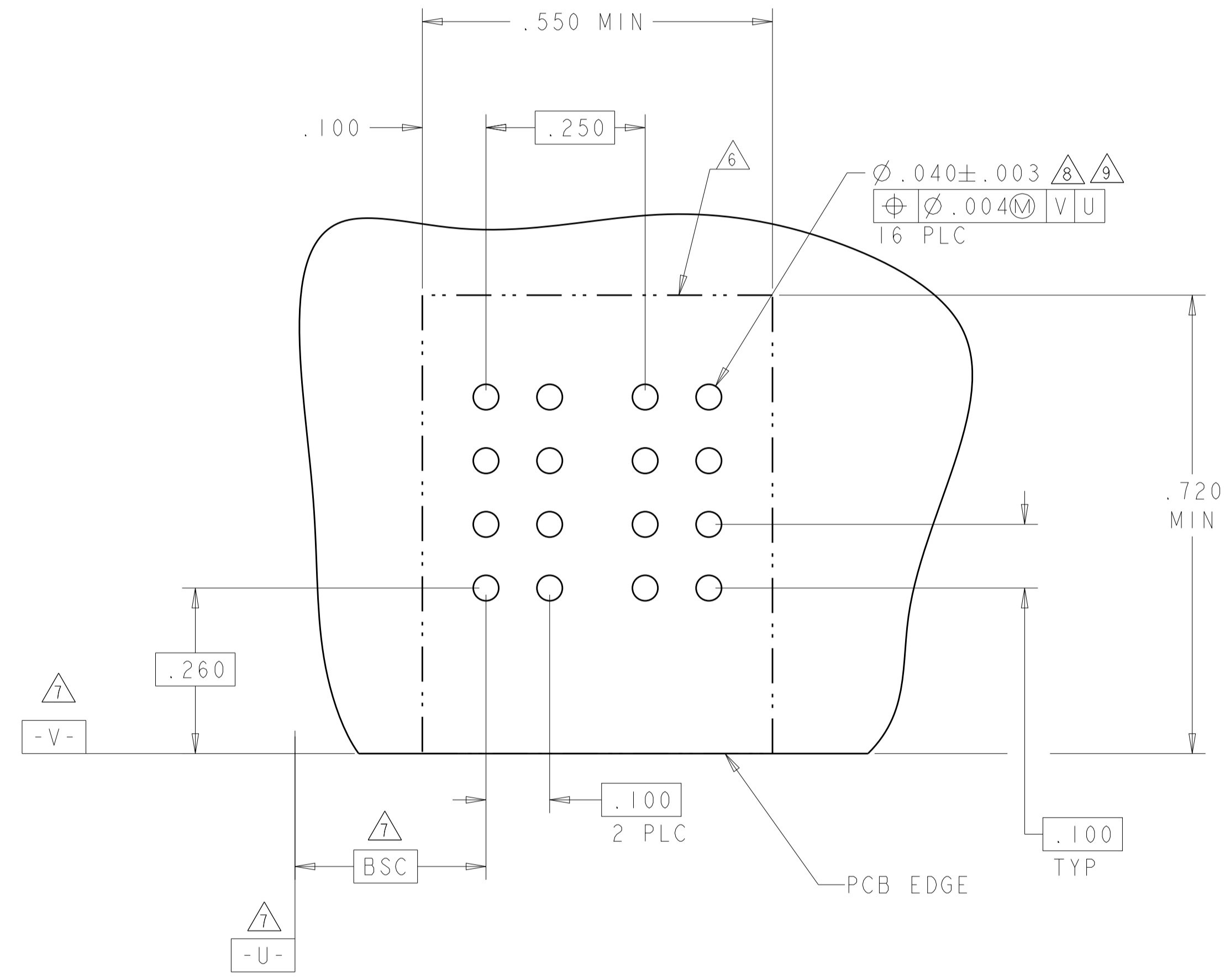


PS	DUAL BEAM POWER CONTACT, .135 SOLDER LENGTH
TM	THREE BEAM POWER CONTACT .135 SOLDER LENGTH
CODE	DESCRIPTION

THIS DRAWING IS A CONTROLLED DOCUMENT.		DMN: Denny Zhu 16JAN2007	TE Connectivity
DIMENSIONS: INCHES		CHK: Sunny Zhao 16JAN2007	
TOLERANCES UNLESS OTHERWISE SPECIFIED:		APVD: S. YAO	NAME: RIGHT ANGLE HEADER ASSEMBLY
0 PLC ± .01	1 PLC ± .01	PRODUCT SPEC: 108-1973	W/O GUIDES
2 PLC ± .01	3 PLC ± .005	APPLICATION SPEC: 114-13038	MULTI-BEAM XLE
4 PLC ± .0020	ANGLES ± .2°	SIZE: 114-13038	RESTRICTED TO:
MATERIAL: -	FINISH: -	WEIGHT: -	A100779C=1892107
Customer Drawing		SCALE: 4:1	SHEET 2 OF 3 REV A3

LOC		DIST		REVISIONS			
P	LTN	DESCRIPTION	DATE	DMN	APVD		
-	-	SEE SHEET 1	-	-	-		

PART NUMBER	ROWS	POWER	
		P1	P2
1892107-3	D C B A	PS	PS
2P			



THIS DRAWING IS A CONTROLLED DOCUMENT.		DMN: Denny Zhu 16JAN2007	TE Connectivity
DIMENSIONS: INCHES		CHK: Sunny Zhao 16JAN2007	
TOLERANCES UNLESS OTHERWISE SPECIFIED: 0 PLC ±. 1 PLC ±. 2 PLC ±.01 3 PLC ±.005 4 PLC ±.0020 ANGLES ±°		APVD: S. YAO	NAME: RIGHT ANGLE HEADER ASSEMBLY W/O GUIDES MULTI-BEAM XLE
		PRODUCT SPEC: 108-1973	RESTRICTED TO:
MATERIAL: -		APPLICATION SPEC: 114-13038	SIZE: A1
FINISH: -		WEIGHT: -	CAGE CODE: 100779
		Customer Drawing	DRAWING NO: 1892107
		SCALE: 4:1	SHEET 3 OF 3
			REV: A3

单击下面可查看定价，库存，交付和生命周期等信息

[>>TE Connectivity\(泰科\)](#)