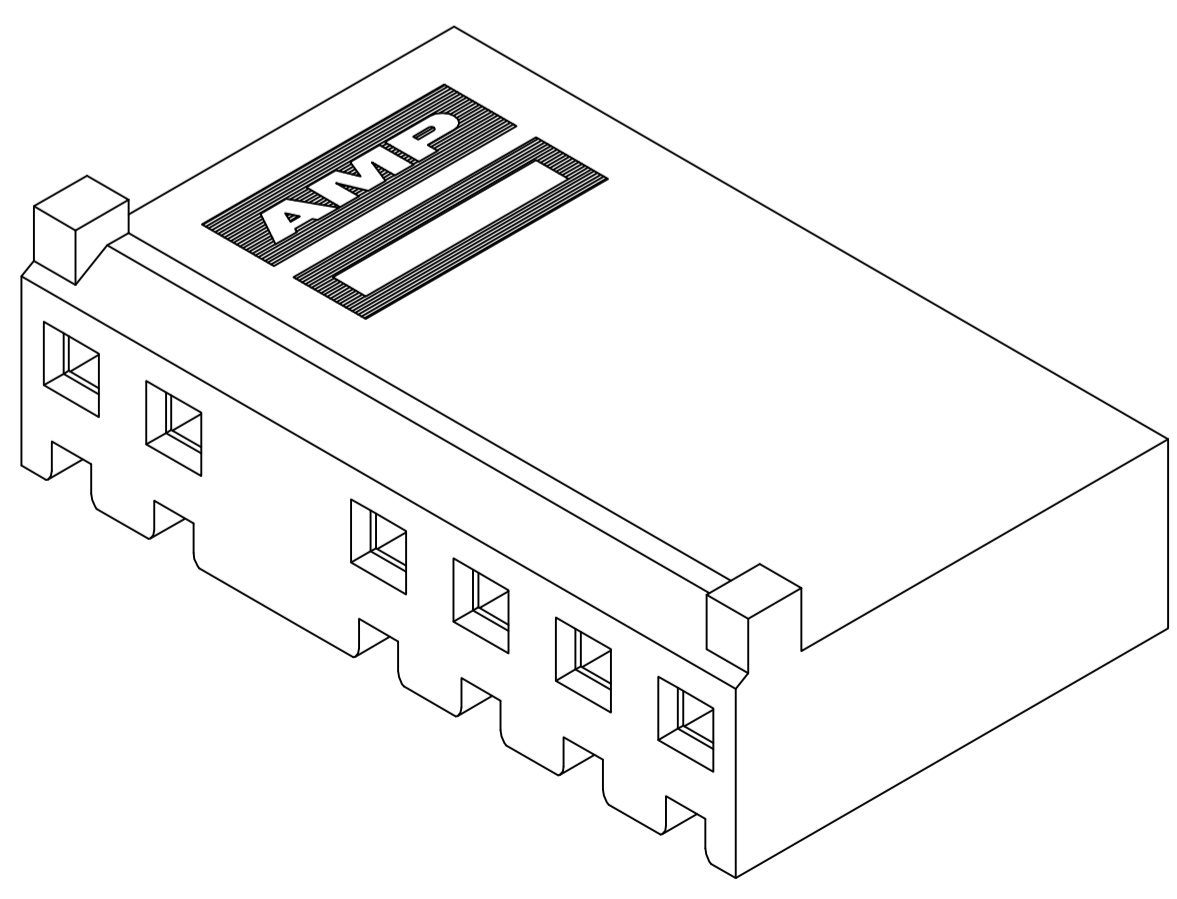
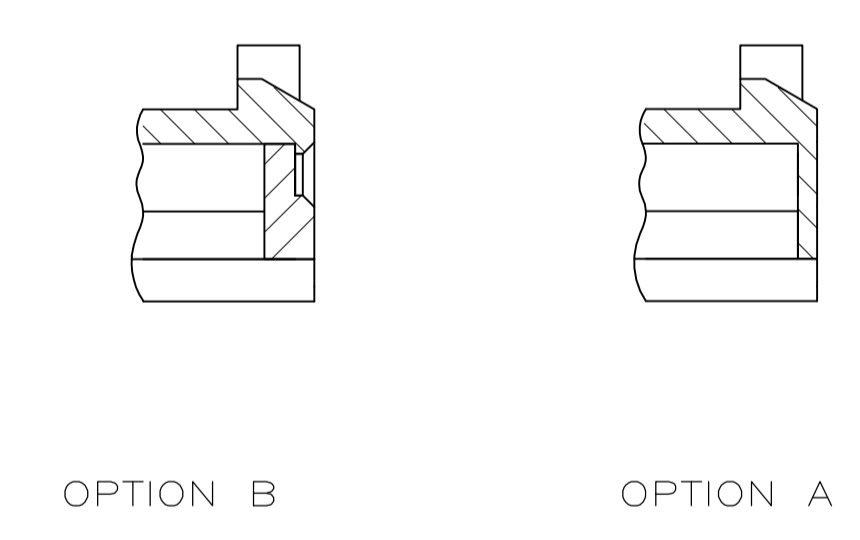
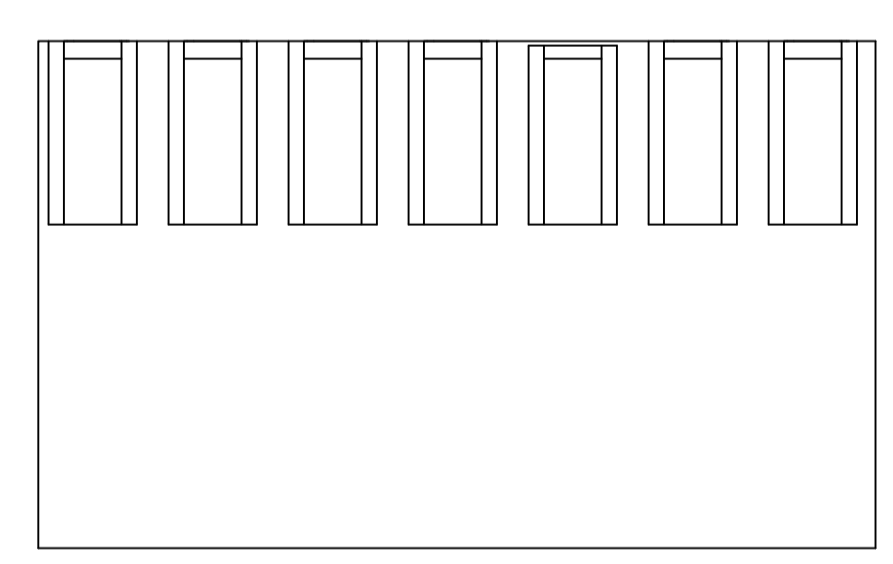
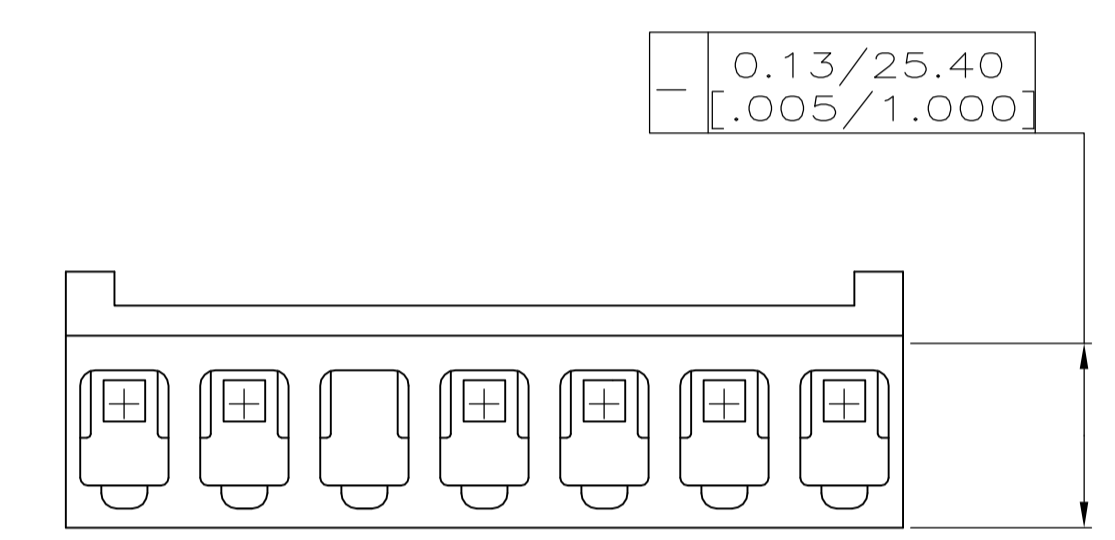
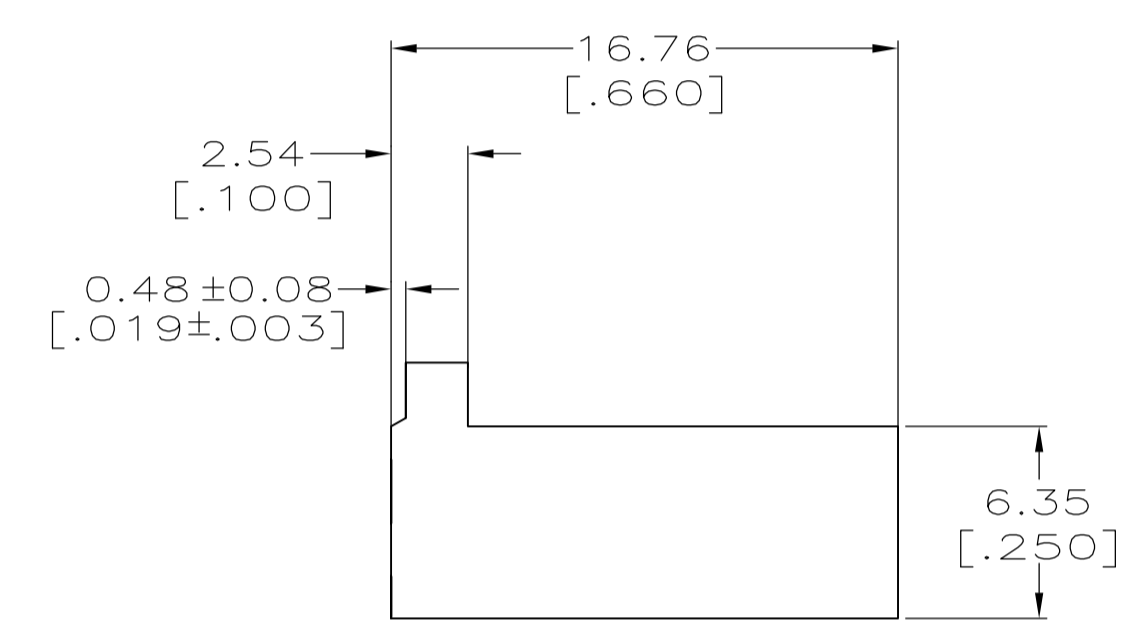
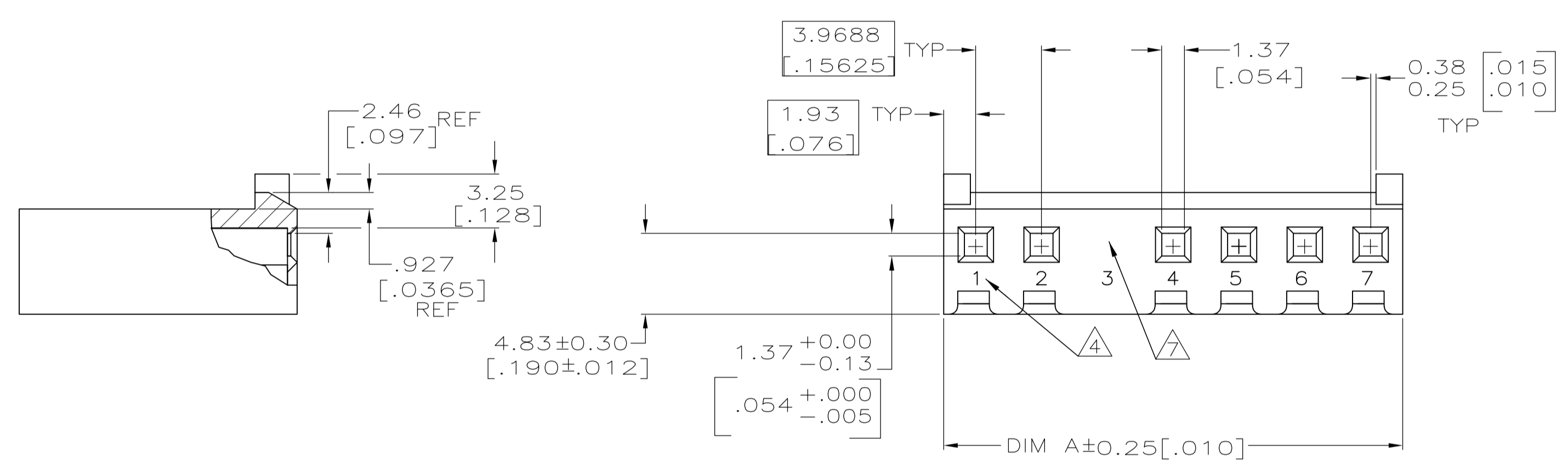
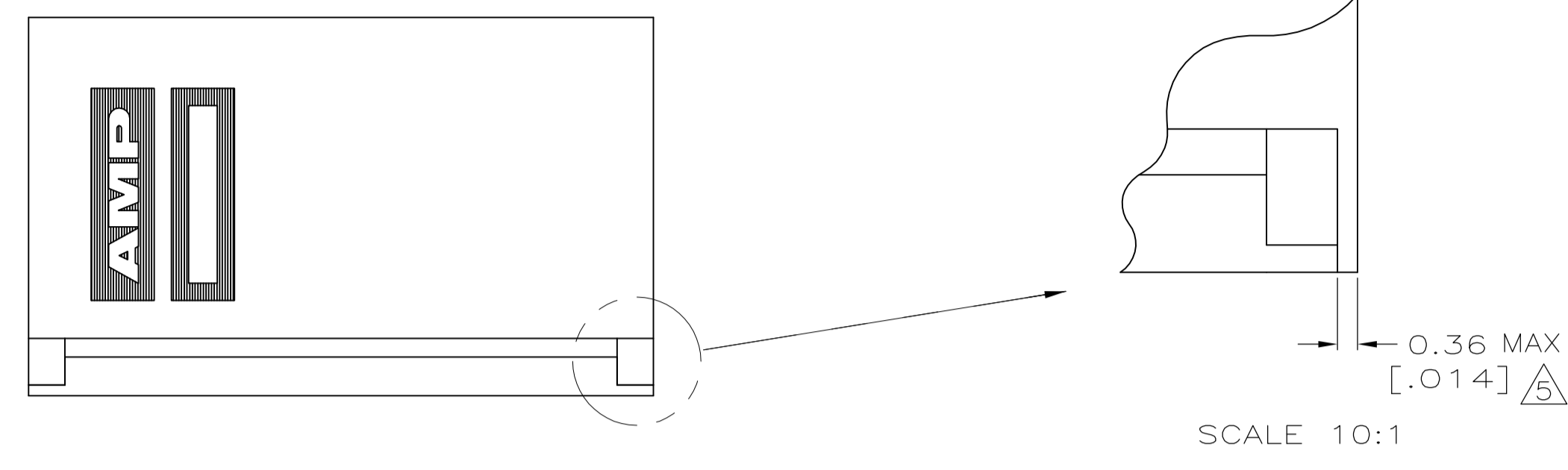


LOC		DIST		REVISIONS			
CM	54	REV	DATE	BY	CHK	APPV	
B		REVISED PER ECR-13-001287	08FEB13	KH	TM		

- 1 UNIT ACCEPTS 1.14[.045] SQUARE OR ROUND POST.
- 2 UNIT ACCEPTS STANDARD SL-156 CONTACTS.
- 3 UNIT ACCEPTS KEYING PLUG 640254-1 AND KEYING PIN 640255-1.
- 4 IDENTIFICATION NUMBER FOR ALL POSITIONS, OR FOR POSITION 1 ONLY, WILL BE LOCATED AS SHOWN.
- 5 OPTIONAL CONSTRUCTION, BOTH ENDS.
- 6 DIMENSIONS IN BRACKETS ARE IN INCHES.
- 7 CIRCUIT NO.3 IS MOLDED CLOSED, USING EITHER OPTION A OR OPTION B.



3-DIMENSIONAL MODEL NTS

27.69[1.090]	7	1744415-1
DIM A	NO OF POSN	PART NUMBER

THIS DRAWING IS A CONTROLLED DOCUMENT.		BIN: JR_RUTH 25OCT11		NAME: HOUSING WITH LOCKING RAMP AND POLARIZING TABS, CIRCUIT NO. 3 CLOSED, SL-156	
DIMENSIONS: mm [INCHES]		TOLERANCES UNLESS OTHERWISE SPECIFIED:		APPROVED: SAM_MACE 25OCT11	
0 PLC ± -		1 PLC ± -		PRODUCT SPEC	
2 PLC ± -		3 PLC ± 0.13 [.005]		APPLICATION SPEC	
3 PLC ± -		4 PLC ± -		SIZE: A1	
4 PLC ± -		FINISH: -		WEIGHT: -	
MATERIAL: NYLON,UL 94V-0		FINISH: -		CUSTOMER DRAWING	
SCALE: 4:1		SHEET: 1 OF 1		REV: B	

单击下面可查看定价，库存，交付和生命周期等信息

[>>TE Connectivity\(泰科\)](#)