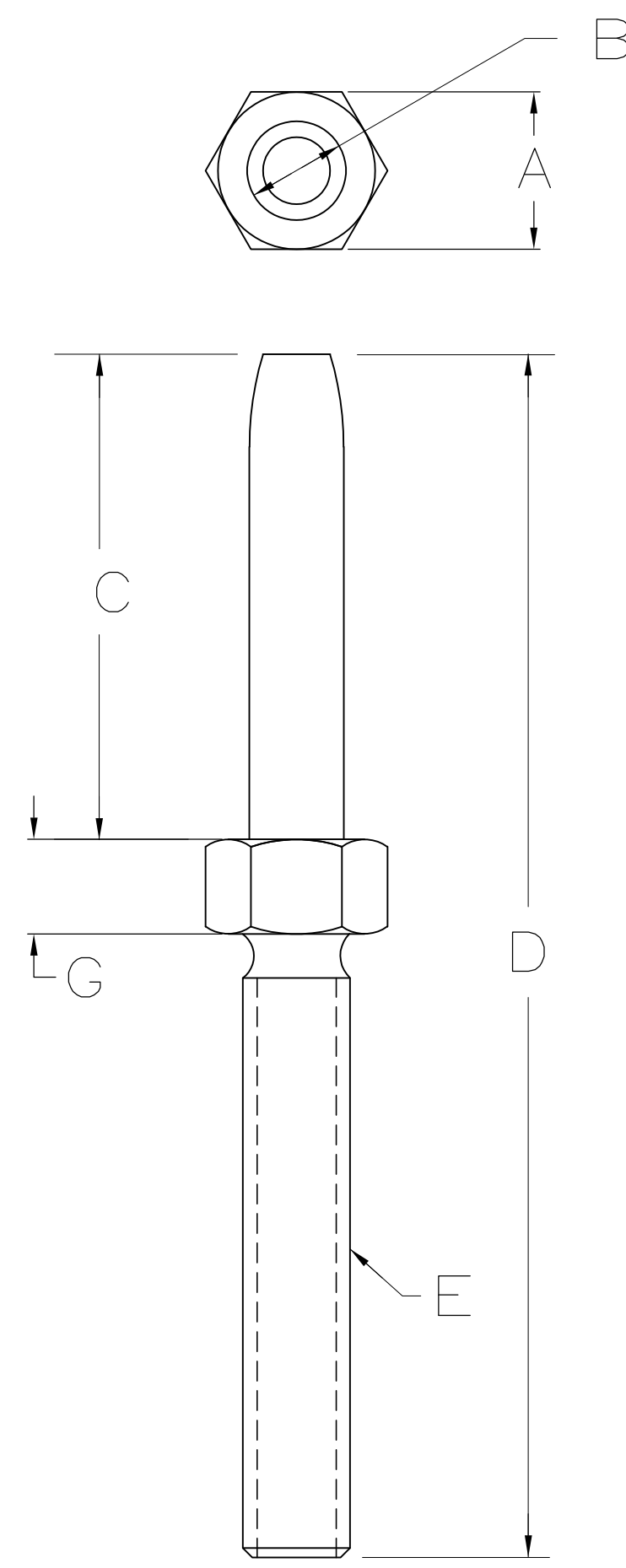
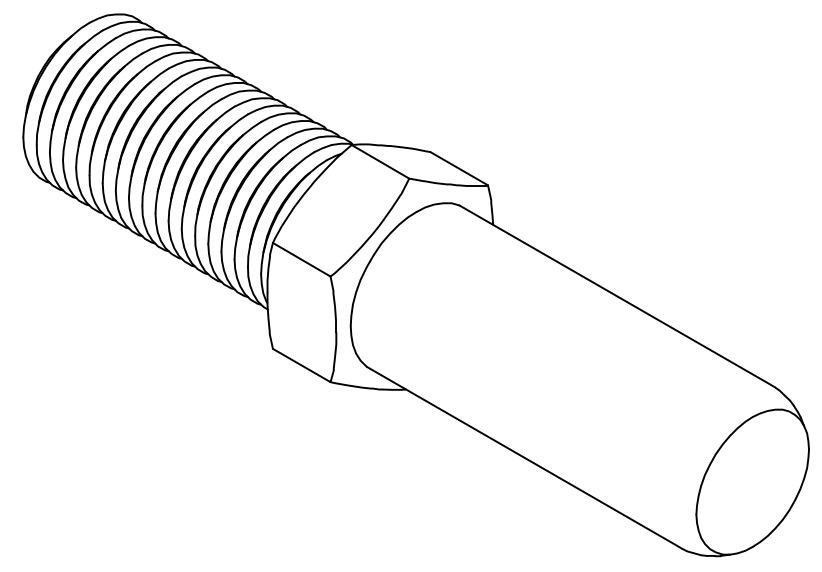


LOC	DIST	P	F	ZONE	LTR	DESCRIPTION	DATE	APPD
CH	11				A 1	REV'D AND REDRAWN		
					B	ECN CH-0141		
					C	ECN OB20-1046-98		RAR
					D	ECN OB20-1046-98	14/AUG/98	RAR
					E	ECN OB20-1048-98	14/AUG/98	RAR
					E1	REVISED PER ECO-09-020935	08SEP09	AEG



NOTE:
 1 OBSOLETE PARTS: OBSOLETE CIS STREAMLINING PER D.RENAUD/D.SINISI

OBSOLETE	SUPERCEDED TO 192293-1									1-192161-1
	NOT AVAILABLE									1-192161-0
	NOT AVAILABLE									192161-9
	NOT AVAILABLE									192161-8
	NOT AVAILABLE									192161-7
	10264	NICKEL	BRASS	5/16	3.8 [.15]	19.8 [.78]	51.6 [2.03]	1/4-28	6.0 [.236]	192161-6
	SUPERCEDED TO 192244-1									192161-5
OBSOLETE	09038	SIL	BRASS	5/16	3.8 [.15]	19.8 [.78]	51.6 [2.03]	M6 X 1-6g	6.0 [.236]	192161-4
	10962	SIL	BRASS	1/4	3.8 [.15]	19.6 [.77]	33.8 [1.33]	10-32	4.0 [.157]	192161-3
	09027	SIL	BRASS	1/4	3.8 [.15]	19.6 [.77]	48.5 [1.91]	M5 X 0.8-6g	4.0 [.157]	192161-2
	09174	SIL	BRASS	1/4	3.8 [.15]	19.6 [.77]	48.5 [1.91]	10-32	4.0 [.157]	192161-1
HUGIN NO.	FINISH	MATERIAL	HEX SIZE A	HEX LENGTH G	PIN LENGTH C	TOT. LENGTH D	THREAD E	PIN DIAM B	PART NO	



METRIC

DO NOT SCALE PRINT. UNLESS SPECIFIED DIMENSIONS IN mm [INCHES] TOLERANCES ON : 1 PLC DEC ± 0.5 [.02] 2 PLC DEC ± 0.25 [.010] ANGLES ± -	DR D. BABOW 10-17-91	AMP Incorporated Harrisburg, PA 17105-3608	
MATERIAL SEE TABLE	CHK - APPD -	NAME PIN, THREAD MOUNT	
FINISH SEE TABLE	APPD - PRODUCT SPEC - APPLICATION SPEC -	SIZE C CAGE CODE 00779	DRAWING NO 192161
	WEIGHT -	SCALE NTS	SHEET 1 OF 1

单击下面可查看定价，库存，交付和生命周期等信息

[>>TE Connectivity\(泰科\)](#)