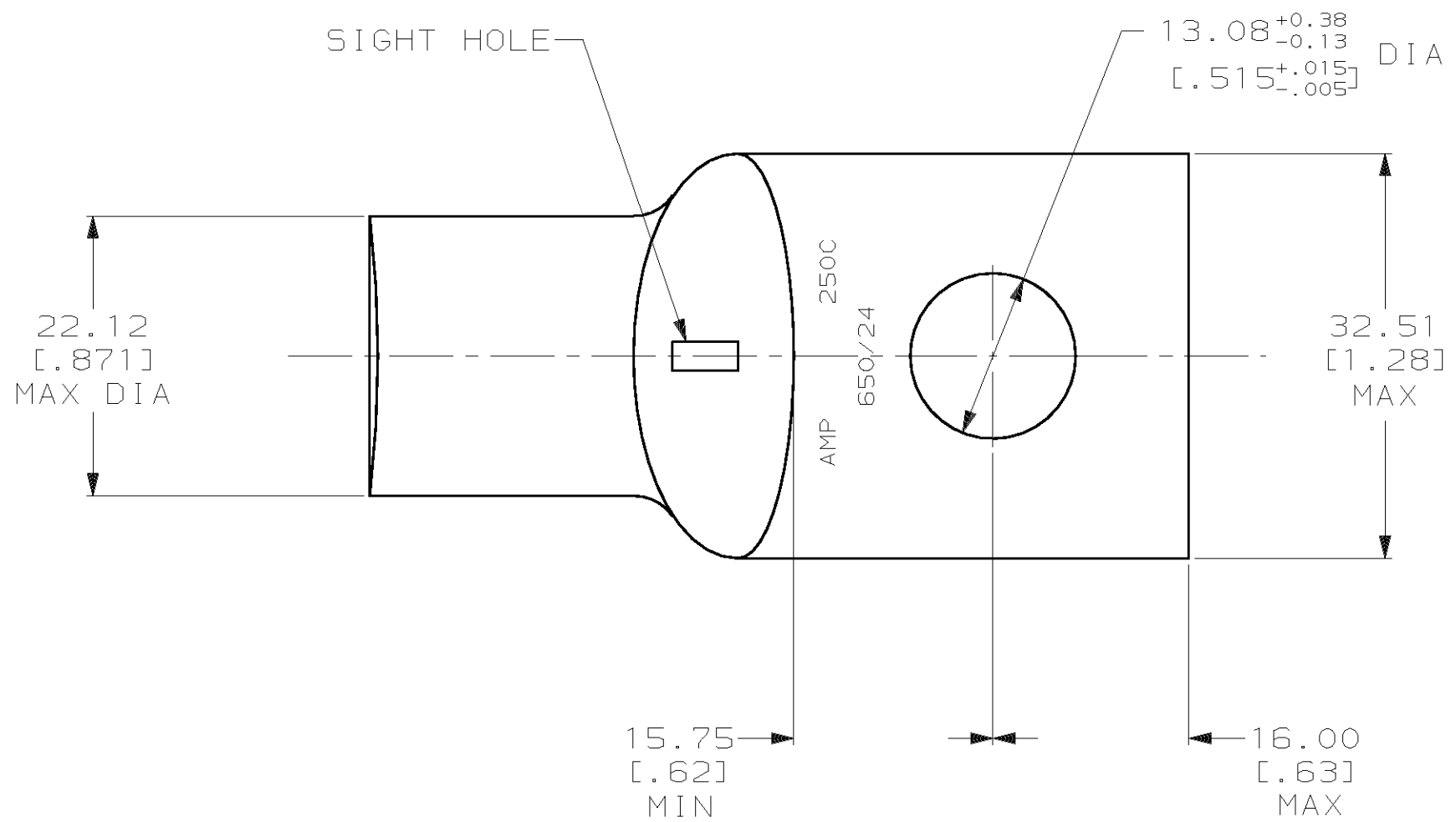
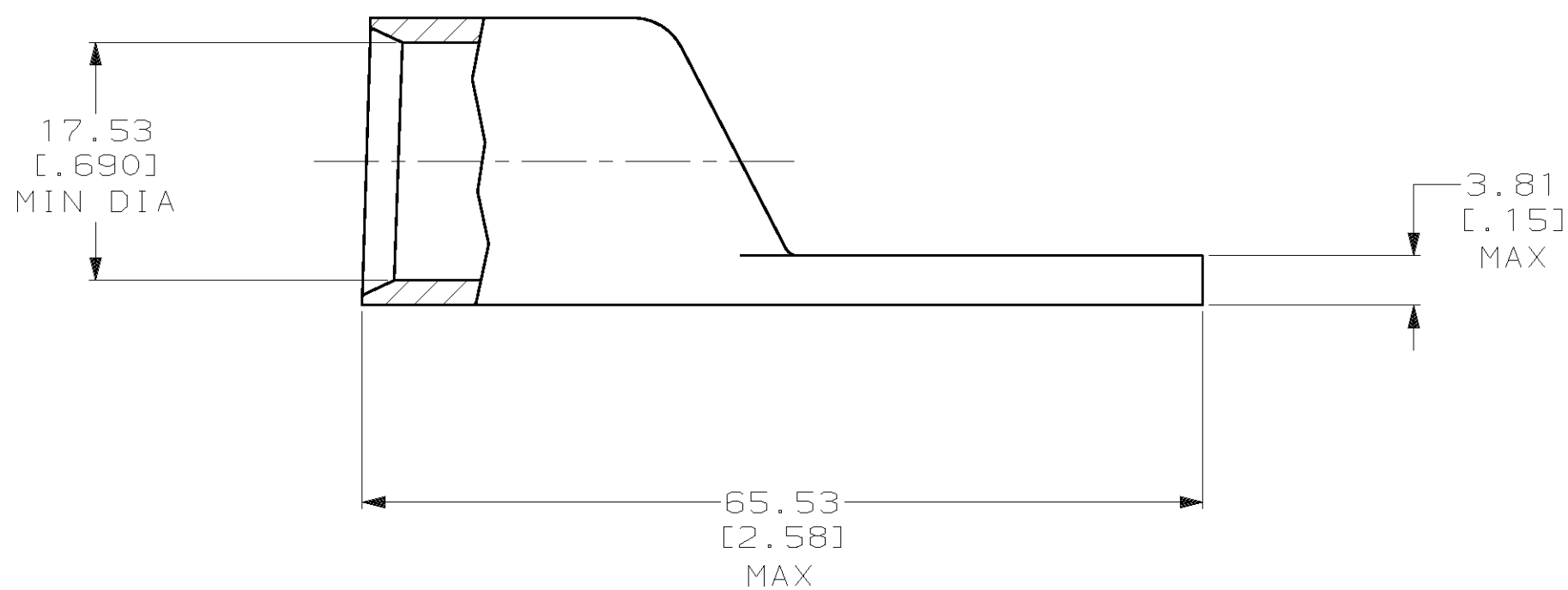


THIS DRAWING IS UNPUBLISHED. RELEASED FOR PUBLICATION
 © COPYRIGHT 19 BY AMP INCORPORATED. ALL INTERNATIONAL RIGHTS RESERVED.

LOC		DIST		P		F		ZONE		LTR		REVISIONS		DATE	APPD
G		86								N		REV PER 063A-0561-01		08OCT02	JR/MS



1 CIRCULAR MIL AREA RANGE: 231-275 MCM
 2 TIN PL 0.00381 [.000150] MIN THK PER MIL-T-10727



DO NOT SCALE PRINT. UNLESS SPECIFIED DIMENSIONS IN mm [INCHES] TOLERANCES ON : 2 PLC DEC ± 0.51 [.020] 3 PLC DEC ± - ANGLES ± -		DR 02/28/90 DK SCHRUM	AMP INCORPORATED Harrisburg, Pa. 17105	
MATERIAL ANNEALED COPPER ASTM B-75		CHK 20JAN95 MS FEHER		
FINISH 2		APPD 20JAN95 WJ VOCKROTH	NAME TERMINAL, AMPPOWER™ WIRE SIZE: 250 MCM	
APPLICATION SPEC -		APPD 20JAN95 TL SHUTTER	PRODUCT SPEC 108-30200	SIZE C
WEIGHT .122 LB		APPLICATION SPEC -	SCALE 2:1	CAGE CODE 00779
			DRAWING NO 325705	SHEET 1 OF 1

单击下面可查看定价，库存，交付和生命周期等信息

[>>TE Connectivity\(泰科\)](#)