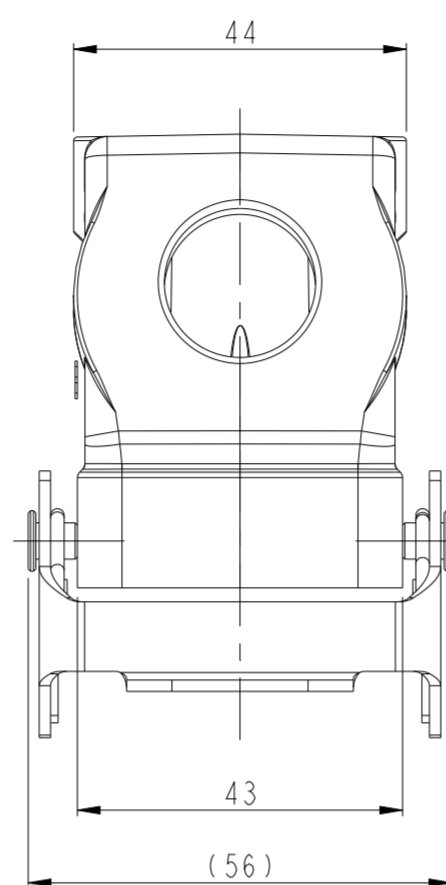
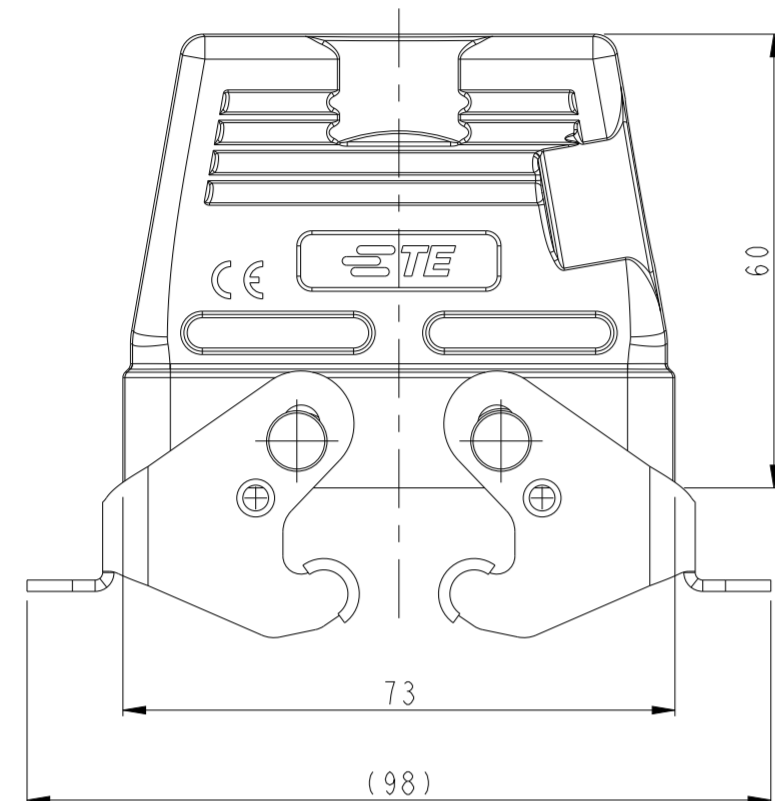


THIS DRAWING IS UNPUBLISHED. RELEASED FOR PUBLICATION 20
 © COPYRIGHT 20 BY - ALL RIGHTS RESERVED.

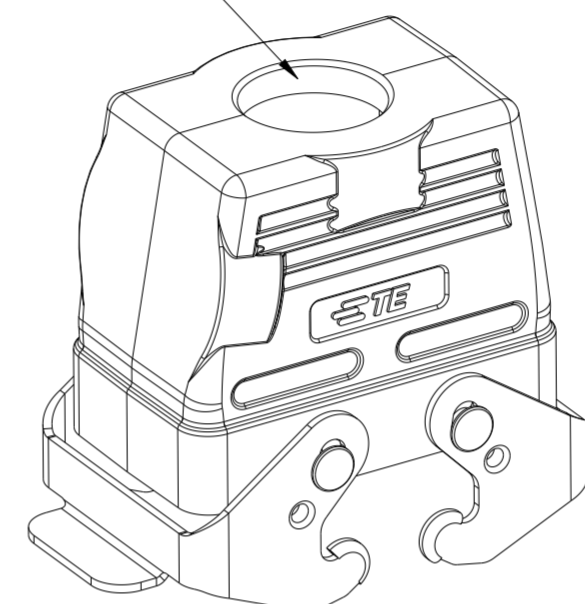
REVISIONS				
P	LTR	DESCRIPTION	DATE	APVD
A		INITIAL	24JUN2015	DW CW
AI		ECR-17-008664	16JUN2017	CH CW
B		ECR-20-008181	30JUN2020	WOR CW
BI		ECR-21-103925	01JUN2021	WOR CW

NOTES:
 1. TECHNICAL CHARACTERISTICS:
 HOOD MATERIAL: DIE CAST ALUMINIUM ALLOY
 SURFACE: POWDER COATED, GREY
 DEGREE OF PROTECTION: IP65 (MATED)

注释:
 1. 技术参数:
 上壳材料: 铝合金
 表面处理: 灰色粉末喷涂
 防护等级: IP65(配合)



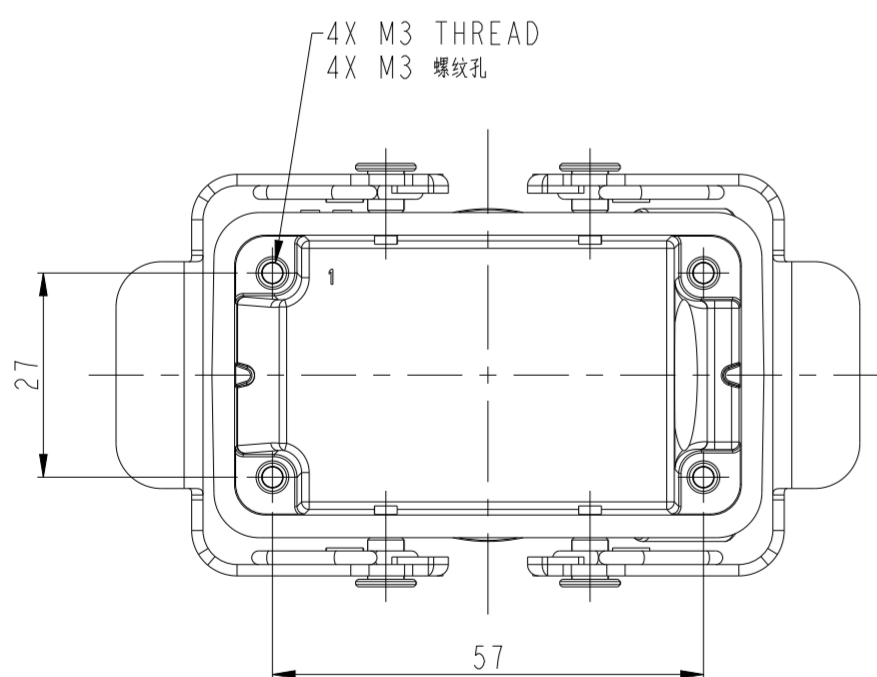
PG/M THREAD 2
PG/M 螺纹孔2



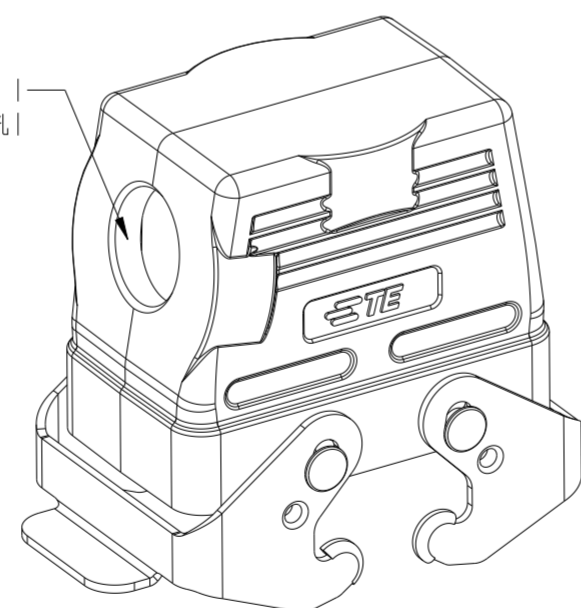
SCALE 4:5

TYPE 2: LOW CONSTRUCTION, TOP ENTRY
 WITH STEEL DOUBLE LOCKING
 OTHER SPEC REFER TO TYPE 1

类型2: 低结构, 顶出, 带彩锌双扣, 其它规格参照类型1



PG/M THREAD 1
PG/M 螺纹孔1



SCALE 4:5

TYPE 1: LOW CONSTRUCTION, SIDE ENTRY
 WITH STEEL DOUBLE LOCKING

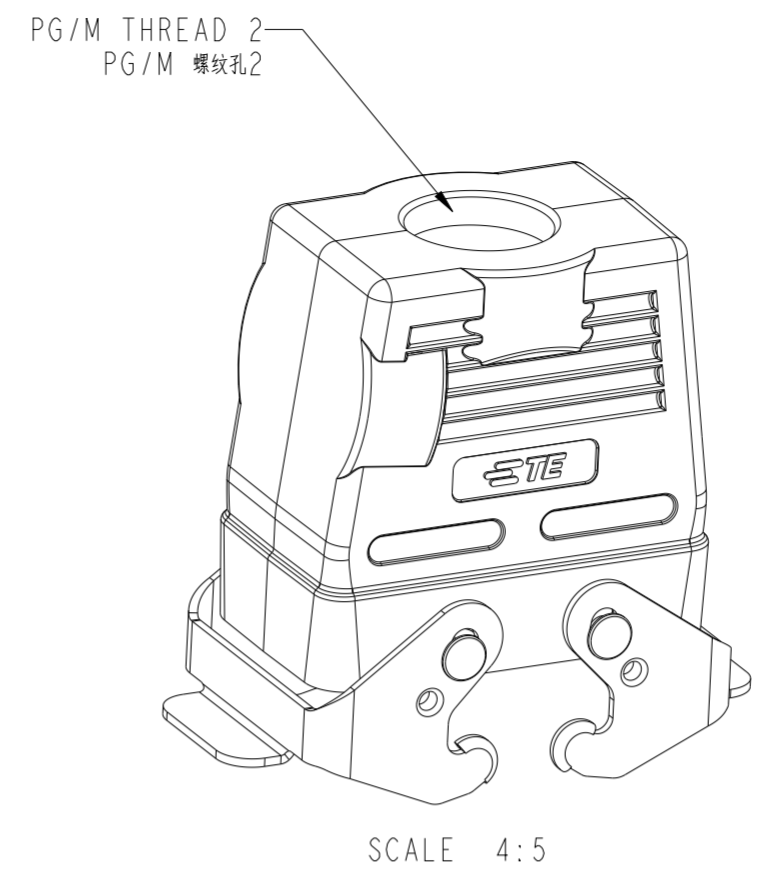
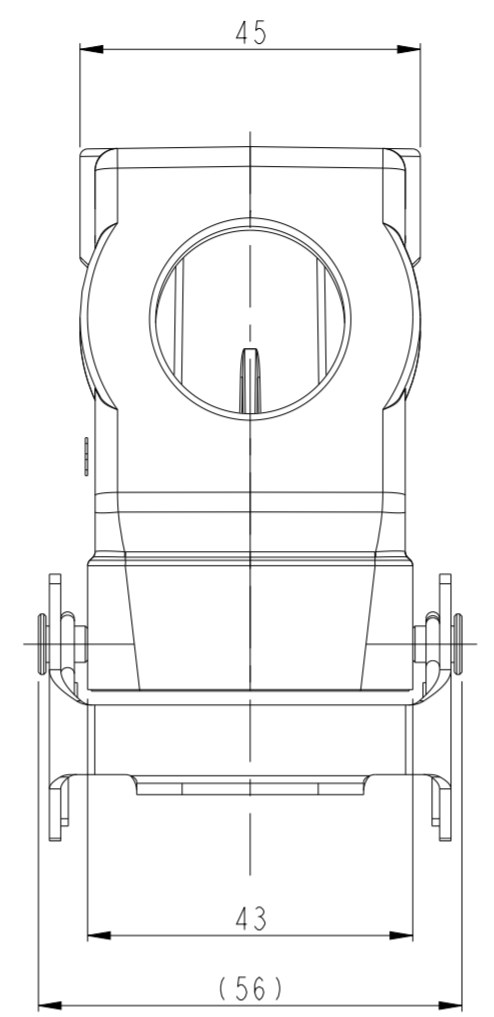
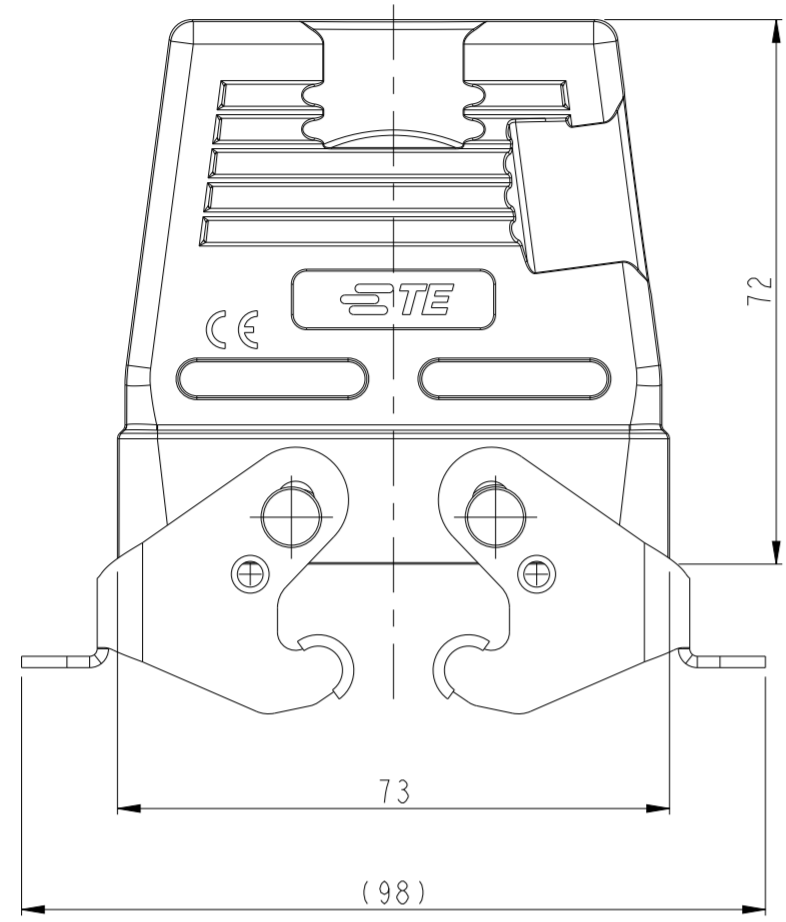
类型1: 低结构, 侧出, 带彩锌双扣

PART NUMBER 料号	PART DESCRIPTION 描述	PG/M THREAD 1 PG/M 螺纹孔1	PG/M THREAD 2 PG/M 螺纹孔2	TYPE 类型
T1260102125-000	H10B-TGB-M25 H10B HOOD, TOP ENTRY M25, METAL DOUBLE LOCKING, POWDER COATED, GREY H10B上壳, 顶出M25, 彩锌双扣, 灰色粉末喷涂	-	M25	TYPE 2 类型2
T1260102121-000	H10B-TGB-PG21 H10B HOOD, TOP ENTRY PG21, METAL DOUBLE LOCKING, POWDER COATED, GREY H10B上壳, 顶出PG21, 彩锌双扣, 灰色粉末喷涂	-	PG21	
T1260102120-000	H10B-TGB-M20 H10B HOOD, TOP ENTRY M20, METAL DOUBLE LOCKING, POWDER COATED, GREY H10B上壳, 顶出M20, 彩锌双扣, 灰色粉末喷涂	-	M20	
T1260102116-000	H10B-TGB-PG16 H10B HOOD, TOP ENTRY PG16, METAL DOUBLE LOCKING, POWDER COATED, GREY H10B上壳, 顶出PG16, 彩锌双扣, 灰色粉末喷涂	-	PG16	TYPE 1 类型1
T1250102125-000	H10B-TSB-M25 H10B HOOD, SIDE ENTRY M25, METAL DOUBLE LOCKING, POWDER COATED, GREY H10B上壳, 侧出M25, 彩锌双扣, 灰色粉末喷涂	M25	-	
T1250102120-000	H10B-TSB-M20 H10B HOOD, SIDE ENTRY M20, METAL DOUBLE LOCKING, POWDER COATED, GREY H10B上壳, 侧出M20, 彩锌双扣, 灰色粉末喷涂	M20	-	
T1250102116-000	H10B-TSB-PG16 H10B HOOD, SIDE ENTRY PG16, METAL DOUBLE LOCKING, POWDER COATED, GREY H10B上壳, 侧出PG16, 彩锌双扣, 灰色粉末喷涂	PG16	-	

THIS DRAWING IS A CONTROLLED DOCUMENT.		DWN DAVID.WANG 24JUN2015	STE TE Connectivity	
		CHK CHRIS.WANG 24JUN2015		
DIMENSIONS: mm		APVD XIANG.XU 24JUN2015	NAME H10B-TSB/TGB/TSBH/TGBH-M/PG	
TOLERANCES UNLESS OTHERWISE SPECIFIED:		PRODUCT SPEC 108-137013	RESTRICTED TO	
0 PLC ±		APPLICATION SPEC 114-137013	SIZE A2	CAGE CODE 00779
1 PLC ±		WEIGHT -	DRAWING NO C-T12X01021XX000	SHEET 1 OF 2
2 PLC ±		Customer Drawing	SCALE 1:1	REV BI
3 PLC ±				
4 PLC ±				
ANGLES ±				
FINISH -				

THIS DRAWING IS UNPUBLISHED. RELEASED FOR PUBLICATION 20
 © COPYRIGHT 20 BY - ALL RIGHTS RESERVED.

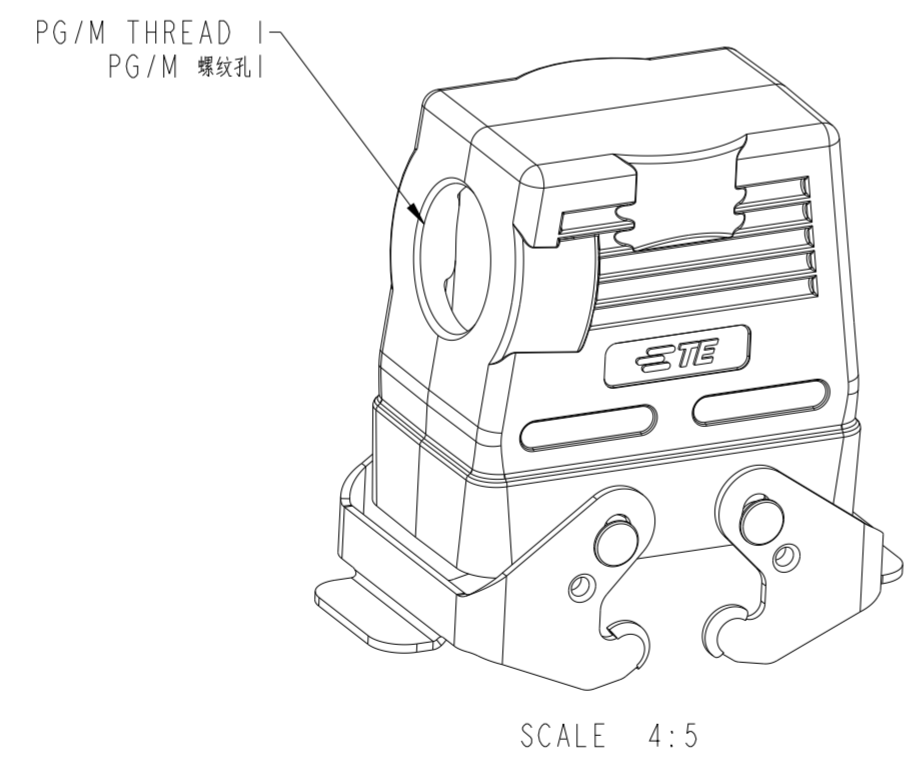
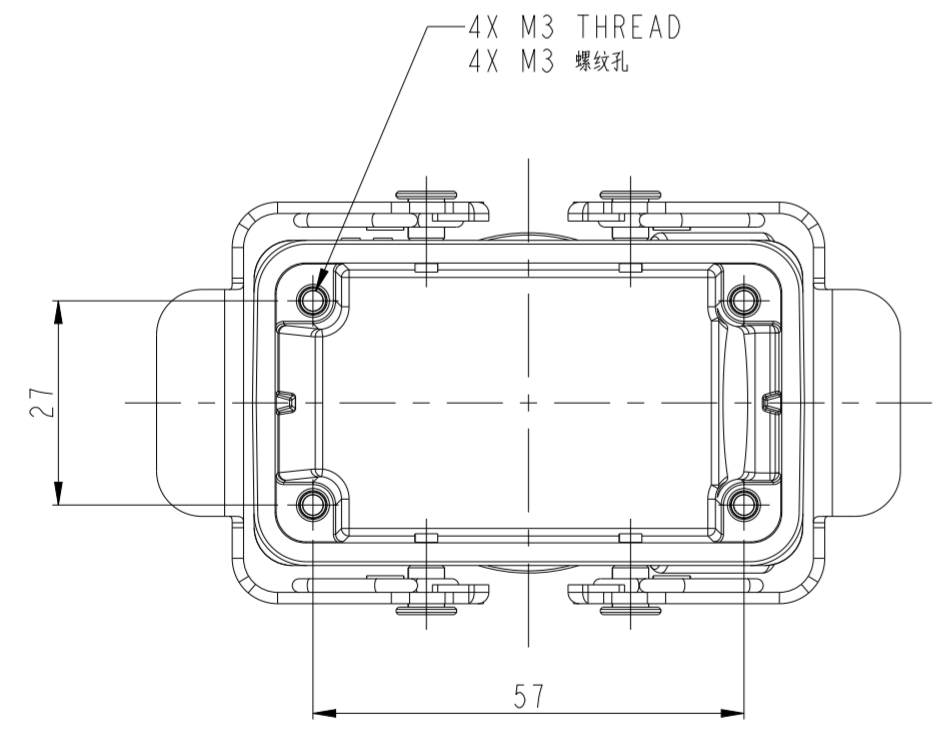
REVISIONS				
P	LTR	DESCRIPTION	DATE	APVD
-	-	SEE SHEET 1	-	-



NOTES:
SEE SHEET 1

SCALE 4:5
 TYPE 4: HIGH CONSTRUCTION, TOP ENTRY WITH STEEL DOUBLE LOCKING
 OTHER SPEC REFER TO TYPE 3
 类型4: 高结构, 顶出, 带彩锌双扣, 其它规格参照类型3

PART NUMBER	料号	PART DESCRIPTION	描述	PG/M THREAD 1	PG/M 螺纹孔1	PG/M THREAD 2	PG/M 螺纹孔2	TYPE	类型
T1280102132-000	H10B-TGBH-M32	H10B HOOD, TOP ENTRY M32, METAL DOUBLE LOCKING, HIGH CONSTRUCTION, POWDER COATED, GREY	H10B上壳, 顶出M32, 彩锌双扣, 高结构, 灰色粉末喷涂	-	-	M32	-	-	-
T1280102129-000	H10B-TGBH-PG29	H10B HOOD, TOP ENTRY PG29, METAL DOUBLE LOCKING, HIGH CONSTRUCTION, POWDER COATED, GREY	H10B上壳, 顶出PG29, 彩锌双扣, 高结构, 灰色粉末喷涂	-	-	PG29	-	-	TYPE 4 类型4
T1280102125-000	H10B-TGBH-M25	H10B HOOD, TOP ENTRY M25, METAL DOUBLE LOCKING, HIGH CONSTRUCTION, POWDER COATED, GREY	H10B上壳, 顶出M25, 彩锌双扣, 高结构, 灰色粉末喷涂	-	-	M25	-	-	-
T1280102121-000	H10B-TGBH-PG21	H10B HOOD, TOP ENTRY PG21, METAL DOUBLE LOCKING, HIGH CONSTRUCTION, POWDER COATED, GREY	H10B上壳, 顶出PG21, 彩锌双扣, 高结构, 灰色粉末喷涂	-	-	PG21	-	-	-
T1270102140-000	H10B-TSBH-M40	H10B HOOD, SIDE ENTRY M40, METAL DOUBLE LOCKING, HIGH CONSTRUCTION, POWDER COATED, GREY	H10B上壳, 侧出M40, 彩锌双扣, 高结构, 灰色粉末喷涂	M40	-	-	-	-	-
T1270102132-000	H10B-TSBH-M32	H10B HOOD, SIDE ENTRY M32, METAL DOUBLE LOCKING, HIGH CONSTRUCTION, POWDER COATED, GREY	H10B上壳, 侧出M32, 彩锌双扣, 高结构, 灰色粉末喷涂	M32	-	-	-	-	-
T1270102129-000	H10B-TSBH-PG29	H10B HOOD, SIDE ENTRY PG29, METAL DOUBLE LOCKING, HIGH CONSTRUCTION, POWDER COATED, GREY	H10B上壳, 侧出PG29, 彩锌双扣, 高结构, 灰色粉末喷涂	PG29	-	-	-	-	TYPE 3 类型3
T1270102125-000	H10B-TSBH-M25	H10B HOOD, SIDE ENTRY M25, METAL DOUBLE LOCKING, HIGH CONSTRUCTION, POWDER COATED, GREY	H10B上壳, 侧出M25, 彩锌双扣, 高结构, 灰色粉末喷涂	M25	-	-	-	-	-
T1270102121-000	H10B-TSBH-PG21	H10B HOOD, SIDE ENTRY PG21, METAL DOUBLE LOCKING, HIGH CONSTRUCTION, POWDER COATED, GREY	H10B上壳, 侧出PG21, 彩锌双扣, 高结构, 灰色粉末喷涂	PG21	-	-	-	-	-



TYPE 3: HIGH CONSTRUCTION, SIDE ENTRY WITH STEEL DOUBLE LOCKING
 类型3: 高结构, 侧出, 带彩锌双扣

SCALE 4:5

THIS DRAWING IS A CONTROLLED DOCUMENT. DWN DAVID.WANG 24JUN2015
 CHK CHRIS.WANG 24JUN2015
 APVD XIANG.XU 24JUN2015

STE TE Connectivity

NAME: H10B-TSB/TGB/TSBH/TGBH-M/PG

PRODUCT SPEC: 108-137013
 APPLICATION SPEC: 114-137013

MATERIAL: - FINISH: - WEIGHT: -

Customer Drawing SCALE 1:1 SHEET 2 OF 2 REV B1

单击下面可查看定价，库存，交付和生命周期等信息

[>>TE Connectivity\(泰科\)](#)