

4

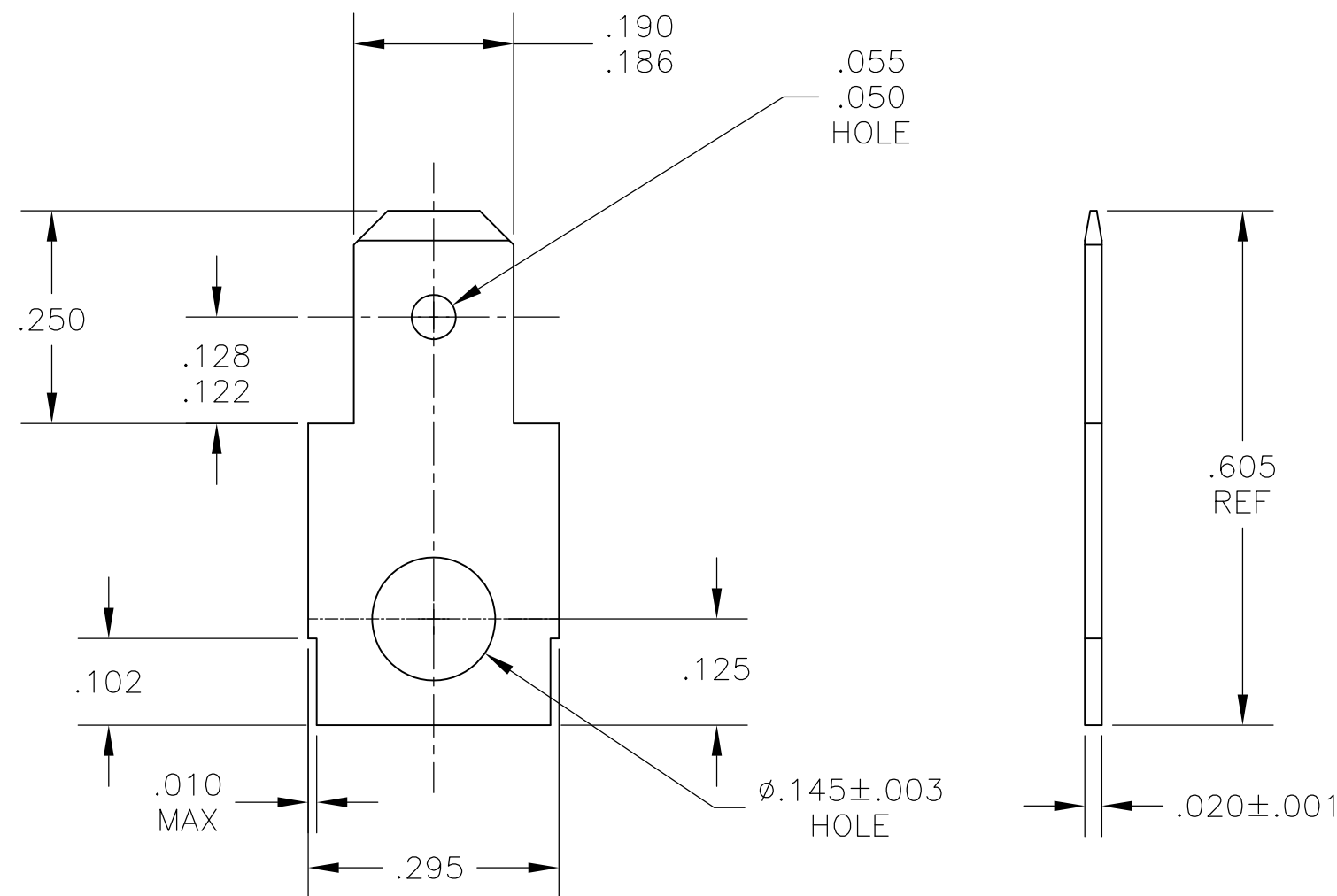
3

2

1

THIS DRAWING IS UNPUBLISHED. RELEASED FOR PUBLICATION  
 © COPYRIGHT - By - ALL RIGHTS RESERVED.

LOC		DIST		REVISIONS			
P	LTR	DESCRIPTION		DATE	DWN	APVD	
	C	REVISED PER ECR-13-011489		11DEC2013	KH	PD	



1 SUPPLIED IN LOOSE PIECE.

1742041-1  
PART NUMBER

THIS DRAWING IS A CONTROLLED DOCUMENT.		DWN jr_ruth	23DEC2003	<b>STE</b> TE Connectivity													
DIMENSIONS: INCHES		CHK KRISTY YI	23DEC03														
TOLERANCES UNLESS OTHERWISE SPECIFIED:		APVD KRISTY YI	23DEC03	NAME TAB, FASTON, .187 SERIES													
<table border="0"> <tr><td>0 PLC</td><td>± -</td></tr> <tr><td>1 PLC</td><td>± -</td></tr> <tr><td>2 PLC</td><td>± -</td></tr> <tr><td>3 PLC</td><td>± .005</td></tr> <tr><td>4 PLC</td><td>± -</td></tr> <tr><td>ANGLES</td><td>± -</td></tr> </table>		0 PLC	± -	1 PLC	± -	2 PLC	± -	3 PLC	± .005	4 PLC	± -	ANGLES	± -	PRODUCT SPEC -		APPLICATION SPEC -	
0 PLC	± -																
1 PLC	± -																
2 PLC	± -																
3 PLC	± .005																
4 PLC	± -																
ANGLES	± -																
MATERIAL BRASS		FINISH TIN		WEIGHT -	RESTRICTED TO -												
CUSTOMER DRAWING				SIZE A3	CAGE CODE 00779												
SCALE 5:1				DRAWING NO C-1742041	SHEET 1 OF 1												
				REV C													

单击下面可查看定价，库存，交付和生命周期等信息

[>>TE Connectivity\(泰科\)](#)