

4

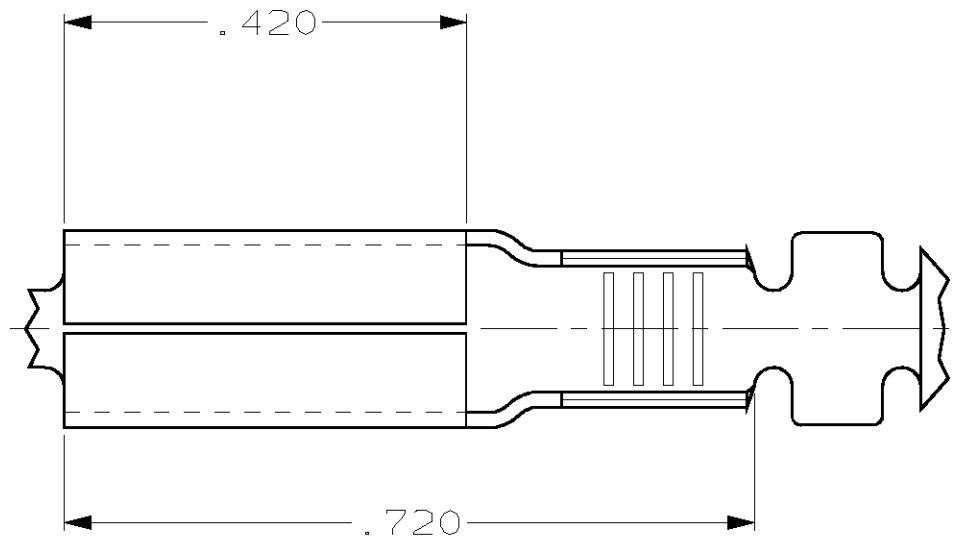
3

2

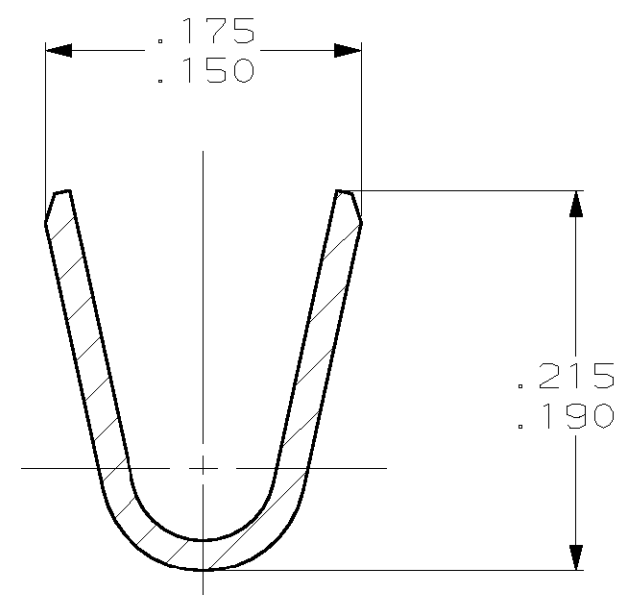
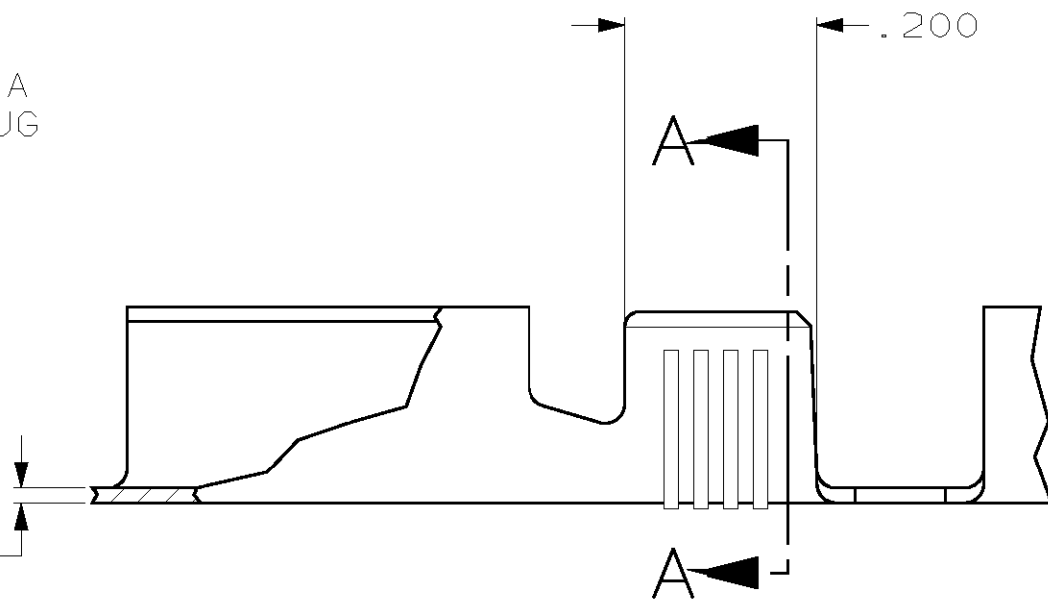
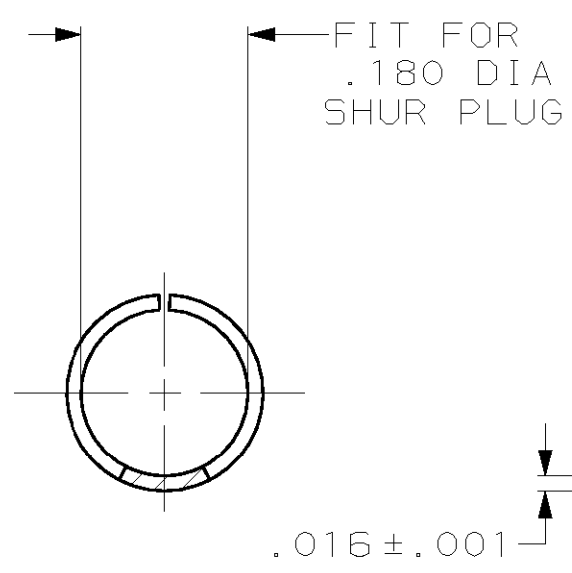
1

THIS DRAWING IS UNPUBLISHED. RELEASED FOR PUBLICATION ,19 .
 © COPYRIGHT 19 BY AMP INCORPORATED. ALL RIGHTS RESERVED.

LOC	DIST	REVISIONS					
		P	LTR	DESCRIPTION	DATE	DWN	APVD
AF	50		B	REDRAWN PER 0G3A-XXXX-01	12JUL01	MF	DD



1 CONTINUOUS STRIP ON REELS.
 2 .000080 MIN TIN PLATE.



SECTION A-A
SCALE 10:1

-	-	-
2	14-10 AWG	42891-2
-	14-10 AWG	42891-1
FINISH	WIRE RANGE	PART NUMBER

THIS DRAWING IS A CONTROLLED DOCUMENT.

DIMENSIONS: INCHES	TOLERANCES UNLESS OTHERWISE SPECIFIED:
	0 PLC ±-
	1 PLC ±-
	2 PLC ±-
	3 PLC ±.010
	4 PLC ±-
	ANGLES ±-
MATERIAL 4M BRASS	FINISH SEE TABLE

DWN	12JUL2001	MICHAEL S. FEHER
CHK	12JUL2001	DONALD DECKER
APVD	12JUL2001	DONALD DECKER
PRODUCT SPEC	-	
APPLICATION SPEC	114-2017	
WEIGHT	-	
CUSTOMER DRAWING		

AMP AMP Incorporated Harrisburg, PA 17105-3608		
NAME RECEPTACLE, SHUR PLUG, .180 DIA		
SIZE	CAGE CODE	DRAWING NO
A3	00779	C- 42891
RESTRICTED TO		-
SCALE	SHEET	REV
5:1	1 OF 1	B

单击下面可查看定价，库存，交付和生命周期等信息

[>>TE Connectivity\(泰科\)](#)