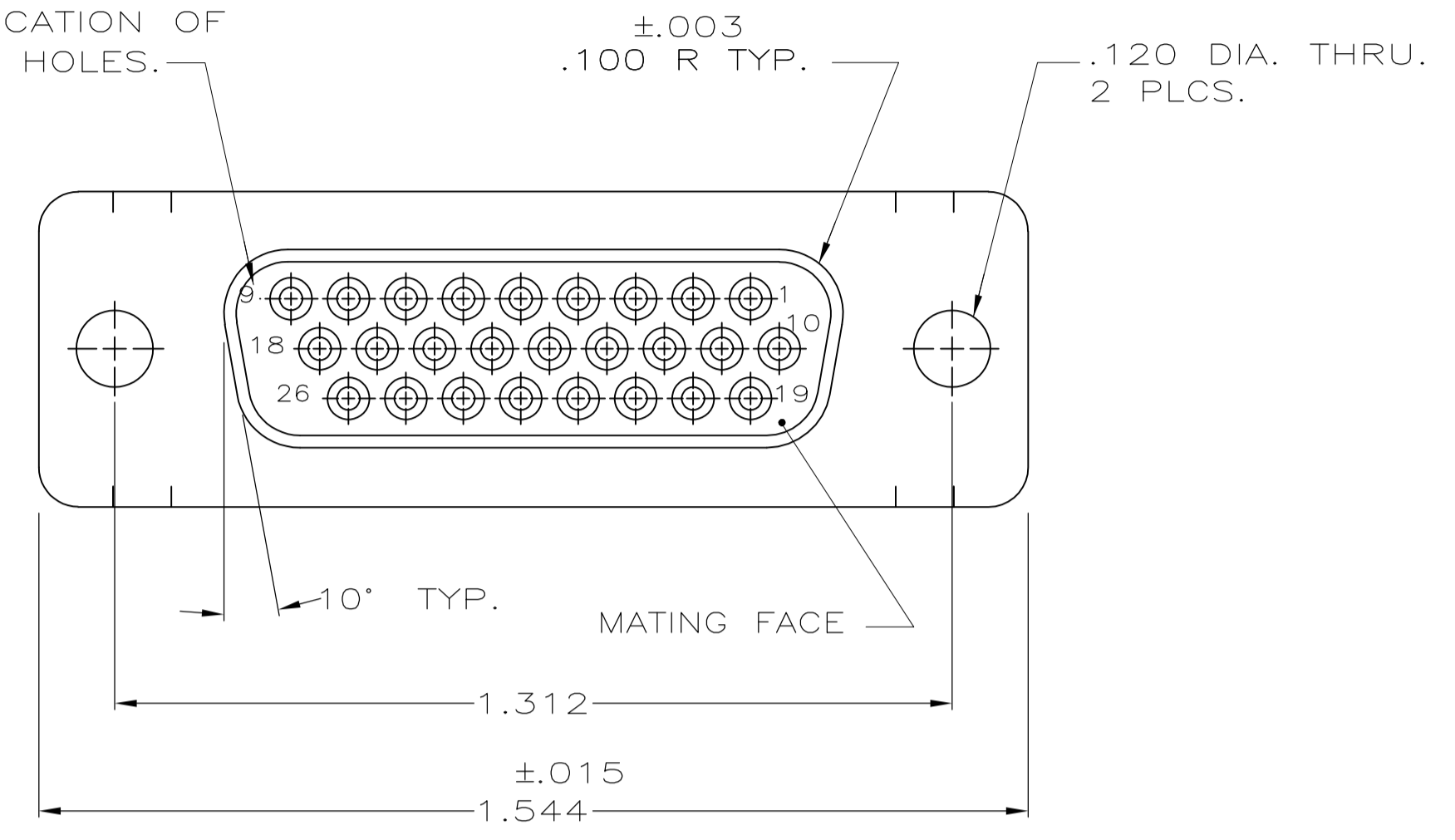
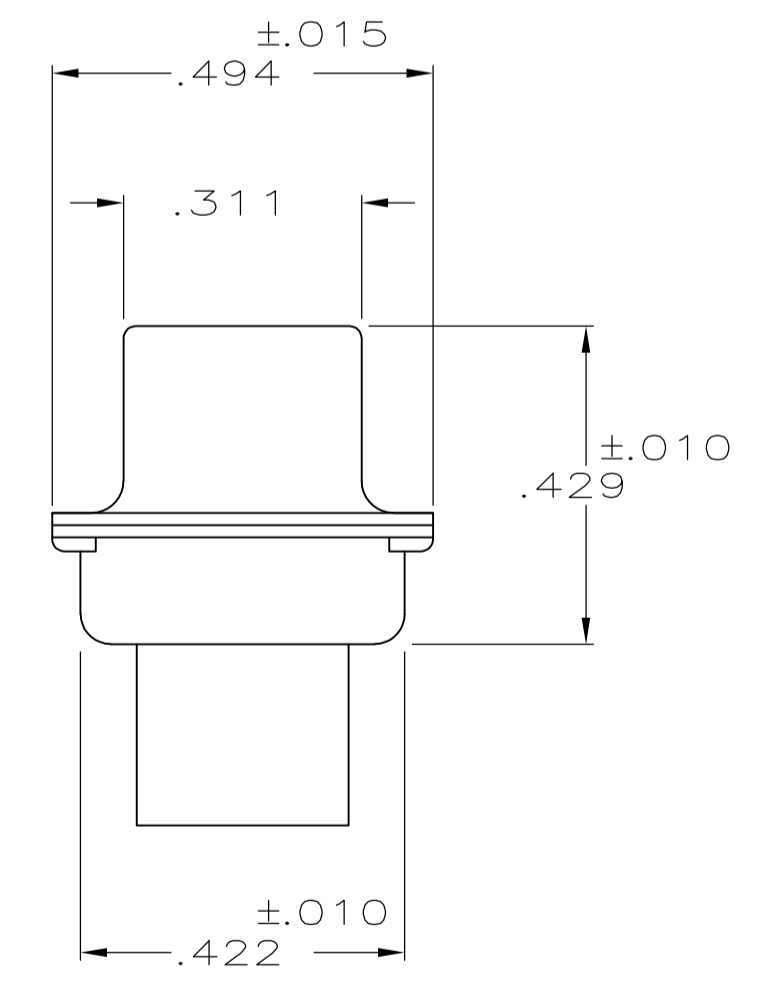
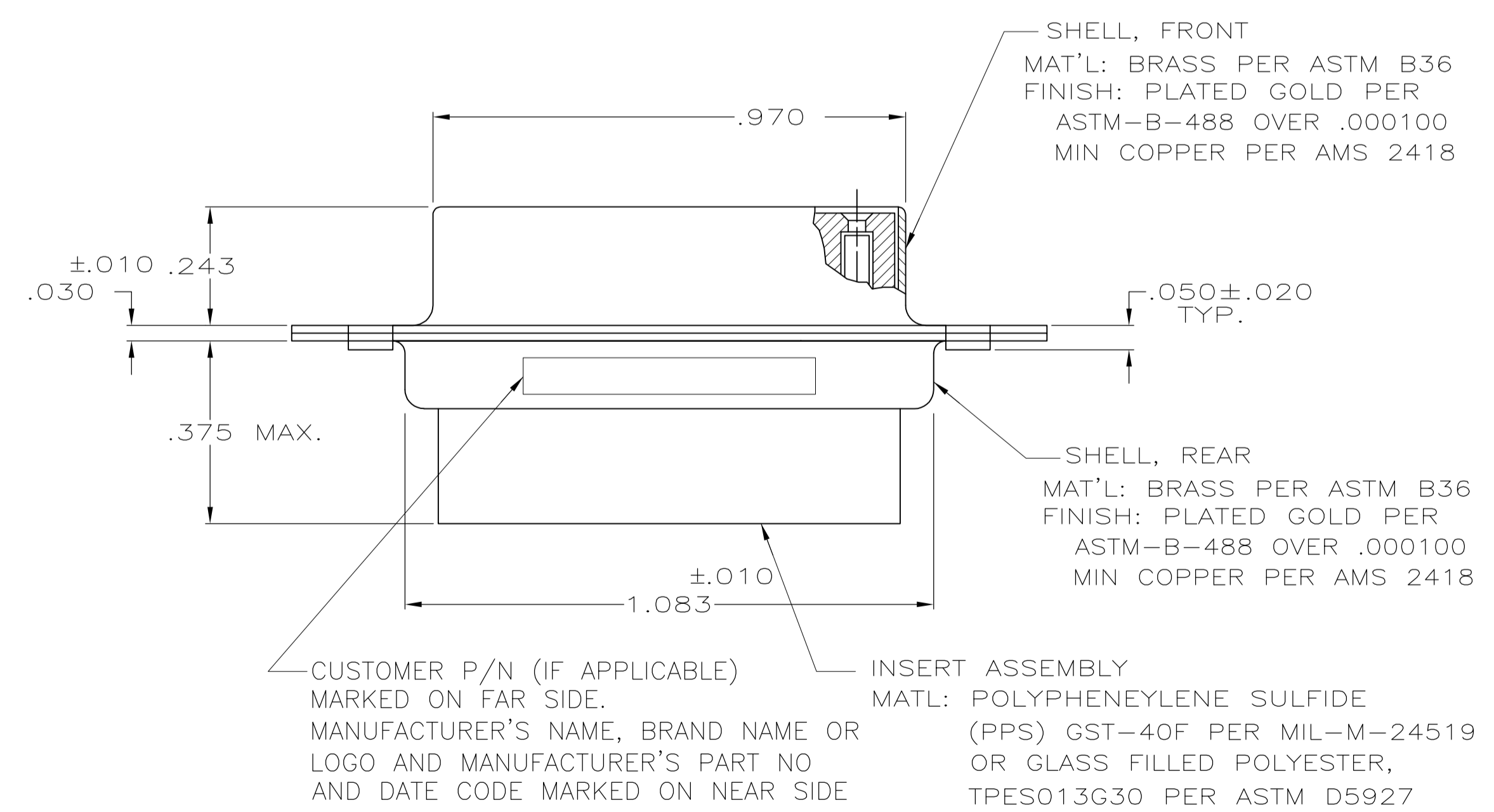


LOC		DIST		REVISIONS			
P	LTR	DESCRIPTION	DATE	DWN	APVD		
G		REV PER ECO 15-001580	3-9-15	CT	CD		

RAISED NUMBERS FOR IDENTIFICATION OF CIRCUIT HOLES.



1. THIS RECEPTACLE WILL MATE WITH ANY SIZE 2,26 POSN. PLUG IN AMPLIMITE SERIES.
2. CONNECTOR SUPPLIED WITHOUT CONTACTS; SHOWN FOR ILLUSTRATION ONLY.
3. BE-CU RETENTION CLIPS ARE INCLUDED IN INSERTS AND INSTALLED WITH TINES POINTING TOWARDS MATING FACE.
4. OVERALL DIMENSIONS DO NOT INCLUDE RAISED CAVITY IDENTIFICATION.
5. MARKING FAR SIDE REFERS TO WIDE SIDE OF KEYSTONE. NEAR SIDE REFERS TO NARROW SIDE OF KEYSTONE.
6. 100% INSPECTION REQUIRED PER BOEING 1B01:
  - A. VISUAL
  - B. DWV
  - C. IR
7. CUSTOMER REQUIRES SINGLE LOT DATE CODE.



REMARKS	1B01-002RHW	1-211644-1
	1B01-002	211644-1
REMARKS	CUSTOMER PART NUMBER	PART NO.

THIS DRAWING IS A CONTROLLED DOCUMENT.

DIMENSIONS: INCHES	TOLERANCES UNLESS OTHERWISE SPECIFIED:	DIN 3-8-84	DRW D. ERDMAN
	0 PLC ± -	4-26-84	CHK B. YOHN
	1 PLC ± -	7-5-84	APVD G. SACUNAS
	2 PLC ± -		NAME
	3 PLC ± .005		PRODUCT SPEC
	4 PLC ± -		APPLICATION SPEC
	ANGLES ± -		SIZE
MATERIAL SEE CALLOUT	FINISH SEE CALLOUT	WEIGHT	SCALE
		A1 00779	4:1
		211644	SHEET 1 OF 1
			REV G

STE TE Connectivity

RECEPTACLE ASS'Y, AMPLIMITE, 26 POSN., SIZE 2, SERIES 90, NON-MAGNETIC

CUSTOMER DRAWING

单击下面可查看定价，库存，交付和生命周期等信息

[>>TE Connectivity\(泰科\)](#)