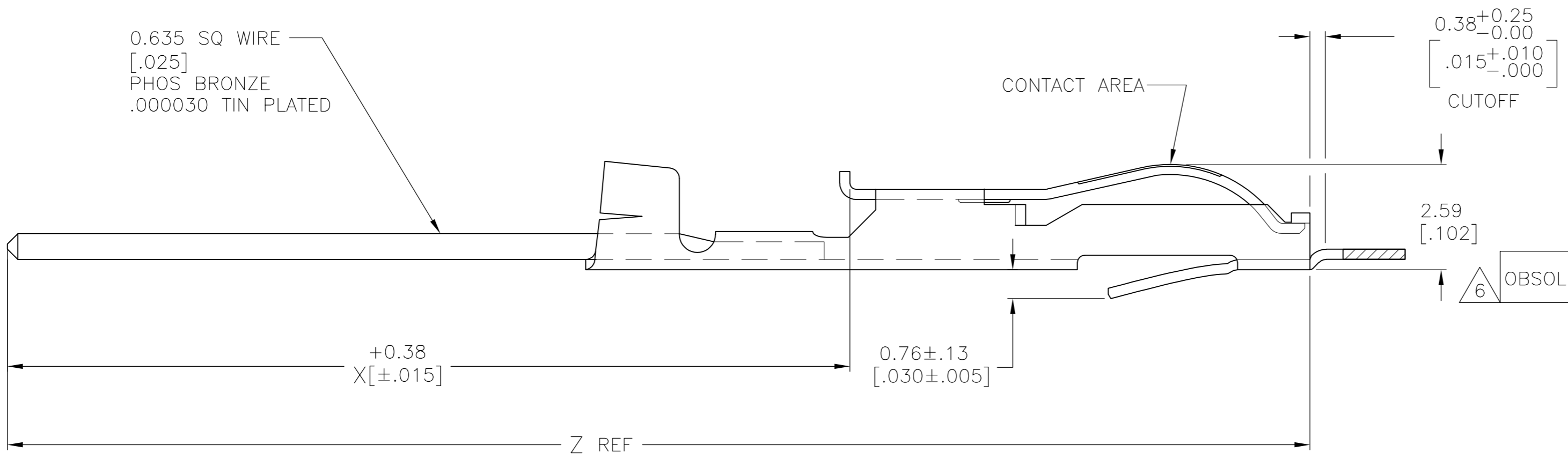
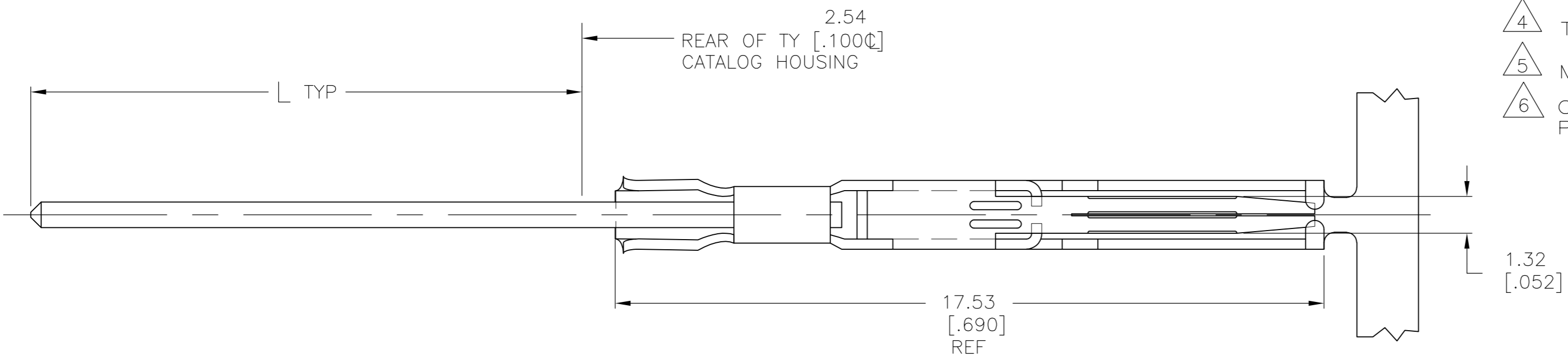


THIS DRAWING IS UNPUBLISHED. RELEASED FOR PUBLICATION
 © COPYRIGHT BY TYCO ELECTRONICS CORPORATION. ALL RIGHTS RESERVED.

| LOC | DIST | REVISIONS | | | | | |
|-----|------|-----------|-----|---------------------------|---------|-----|------|
| AD | 00 | P | LTR | DESCRIPTION | DATE | DWN | APVD |
| | | M1 | | REVISED PER ECO-09-024927 | 06NOV09 | KK | AEG |

- 1 .000015 GOLD OVER .000030 NICKEL IN CONTACT AREA, REMAINDER OF CONTACT IS NICKEL PLATED.
- 2 .000050 GOLD OVER .000030 NICKEL IN CONTACT AREA, REMAINDER OF CONTACT IS NICKEL PLATED.
- 3 OBSOLETE
- 4 TIN-LEAD PLATED
- 5 MATTE TIN PLATED
- 6 OBSOLETE PARTS: OBSOLETE CIS STREAMLINING PER D.RENAUD/D.SINISI



| | | | | |
|------------|-----------------|-----------------|------------------|--------------|
| 1 | 17.78 [.700] | 24.87 [.969] | 36.17 [1.424] | 5-583879-9 |
| 1 | 9.02 [.355] | 16.13 [.635] | 27.43 [1.080] | 5-583879-8 |
| 1 | 13.59 [.535] | 20.32 [.800] | 31.62 [1.245] | 5-583879-6 |
| 1 | 13.59 [.535] | 20.32 [.800] | 31.62 [1.245] | 5-583879-4 |
| 1 | 4.32 [.170] | 11.46 [.451] | 22.76 [.896] | 5-583879-2 |
| 6 OBSOLETE | 4.32 [.170] | 11.46 [.451] | 22.76 [.896] | 5-583879-1 |
| 1 | 17.78 [.700] | 24.87 [.979] | 36.17 [1.424] | 583879-9 |
| 1 | 9.02 [.355] | 16.13 [.635] | 27.43 [1.080] | 583879-8 |
| 1 | 13.59 [.535] | 20.32 [.800] | 31.62 [1.245] | 3 4 583879-7 |
| 1 | 13.59 [.535] | 20.32 [.800] | 31.62 [1.245] | 4 583879-6 |
| 1 | 13.59 [.535] | 20.32 [.800] | 31.62 [1.245] | 4 583879-4 |
| 1 | 4.32 [.170] | 11.46 [.451] | 22.76 [.896] | 4 583879-2 |
| 1 | 4.32 [.170] | 11.46 [.451] | 22.76 [.896] | 4 583879-1 |
| FINISH | L | X | Z | PART NUMBER |

THIS DRAWING IS A CONTROLLED DOCUMENT.

DWN: A. STAUB BG 02AUG93
 CHK: H ROSE 07MAR94
 APVD: H ROSE 07MAR94

TOLERANCES UNLESS OTHERWISE SPECIFIED:
 0 PLC ± -
 1 PLC ± -
 2 PLC ± -
 3 PLC ± -
 4 PLC ± -
 ANGLES ± -

MATERIAL: PHOS BRONZE
 FINISH: SEE TABLE

NAME: CONTACT, CRIMP TWIN LEAF, WITH .025 SQ POST

SIZE: A2
 CAGE CODE: 00779
 DRAWING NO: C=583879
 RESTRICTED TO: -

CUSTOMER DRAWING
 SCALE: 10:1
 SHEET: 1 OF 1
 REV: M1

单击下面可查看定价，库存，交付和生命周期等信息

[>>TE Connectivity\(泰科\)](#)