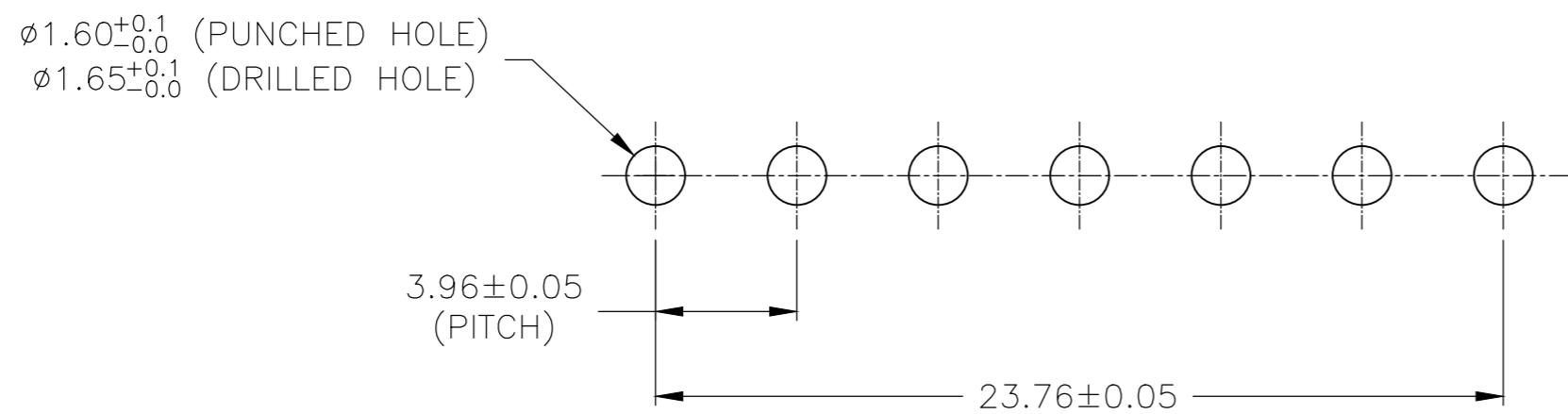
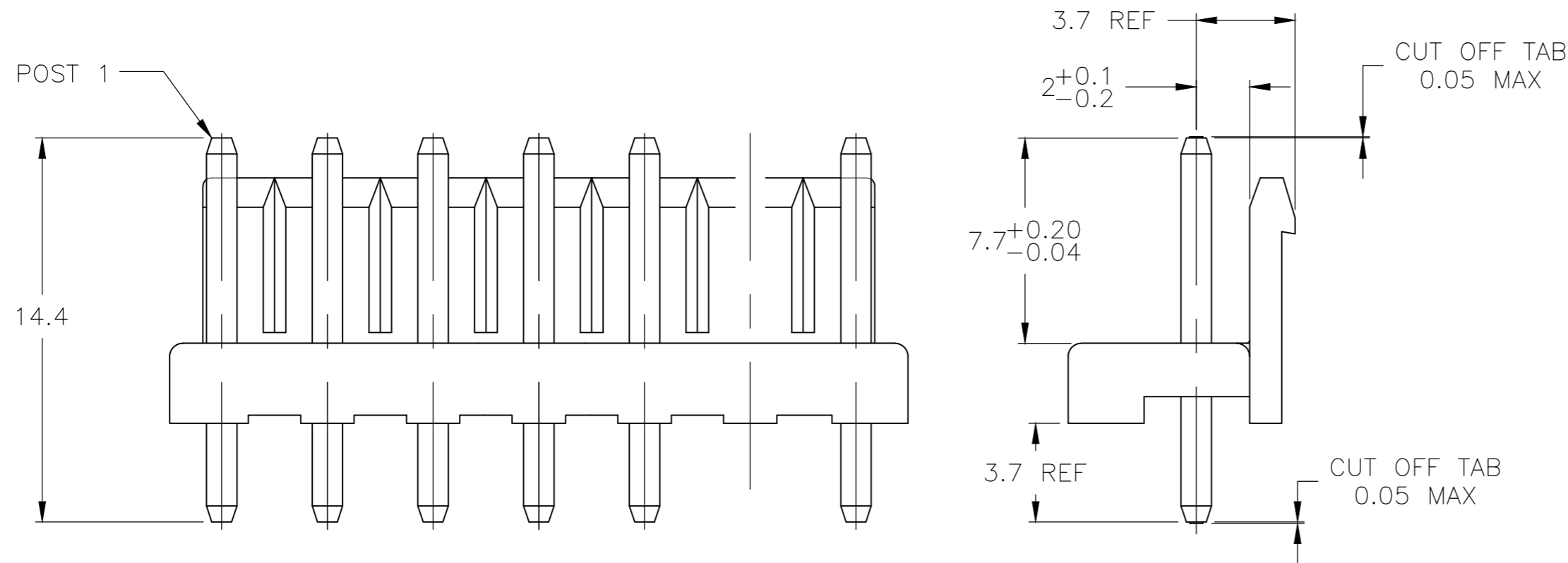
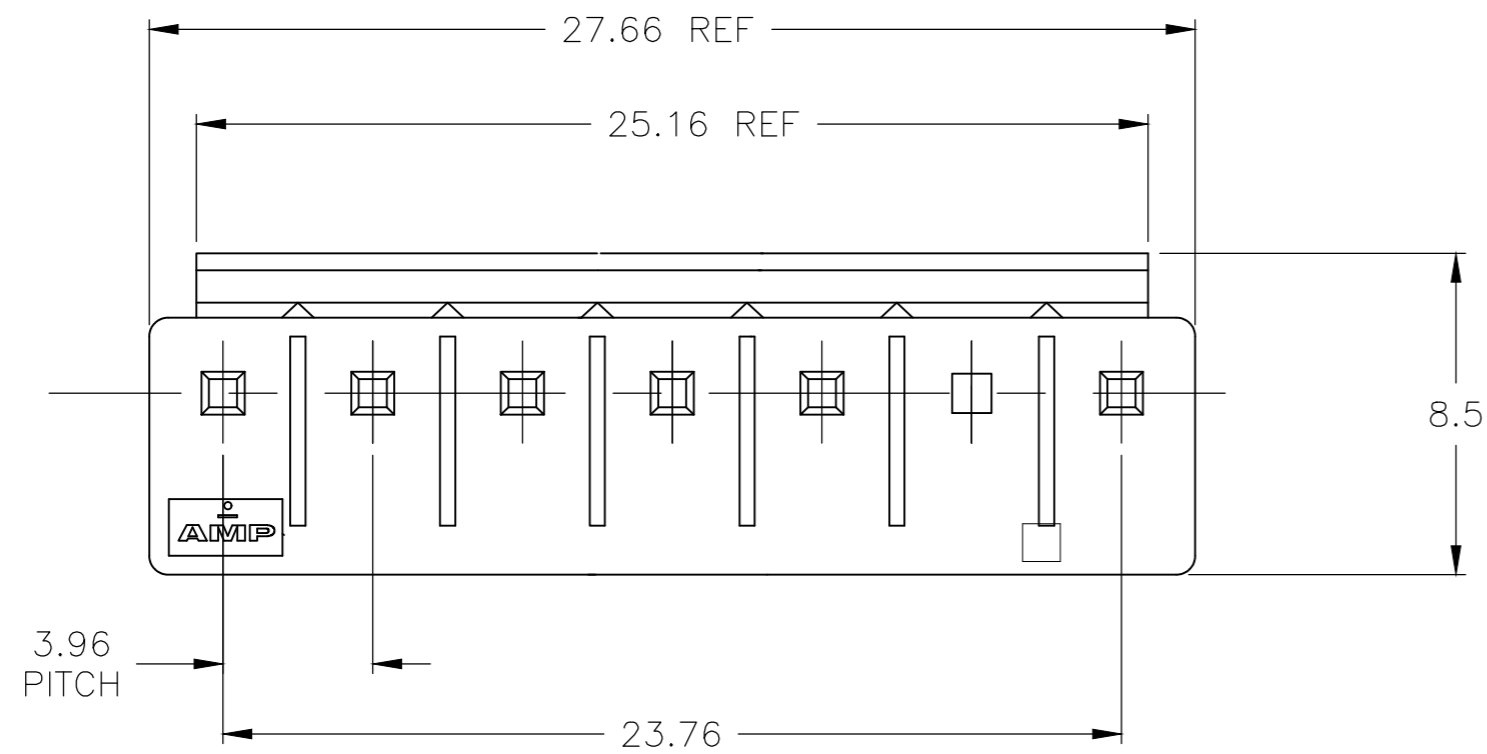


THIS DRAWING IS UNPUBLISHED. RELEASED FOR PUBLICATION
 © COPYRIGHT - TE Connectivity Ltd. ALL RIGHTS RESERVED.

REVISIONS					
P	LTR	DESCRIPTION	DATE	DWN	APVD
D1		REVISED PER ECR-20-000784	14FEB2020	WH	DZ



PCB LAYOUT THICKNESS: 1.60

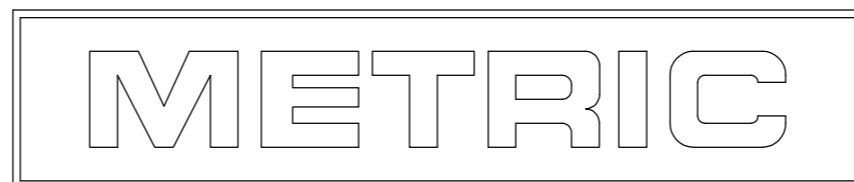
1 MATERIAL: HOUSING- PBT, NATURAL
 POST- BRASS, 1MICROMETER MIN TIN OVER
 0.8 MICROMETER MIN NICKEL.

2. RECOMMENDED MATING PART: *-1123722-*

3 0 : WITH PIN,
 X : WITHOUT PIN.

1744107-1 SHOWN

	0	0	0	0	0	0	0	NATURAL	7	1-1744107-7
	0	X	0	X	0	X	0	BLACK	7	5-1744107-5
	0	X	0	X	0	X	0	RED	7	4-1744107-5
	0	X	0	X	0	X	0	NATURAL	7	1-1744107-5
	0	0	0	0	X	0	0	NATURAL	7	1744107-4
OBSOLETE	0	X	0	0	0	0	0	NATURAL	7	1744107-3
	0	0	X	0	0	0	0	NATURAL	7	1744107-2
OBSOLETE	0	0	0	0	0	X	0	NATURAL	7	1744107-1
	1	2	3	4	5	6	7	COLOR	NO. OF POSITIONS	ASSEMBLY PART NO.



THIS DRAWING IS A CONTROLLED DOCUMENT.

DWN K. WHITAKER 04JUN04		TE Connectivity	
CHK D. BOSSI 04JUN04		NAME	
APVD D. BOSSI 04JUN04		108-5609	
PRODUCT SPEC		APPLICATION SPEC	
MATERIAL	FINISH	WEIGHT	SIZE A2
			CAGE CODE 00779
			DRAWING NO 1744107
			RESTRICTED TO
			SCALE N/A
			SHEET 1 OF 1
			REV D1

CUSTOMER DRAWING

1744107

A

单击下面可查看定价，库存，交付和生命周期等信息

[>>TE Connectivity\(泰科\)](#)