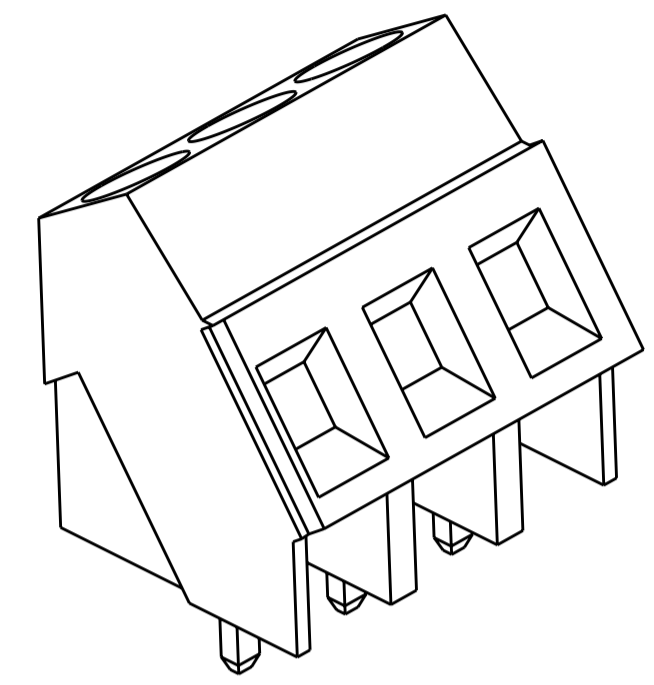
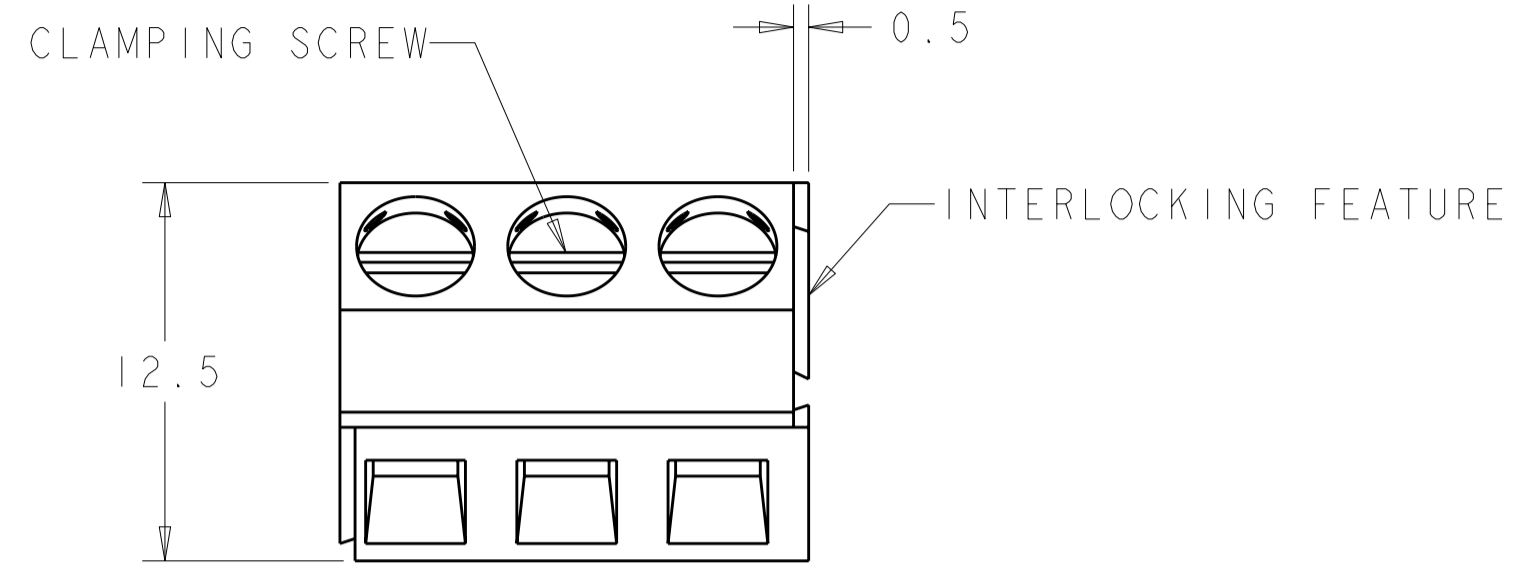
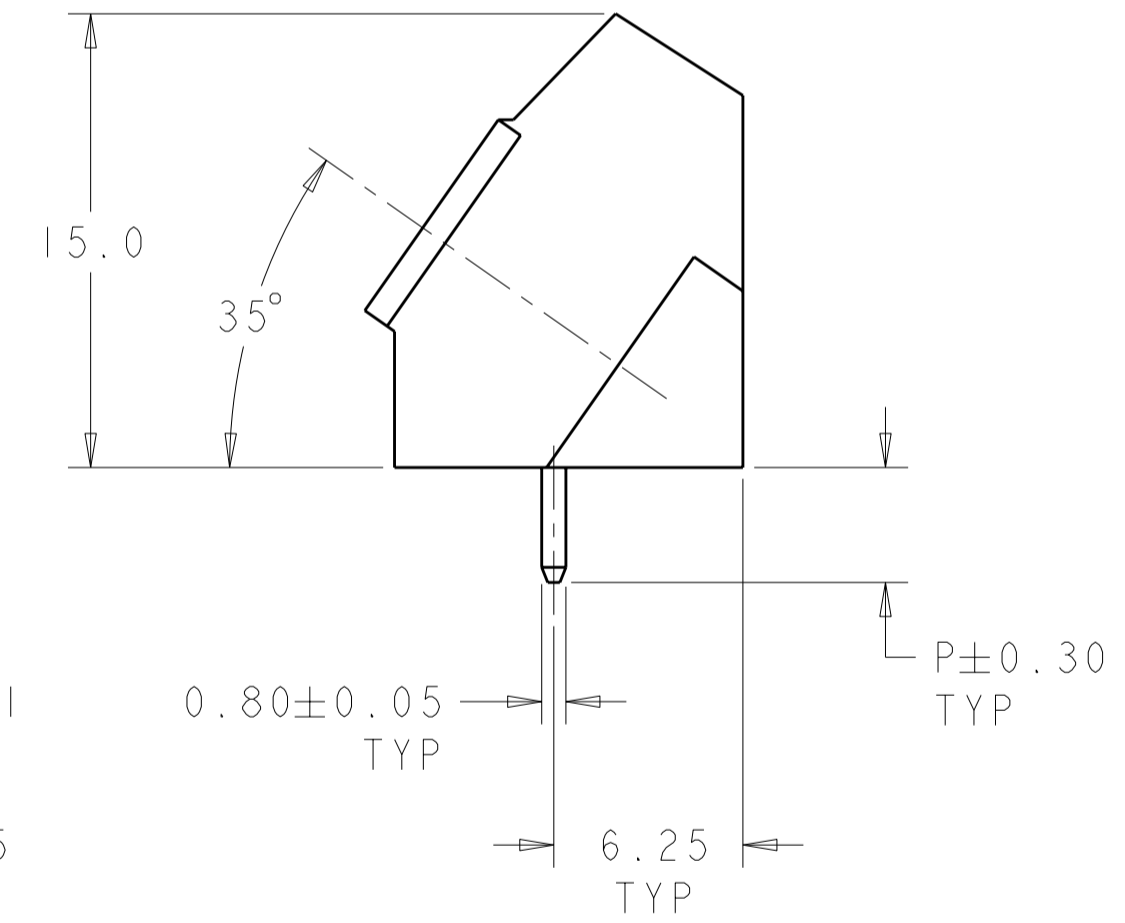
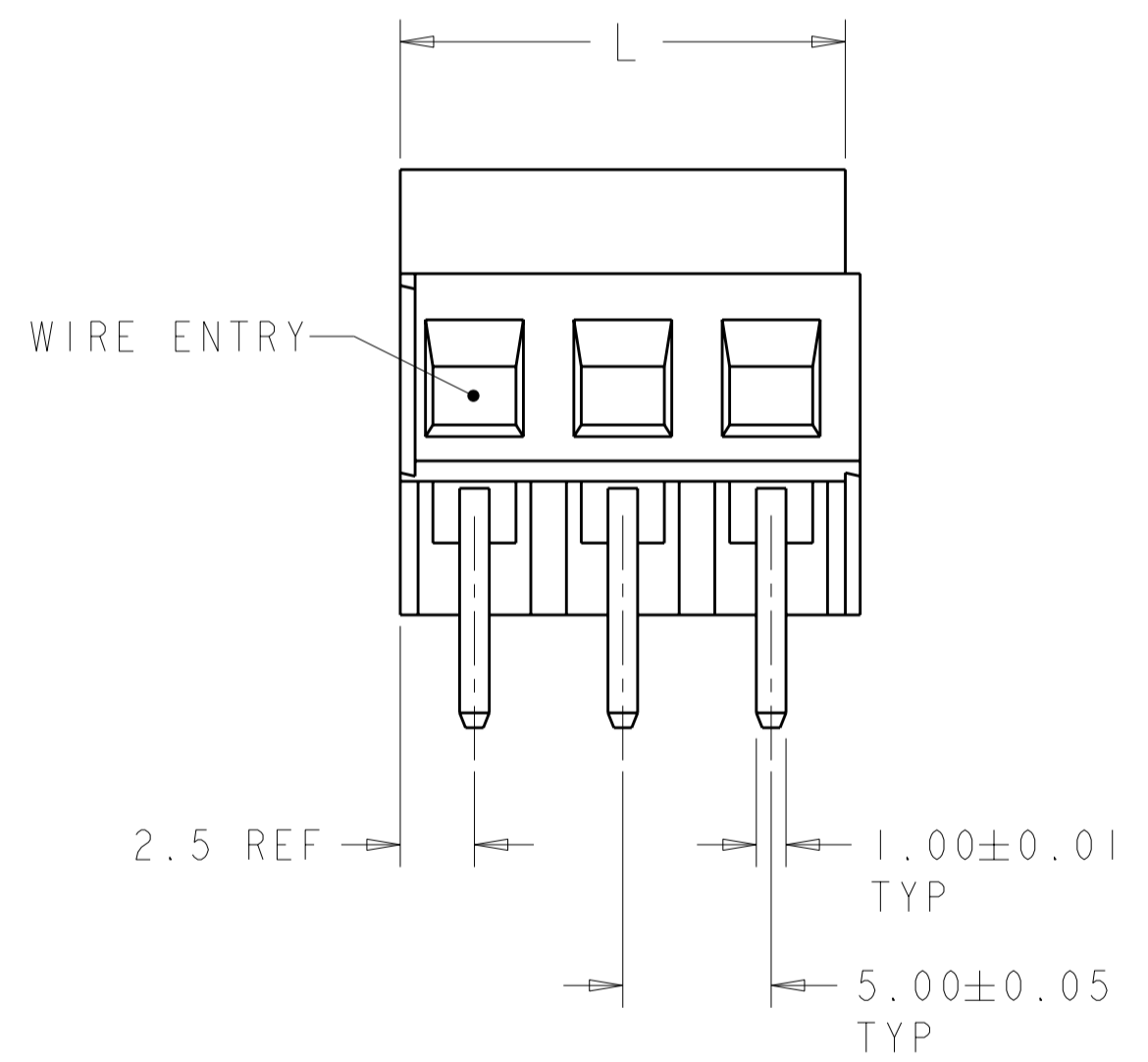


THIS DRAWING IS UNPUBLISHED. RELEASED FOR PUBLICATION 20
 © COPYRIGHT 20 BY - ALL RIGHTS RESERVED.

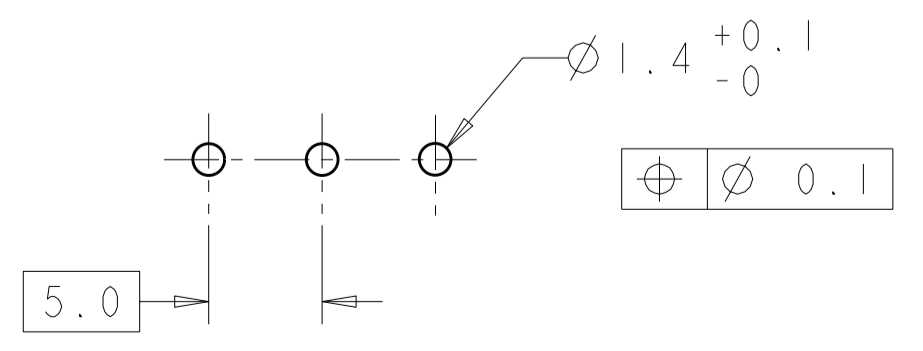
LOC		DIST		REVISIONS			
P	LTR	DESCRIPTION	DATE	DWN	APVD		
E3		REVISED PER ECO-11-008211	21APR2011	HMR	CR		



796690-3 AS SHOWN



WIRE COLOR	WIRE GAUGE	WIRE LENGTH	WIRE DIA	WIRE DIA	WIRE DIA	WIRE DIA
BLACK	SEE DETAIL J	3.8	10	2	5-796690-6	
BLACK	SEE DETAIL H	3.8	10	2	5-796690-5	
BLACK	SEE DETAIL G	3.8	10	2	5-796690-4	
-	-	6.0	15	3	5-796690-3	
-	-		10	2	5-796690-2	
9	SEE DETAIL B	3.8	10	2	4-796690-2	
8	SEE DETAIL F		40	8	3-796690-8	
9	SEE DETAIL C		15	3	3-796690-3	
-	-		100	20	2-796690-0	
9	SEE DETAIL C		15	3	1-796690-9	
9	SEE DETAIL B		10	2	1-796690-8	
-	-	6.0	15	3	1-796690-7	
-	-		10	2	1-796690-6	
8	SEE DETAIL E	3.8	25	5	1-796690-5	
8	SEE DETAIL D		20	4	1-796690-4	
8	SEE DETAIL A		10	2	1-796690-3	
-	-		60	12	1-796690-2	
-	-		55	11	1-796690-1	
-	-		50	10	1-796690-0	
-	-		45	9	796690-9	
-	-		40	8	796690-8	
-	-		35	7	796690-7	
-	-		30	6	796690-6	
-	-	25	5	796690-5		
-	-	20	4	796690-4		
-	-	15	3	796690-3		
-	-	10	2	796690-2		



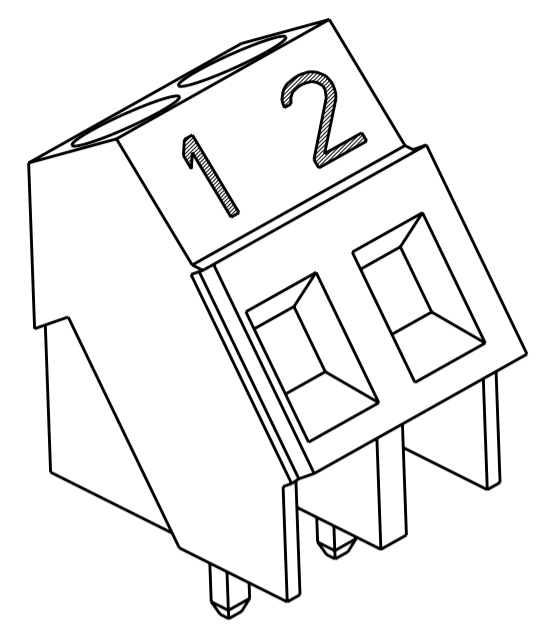
RECOMMENDED PC BOARD LAYOUT

THIS DRAWING IS A CONTROLLED DOCUMENT.

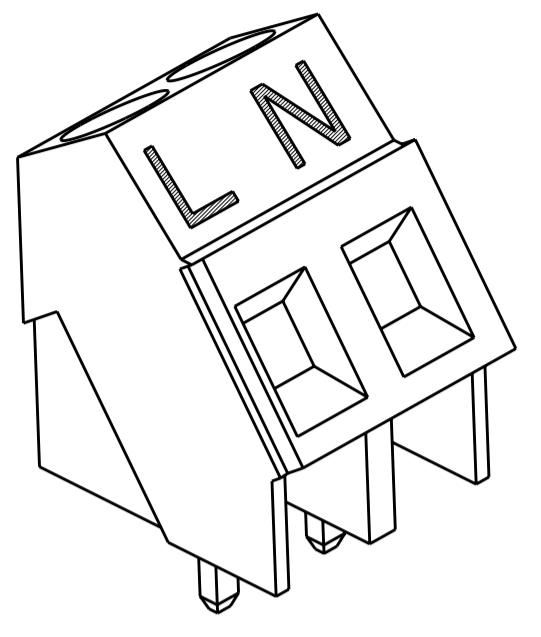
DIMENSIONS: mm	TOLERANCES UNLESS OTHERWISE SPECIFIED:	DWN E. ZANOLINI 14MAR2001	 TE Connectivity
		CHK D. BIEVENOUR 14MAR2001	
		APVD D. BIEVENOUR 14MAR2001	
		PRODUCT SPEC 108-20166	
MATERIAL	FINISH	APPLICATION SPEC 114-20079	NAME
		WEIGHT	TERMINAL BLOCK, PCB MOUNT
		CUSTOMER DRAWING	ANGLED WIRE ENTRY, STACKING
			W/INTERLOCK, 5mm PITCH
			SIZE
			CAGE CODE
			DRAWING NO
			RESTRICTED TO
			A200779
			C-796690
			SCALE 3:1
			SHEET 1 OF 2
			REV E3

THIS DRAWING IS UNPUBLISHED. RELEASED FOR PUBLICATION 20
 © COPYRIGHT 20 BY - ALL RIGHTS RESERVED.

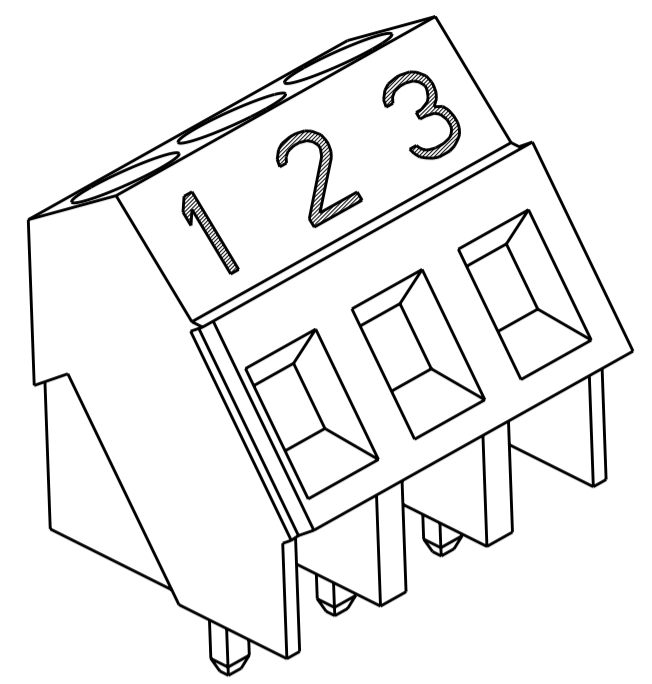
LOC	DIST	REVISIONS			
P	LTR	DESCRIPTION	DATE	DWN	APVD
FT	0	-	SEE SHEET 1	-	-



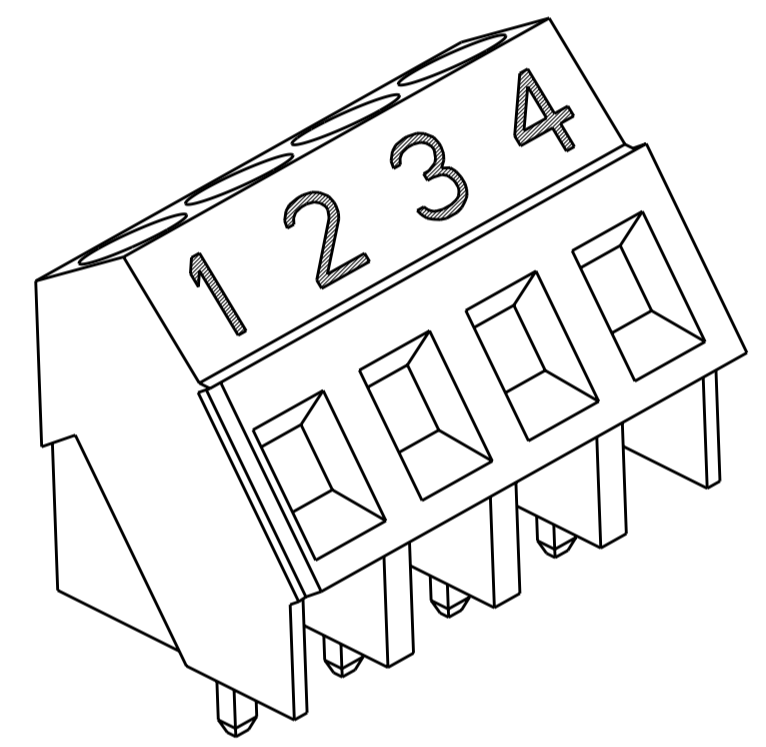
DETAIL A



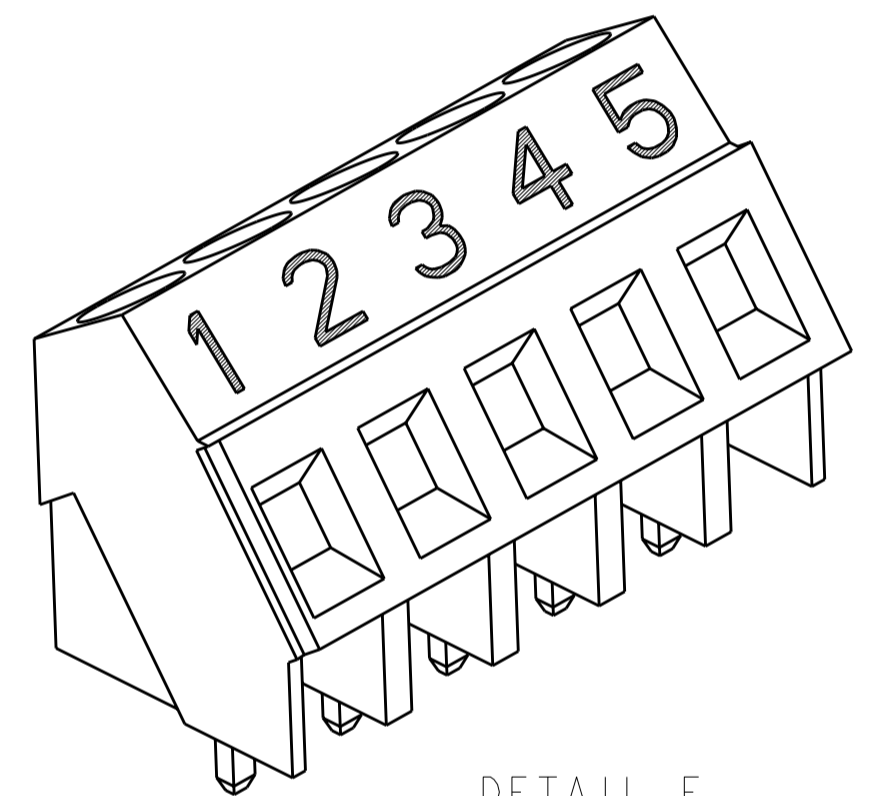
DETAIL B



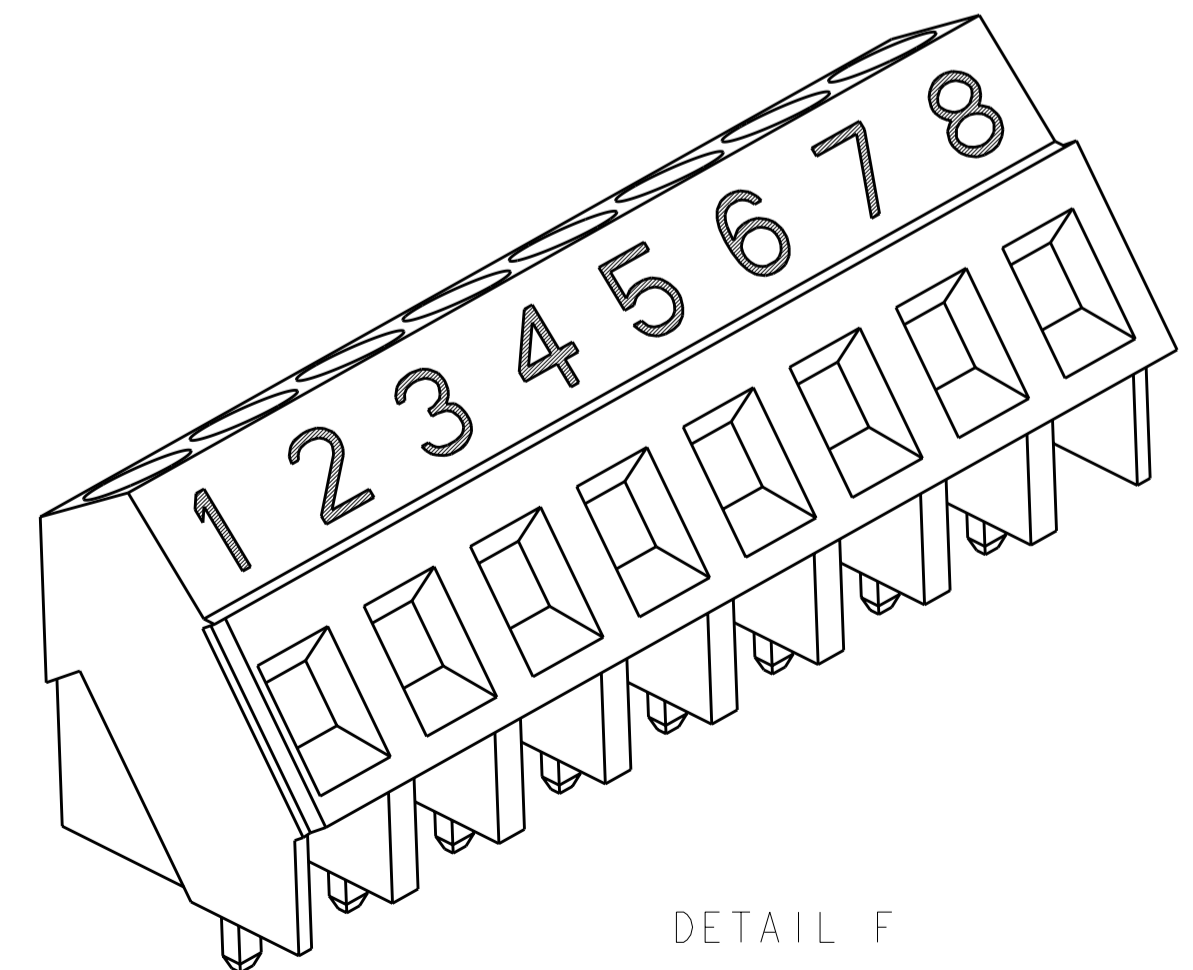
DETAIL C



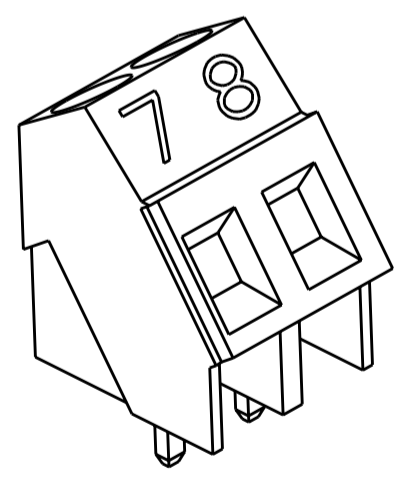
DETAIL D



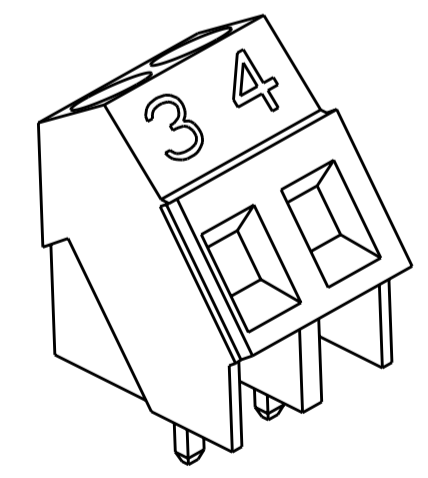
DETAIL E



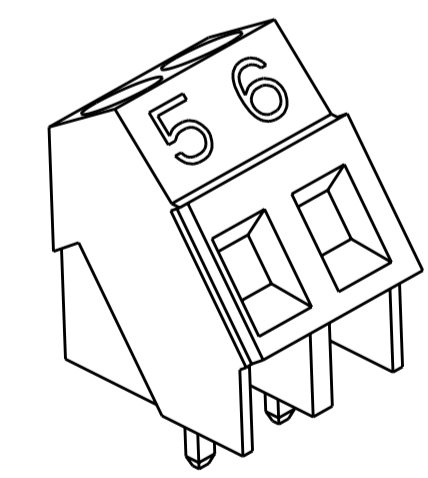
DETAIL F



DETAIL G



DETAIL H



DETAIL J

- 1. MATERIALS AND FINISH:
 HOUSING: PA 6-6, UL 94-V0, COLOR GREEN.
 CLAMP: BRASS, NICKEL PLATED.
 TERMINAL: BRASS, TIN PLATED.
 CLAMPING SCREW: M3, BRASS, NICKEL PLATED.
- 2. SUITABLE FOR 1,6-2,4mm PCB THICKNESS.
- 3. END-TO-END STACKABLE W/INTERLOCK, WITHOUT LOSS OF CENTERLINE SPACING.
- 4. WIRE RANGE: 12-30 AWG.
- 5. RECOGNIZED UNDER THE COMPONENT PROGRAM OF UNDERWRITERS LABORATORIES INC. FILE N° E60677.
- 6. IMQ CERTIFICATE WITH SURVEILLANCE IN CONFORMITY WITH IEC 998-1/998-2-1.
- 7. NOT CUMULATIVE TOLERANCE.
- 8. INK MARKED WHITE, UNLESS OTHERWISE SPECIFIED. NUMERICAL SEQUENCE FROM LEFT TO RIGHT.
- 9. INK MARKED BLACK, UNLESS OTHERWISE SPECIFIED. NUMERICAL SEQUENCE FROM LEFT TO RIGHT.
- 10. BUCHANAN LOGO TO APPEAR ON HOUSING, LOCATION OPTIONAL, WHERE SPACE PERMITS.

THIS DRAWING IS A CONTROLLED DOCUMENT.		DWN E. ZANOLINI	14MAR2001	STE TE Connectivity
DIMENSIONS: mm		CHK D. BIEVENOUR	14MAR2001	
TOLERANCES UNLESS OTHERWISE SPECIFIED:		APVD D. BIEVENOUR	14MAR2001	
0 PLC ±3 1 PLC ±.3 2 PLC ±.25 3 PLC ±. 4 PLC ±. ANGLES ±2 FINISH		PRODUCT SPEC 108-20166	APPLICATION SPEC 114-20079	
MATERIAL		WEIGHT	-	NAME TERMINAL BLOCK, PCB MOUNT ANGLED WIRE ENTRY, STACKING W/INTERLOCK, 5mm PITCH
		CUSTOMER DRAWING		SIZE A2
		SCALE 3:1		CAGE CODE 200779
		SHEET 2 OF 2		DRAWING NO G-796690
		REV E3		RESTRICTED TO -

单击下面可查看定价，库存，交付和生命周期等信息

[>>TE Connectivity\(泰科\)](#)