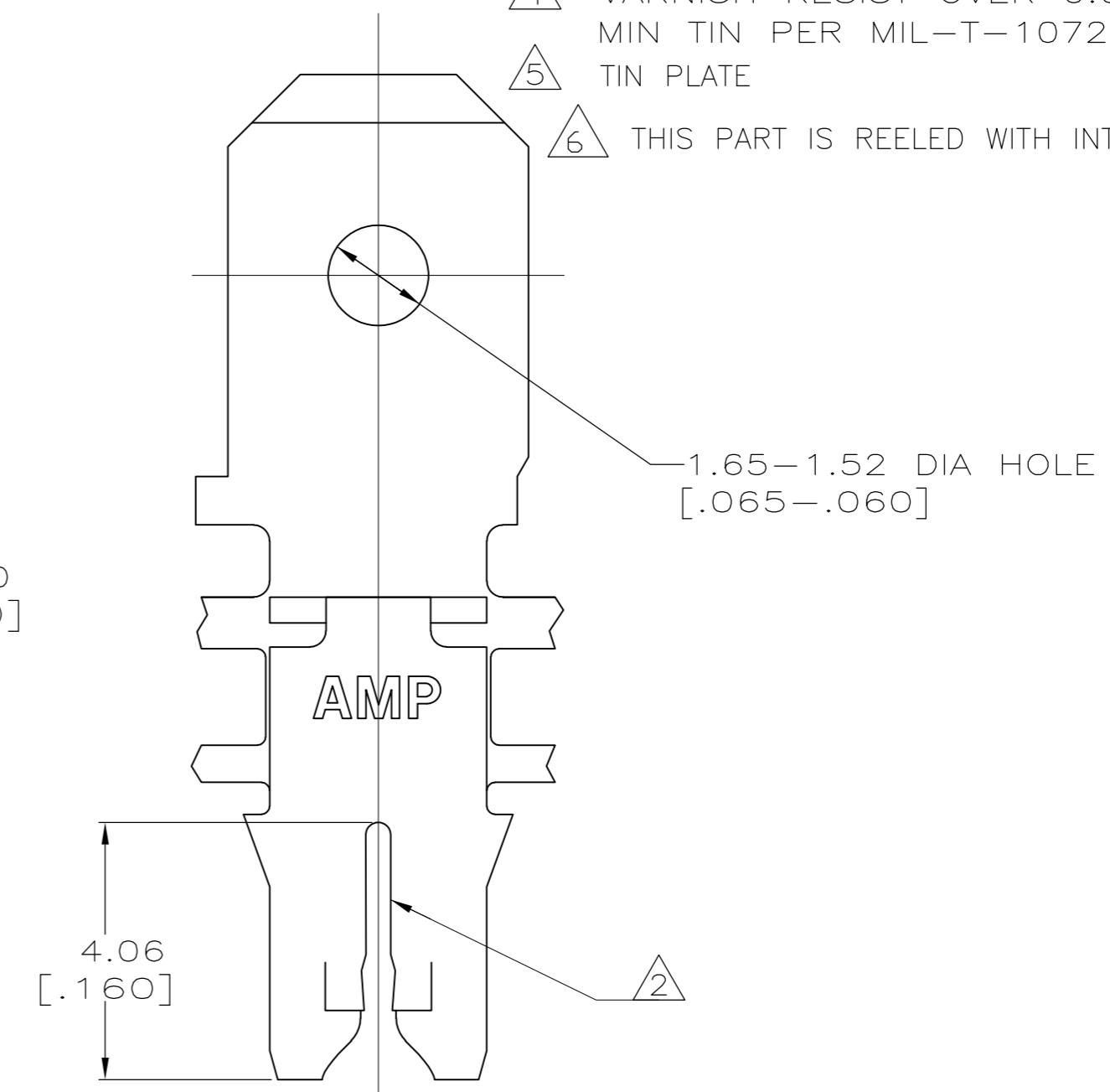
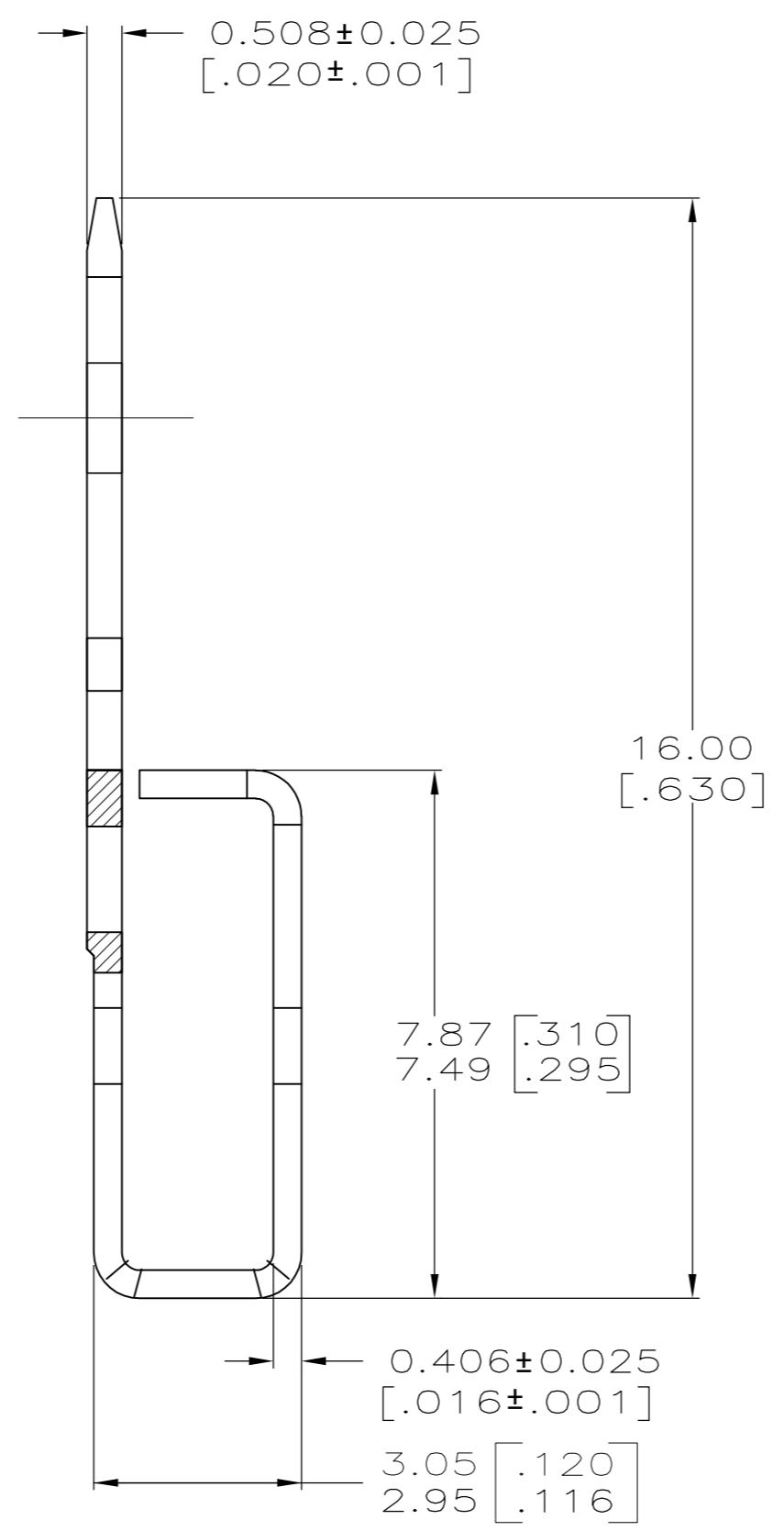
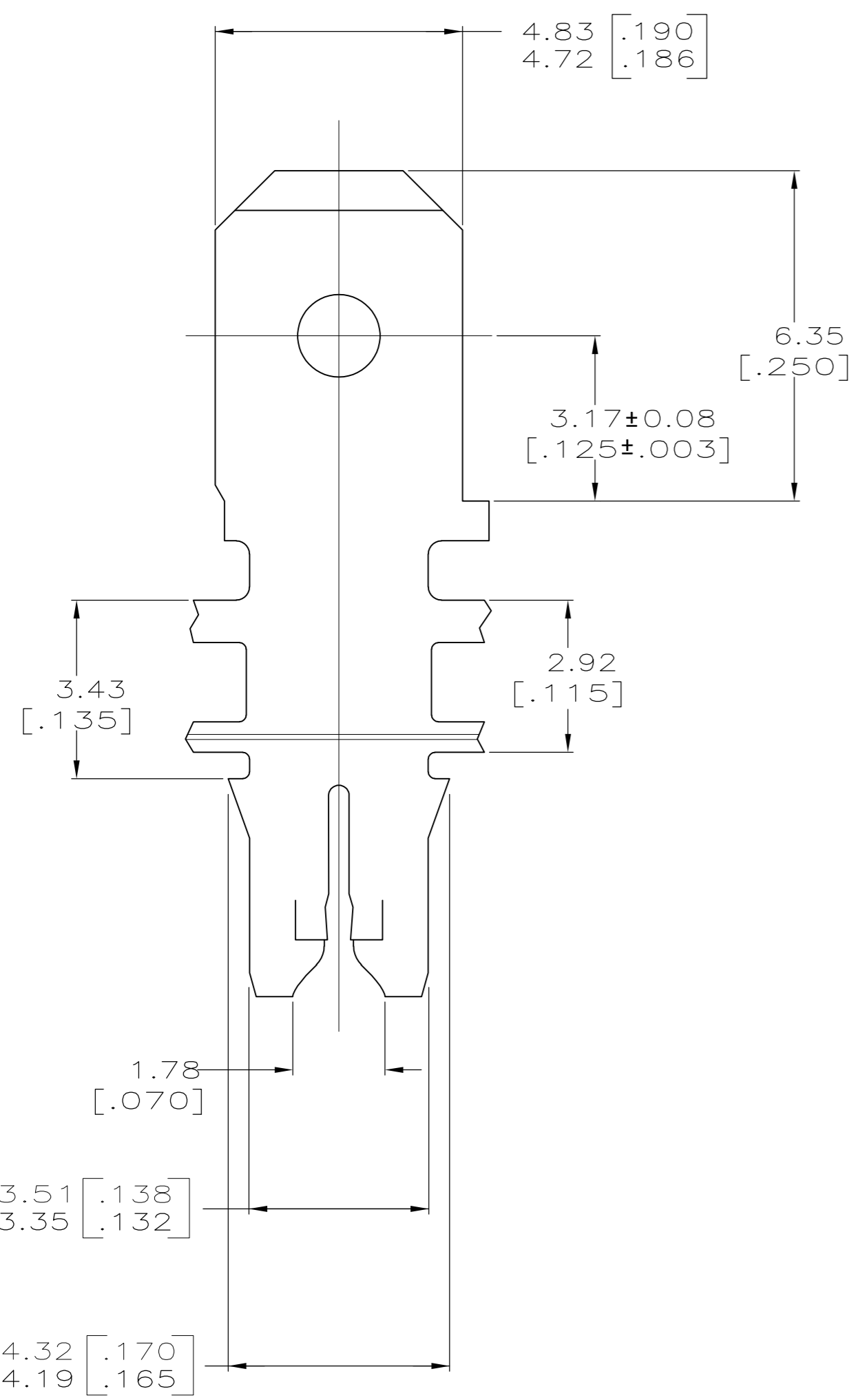
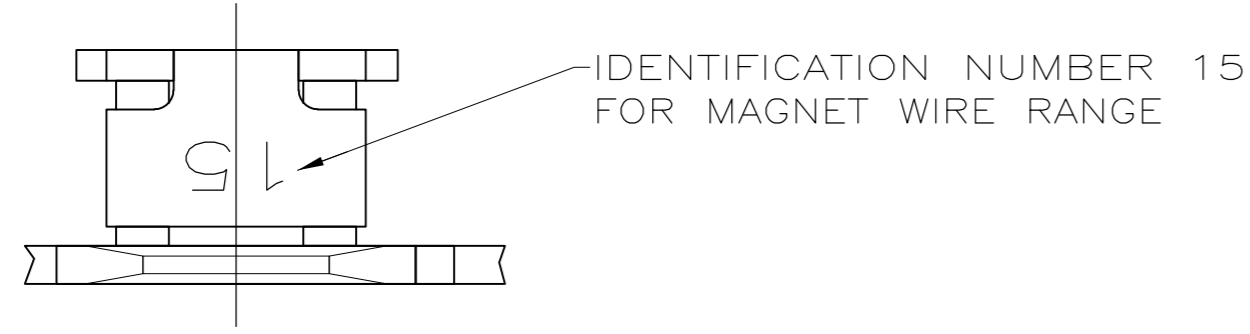


THIS DRAWING IS UNPUBLISHED. RELEASED FOR PUBLICATION  
 © COPYRIGHT - By TE CONNECTIVITY ALL RIGHTS RESERVED.

REVISIONS				
P	LTR	DESCRIPTION	DATE	DWN APVD
E4		RELEASED 63663-3	21NOV2016	SV PKS



- 1 CONTINUOUS STRIP ON REELS WITH TERMINALS LOCATED ON 5.59 ± 0.08 [.220±.003] CENTERS.
- 2 SLOT TERMINATES A SINGLE MAGNET WIRE ONLY. COPPER RANGE: 0.64-0.81mm [#22-#20] AWG. ALUMINUM RANGE: 0.72-0.91mm [#21-#19] AWG. ALUMINUM WIRE RANGE APPLIES FOR POST-TIN PLATED VERSIONS ONLY.
- 3 AFTER INSERTION INTO PLASTIC HOLDER TAB PORTION MUST BE BENT OVER 45° TO 90° OR POTTED-IN TO PREVENT PULL-OUT WHEN MATING RECEPTACLE IS DISCONNECTED.
- 4 VARNISH RESIST OVER 0.002032 [.000080] MIN TIN PER MIL-T-10727.
- 5 TIN PLATE
- 6 THIS PART IS REELED WITH INTERLAYER PAPER.

5	63663-3	6
5	63663-2	
4	63663-1	
FINISH	PART NO.	

THIS DRAWING IS A CONTROLLED DOCUMENT.		DWN 9/3/92 MICHAEL S. FEHER	TE Connectivity	
DIMENSIONS: INCHES		CHK 9/4/92 PHILLIP M. FORTNEY	NAME	
TOLERANCES UNLESS OTHERWISE SPECIFIED:		APVD 9/15/92 NELSON E. NEFF	PRODUCT SPEC	
0 PLC ± -		108-2012		
1 PLC ± -		APPLICATION SPEC		
2 PLC ± 0.25 [.010]		114-2046		
3 PLC ± -		WEIGHT 0		
4 PLC ± -		SIZE A2 CAGE CODE 00779 C=63663		
ANGLES ± -		DRAWING NO		
FINISH SEE TABLE		RESTRICTED TO		
MATERIAL BRASS		SCALE 10:1 SHEET 1 OF 1 REV E4		
CUSTOMER DRAWING				

单击下面可查看定价，库存，交付和生命周期等信息

[>>TE Connectivity\(泰科\)](#)