
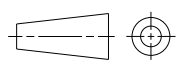


REVISIONS					
P	LTR	DESCRIPTION	DATE	DWN	APVD
	A2	REVISED PER ECR-20-008867	02JUL2020	BH	E.W

PRETINNED	CuSn4	0-928923-5	
SEL. SILVER PLATED	CuSn4	0-928923-4	OBSOLETE
PLAIN	CuSn4	0-928923-3	OBSOLETE
SEL. GOLD PLATED	CuSn4	0-928923-2	OBSOLETE
PRETINNED	CuZn30	0-928923-1	
FINISH	MATERIAL	PART NO	

REFER TO PRODUCT GROUP DRAWING
1670467
FOR LATEST INFORMATION ON THE PART.

© 2020 TE Connectivity. All Rights Reserved.

DIMENSIONS: mm	DWN T. Konecny	21AUG2006	MATERIAL	-	FINISH	-
	CHK P.Hasek	60CT2006				
TOLERANCES UNLESS OTHERWISE SPECIFIED: 0 PLC ± - 1 PLC ± - 2 PLC ± - 3 PLC ± - 4 PLC ± - ANGLES ± -	APVD R.Vlcek	90CT2006				
	PRODUCT SPEC	108-18299	SIZE	CAGE CODE	DRAWING NO	RESTRICTED TO
	APPLICATION SPEC	114-18014	A 4	00779	C-928923	
	WEIGHT	-	CUSTOMER DRAWING			
		SCALE		3:1	SHEET	1 OF 1
				REV		A2

单击下面可查看定价，库存，交付和生命周期等信息

[>>TE Connectivity\(泰科\)](#)