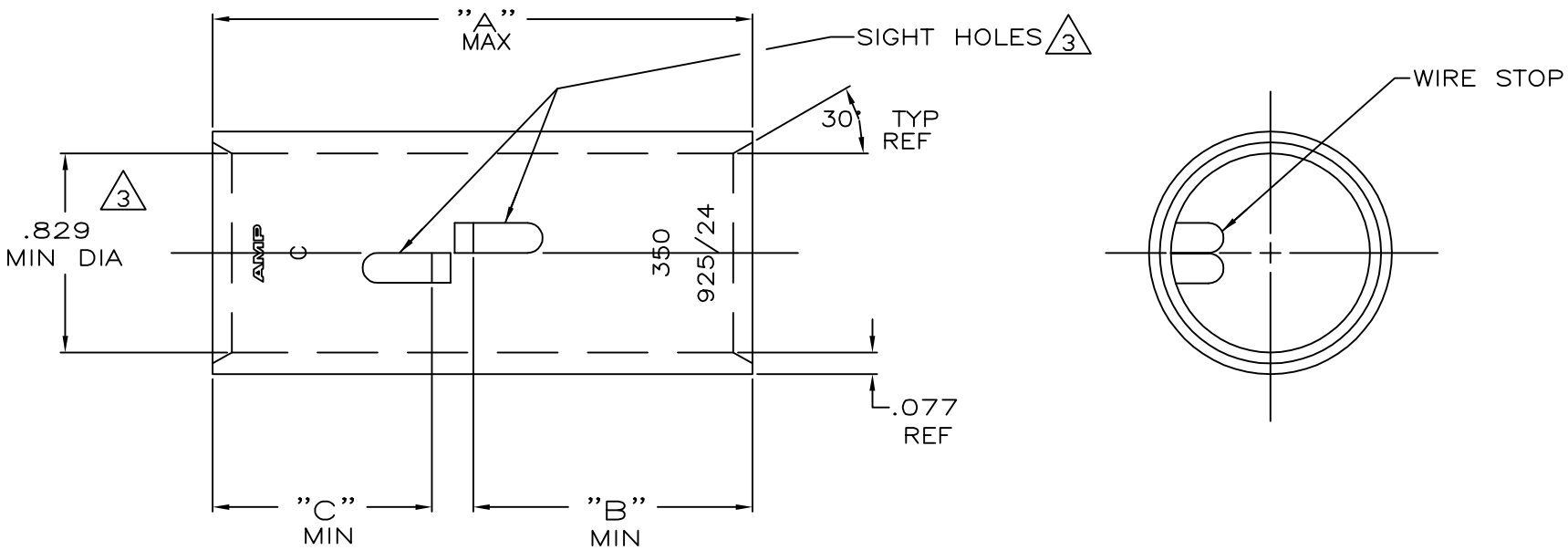


THIS DRAWING IS UNPUBLISHED. RELEASED FOR PUBLICATION
 © COPYRIGHT - By - ALL RIGHTS RESERVED.

LOC	DIST	REVISIONS			
P	LTR	DESCRIPTION	DATE	DWN	APVD
G	86	N	ECR-13-000998	11FEB2013	PK HS



- ① TIN PL .000150 MIN THK MIL-T-10727
- ② PART NO: 324464; .146 LB.
PART NO: 1-324464-0; .146 LB.
PART NO: 2-324464-1; .164 LB.
PART NO: 2-324464-2; .164 LB.
- ③ .045 MAX BURR ALLOWED INSIDE THE WIRE BARREL ID IN AREA OF SIGHT HOLE.

.91	1.16	2.29	CLEANED	325-375 MCM	COPPER ASTM-B-75 ANNEALED	2-324464-2
.91	.91	2.06	CLEANED			1-324464-0
"C"	"B"	"A"	FINISH	WIRE RANGE	MATERIAL	PART No 324464

THIS DRAWING IS A CONTROLLED DOCUMENT.

DIMENSIONS: INCHES	TOLERANCES UNLESS OTHERWISE SPECIFIED:	DWN DK SCHRUM 4/24/89		NAME SPLICE, BUTT, AMPPOWER WIRE SIZE: 350 MCM	
	0 PLC ± -	CHK MS FEHER 4/24/89			
	1 PLC ± -	APVD WJ VOCKROTH 11/8/89			
	2 PLC ± -	PRODUCT SPEC			
MATERIAL SEE TABLE	FINISH SEE TABLE	APPLICATION SPEC	SIZE A3	CAGE CODE 00779	
CUSTOMER DRAWING			DRAWING NO C=324464	RESTRICTED TO	
			SCALE 2:1	SHEET 1 OF 1	REV N

单击下面可查看定价，库存，交付和生命周期等信息

[>>TE Connectivity\(泰科\)](#)