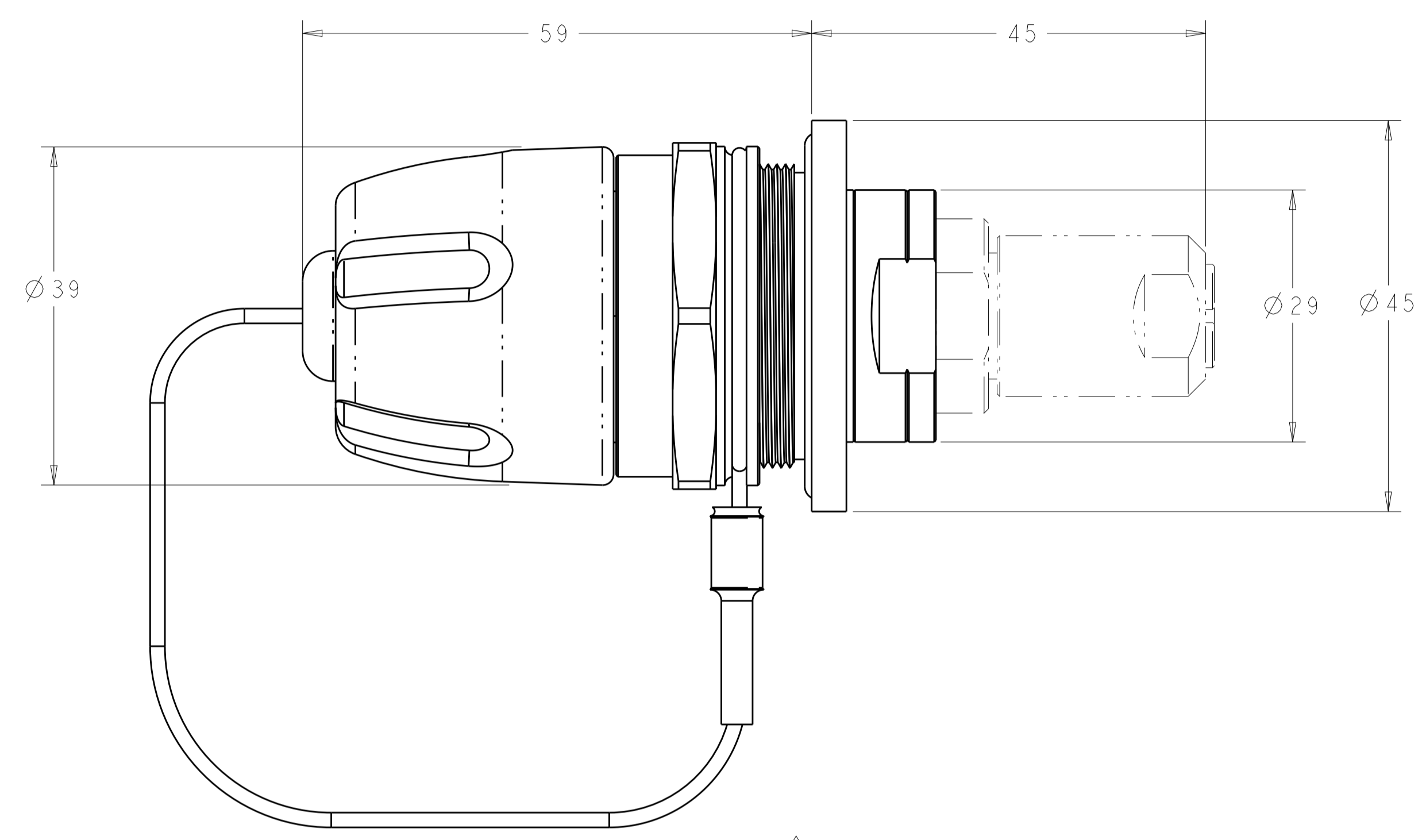


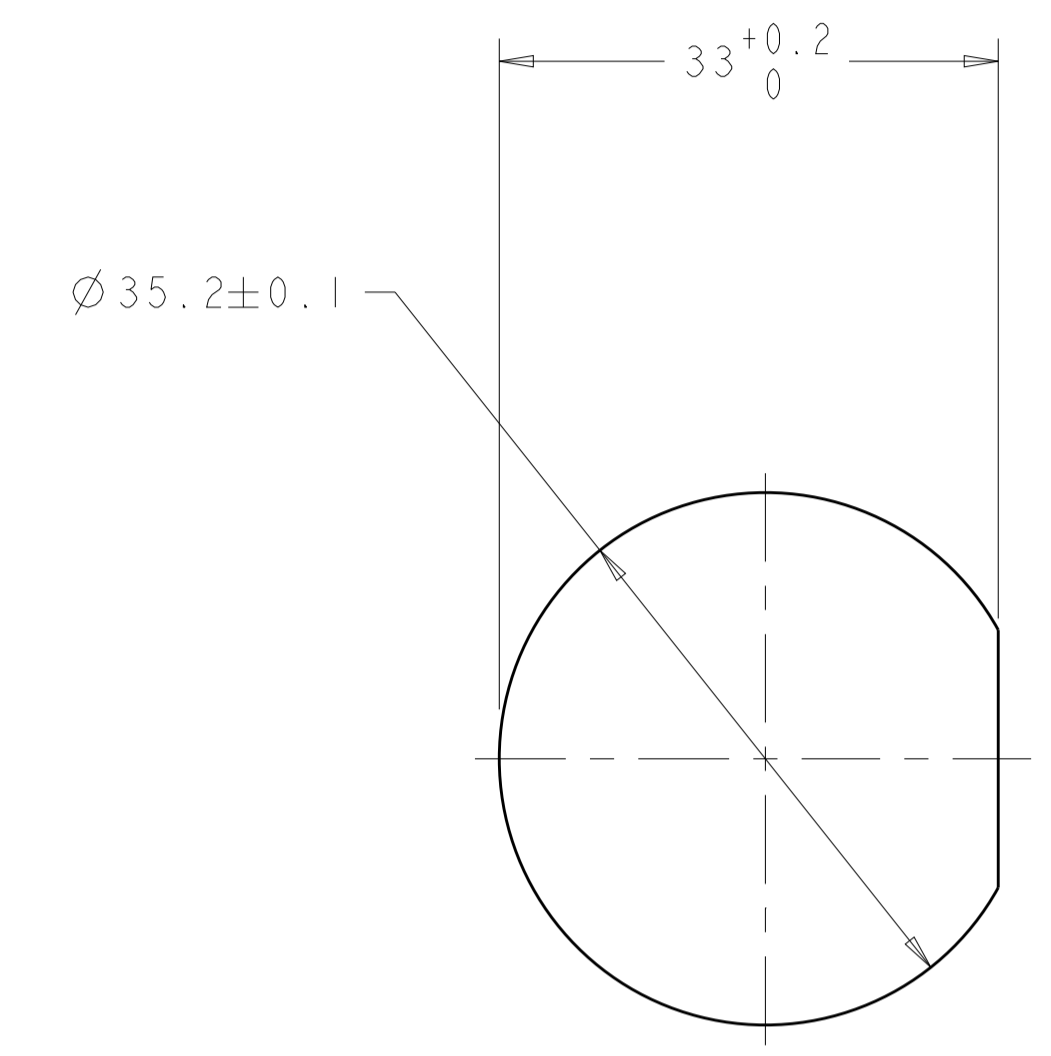
REVISIONS				
P.	LTN	DESCRIPTION	DATE	APVD
	D2	ECR-15-009282	29JUL2015	KG DW

- ASSEMBLY SHOWN FOR REFERENCE ONLY. SHIPPED LOOSE PIECE AS SHOWN ON PAGE 2.
- ALL ASSEMBLY DIMENSIONS ARE FOR REFERENCE ONLY.
- PANEL THICKNESS SHOULD BE BETWEEN 1mm AND 6.5mm.
- THIS PRODUCT HAS NOT COMPLETED VALIDATION TESTING.
- COMPLETE THE CONNECTOR ASSEMBLY BY ADDING EACH OF THE FOLLOWING PRO BEAM SR. KITS:
 - EXPANDED BEAM INSERT ASSEMBLY KIT;
 - CABLE ADAPTER KIT, SIZED TO THE CABLE JACKET DIAMETER;
 - FERRULE KIT, ONE PER FIBER.

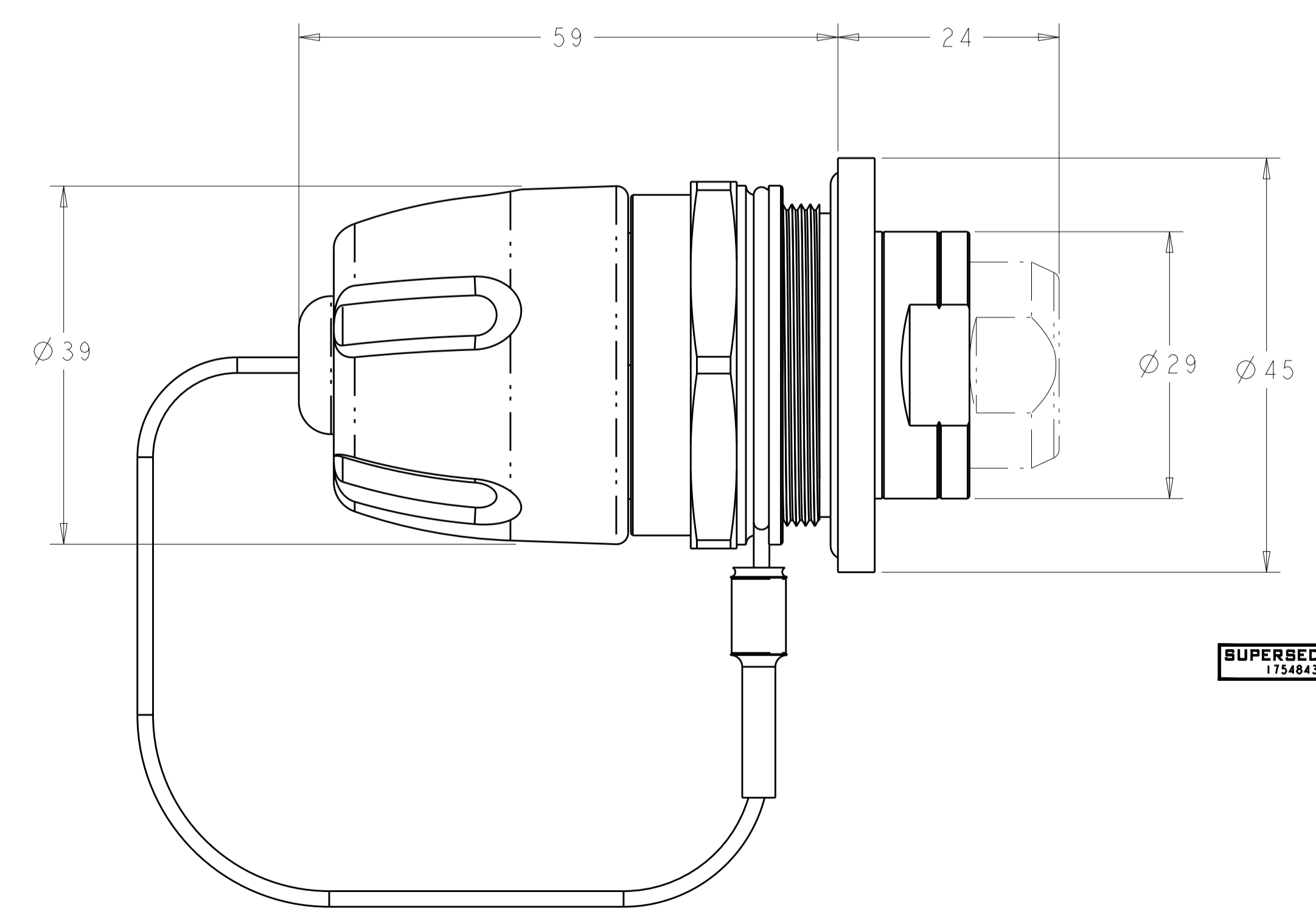
6 VIEWS SHOWN WITH CABLE ADAPTER VARIATIONS IN PHANTOM LINES FOR VISUAL AND DIMENSIONAL REFERENCE ONLY. CABLE ADAPTER KITS ARE ORDERED SEPERATELY.



6 SHOWN WITH STANDARD ADAPTER FOR MIL-TACTICAL CABLE



3 RECOMMENDED PANEL CUT-OUT



6 SHOWN WITH LOW-PROFILE ADAPTER FOR BUFFERED FIBER

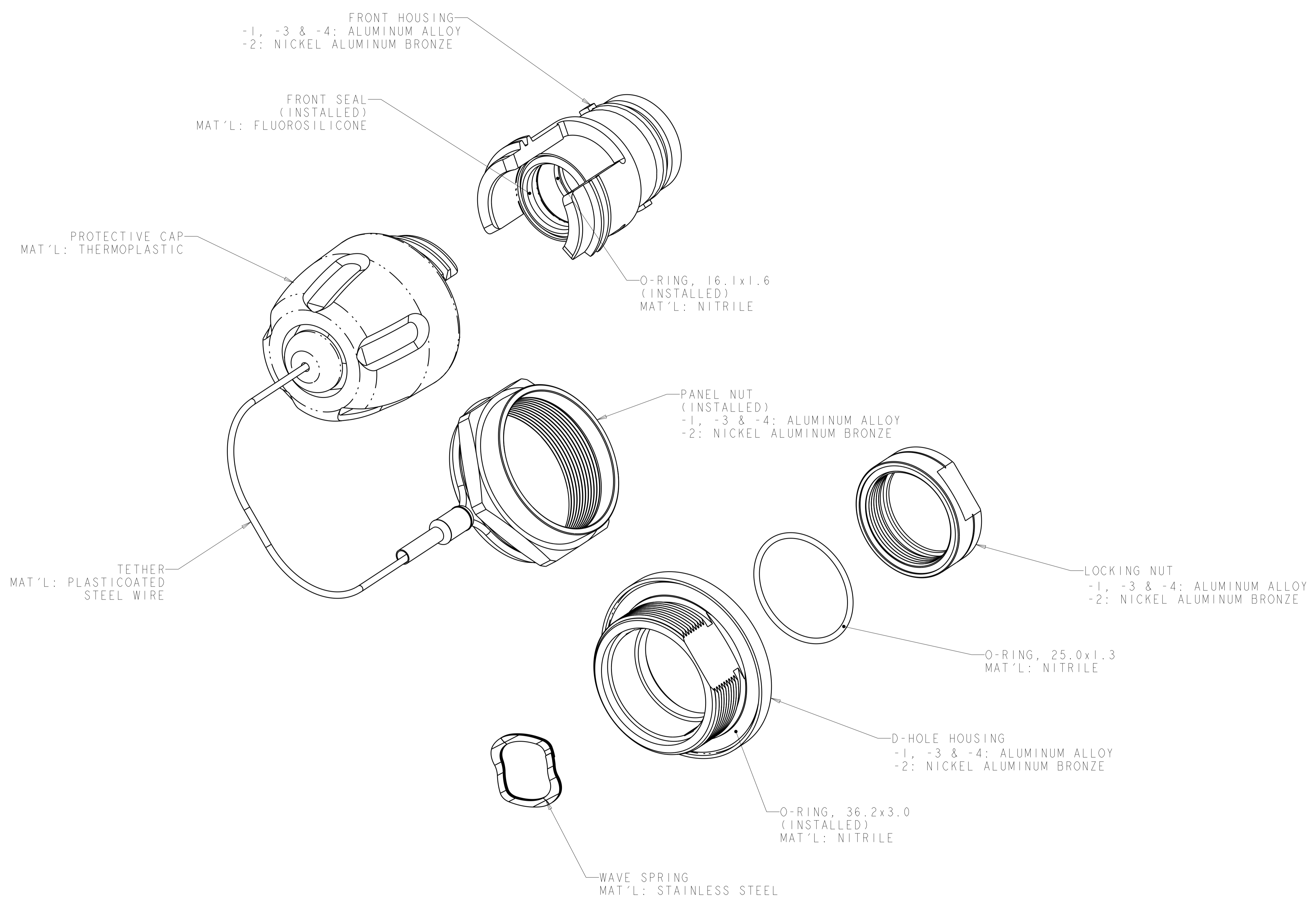
SUPERSEDED BY:
1754843-4

CONDUCTIVE BLACK Zn-Ni	ALUMINUM	1754843-4
CONDUCTIVE OLIVE DRAB	ALUMINUM	1754843-3
N/A	NICKEL ALUMINUM BRONZE	1754843-2
HARD ANODIZE	ALUMINUM	1754843-1
PLATING	HOUSING ALLOY	PART NUMBER

THIS DRAWING IS A CONTROLLED DOCUMENT.		DWN K. GLATFELT 23JUL2004	TE Connectivity
DIMENSIONS:		CHK D. WERTMAN 12AUG2004	
mm	TOLERANCES UNLESS OTHERWISE SPECIFIED:	APVD D. WERTMAN 13AUG2004	NAME CONNECTOR SHELL KIT, D-HOLE BULKHEAD, PRO BEAM SR.
0 PLC	±	PRODUCT SPEC	SIZE
1 PLC	±	APPLICATION SPEC	CAGE CODE
2 PLC	±	WEIGHT	DRAWING NO
3 PLC	±	Customer Drawing	RESTRICTED TO
4 PLC	±	SCALE 2:1	SHEET 1 OF 2
ANGLES	±	REV D2	
MATERIAL	SEE TABLE		

REVISIONS				
P.	LTN	DESCRIPTION	DATE	APVD
-	-	SEE SHEET 1	-	-

1. SHIPPED LOOSE PIECE AS SHOWN.



THIS DRAWING IS A CONTROLLED DOCUMENT.		DWN A. GLATFELT 23 JUL 2004	TE Connectivity										
DIMENSIONS: mm		CHK D. WERTMAN 12 AUG 2004											
<table border="1"> <tr> <td>0 PLC</td> <td>±</td> </tr> <tr> <td>2 PLC</td> <td>±</td> </tr> <tr> <td>3 PLC</td> <td>±</td> </tr> <tr> <td>4 PLC</td> <td>±</td> </tr> <tr> <td>ANGLES</td> <td>±</td> </tr> </table>		0 PLC	±	2 PLC	±	3 PLC	±	4 PLC	±	ANGLES	±	APVD D. WERTMAN 13 AUG 2004	NAME CONNECTOR SHELL KIT, D-HOLE BULKHEAD, PRO BEAM SR.
0 PLC	±												
2 PLC	±												
3 PLC	±												
4 PLC	±												
ANGLES	±												
MATERIAL SEE TABLE		FINISH SEE TABLE	RESTRICTED TO										
Customer Drawing		SCALE 1:1	SHEET 2 OF 2 REV D2										

单击下面可查看定价，库存，交付和生命周期等信息

[>>TE Connectivity\(泰科\)](#)