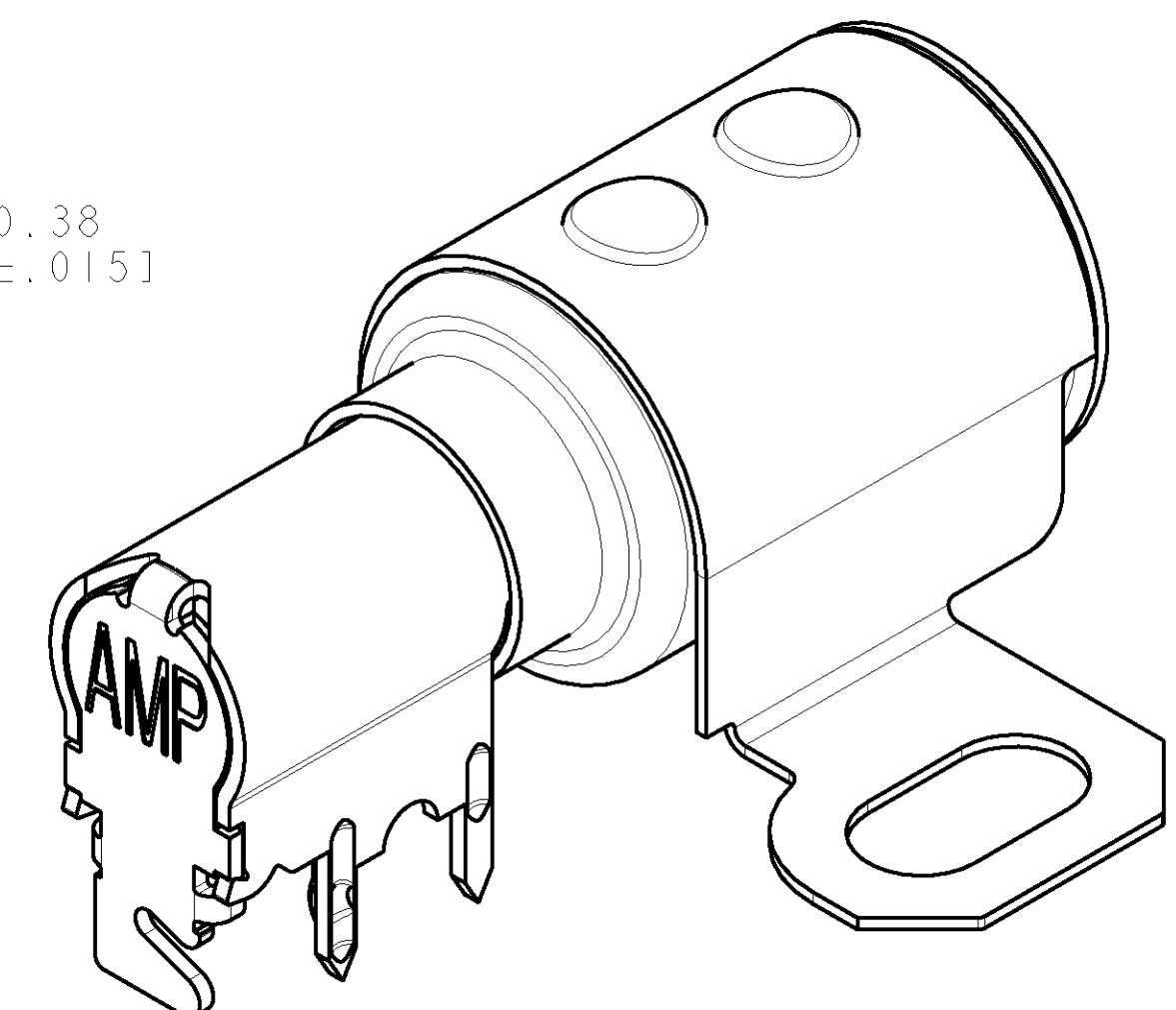
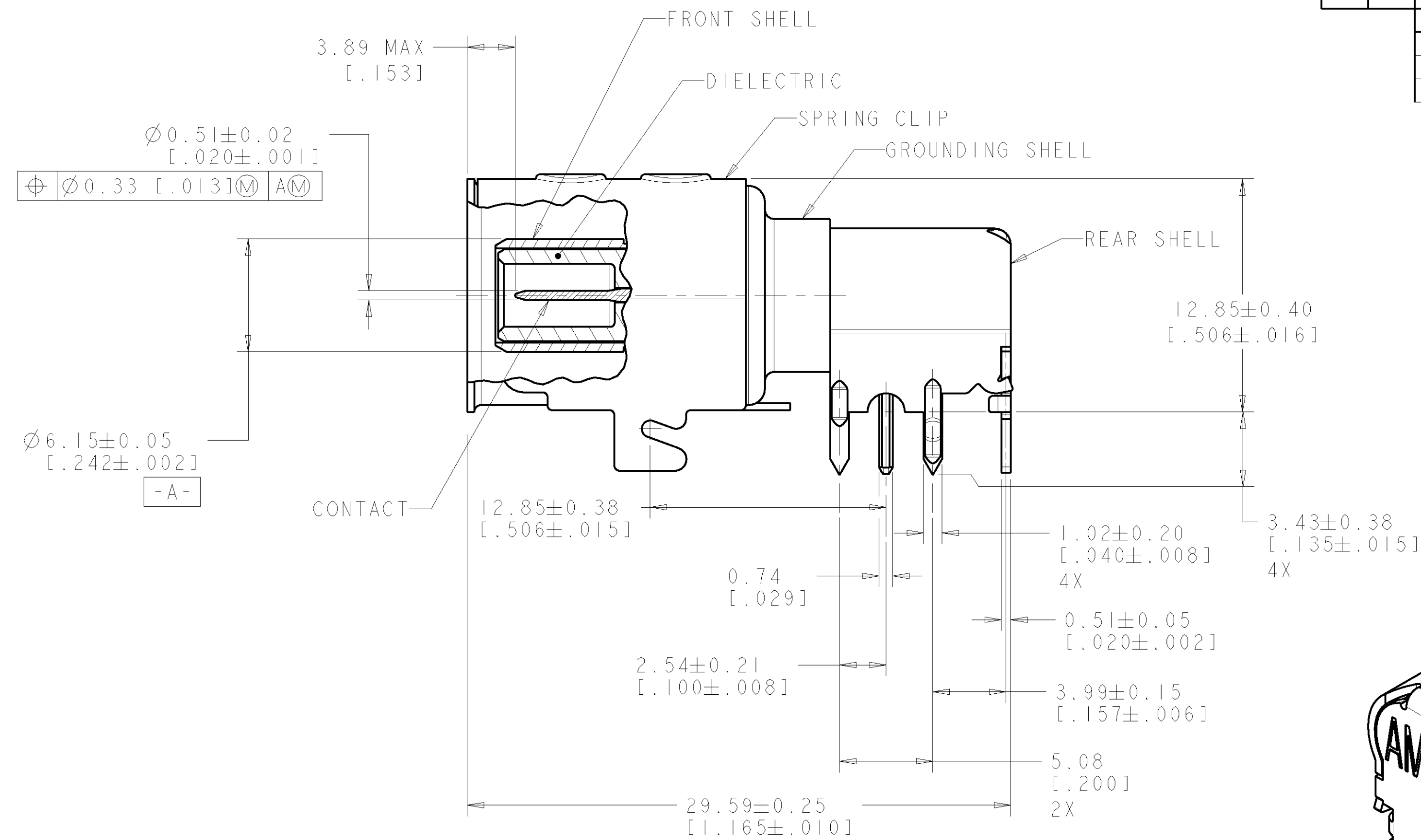
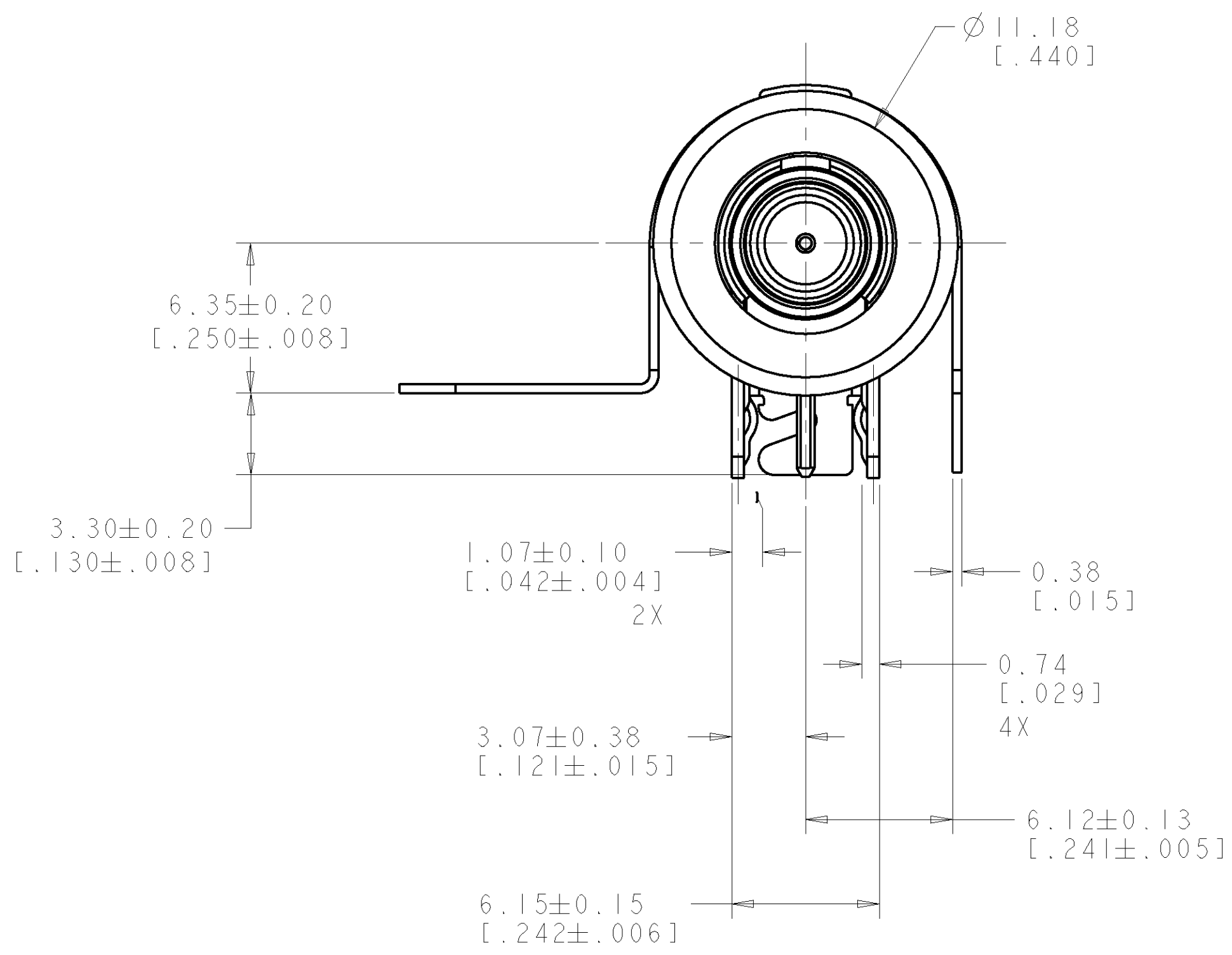
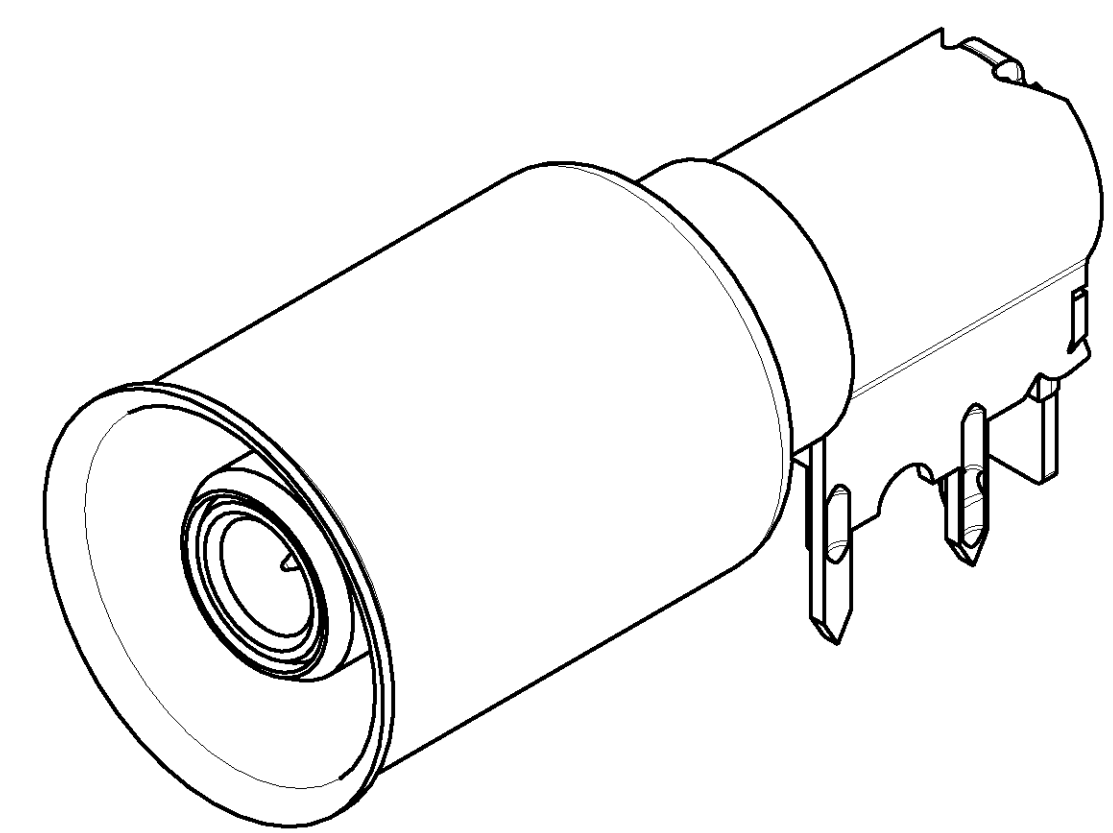
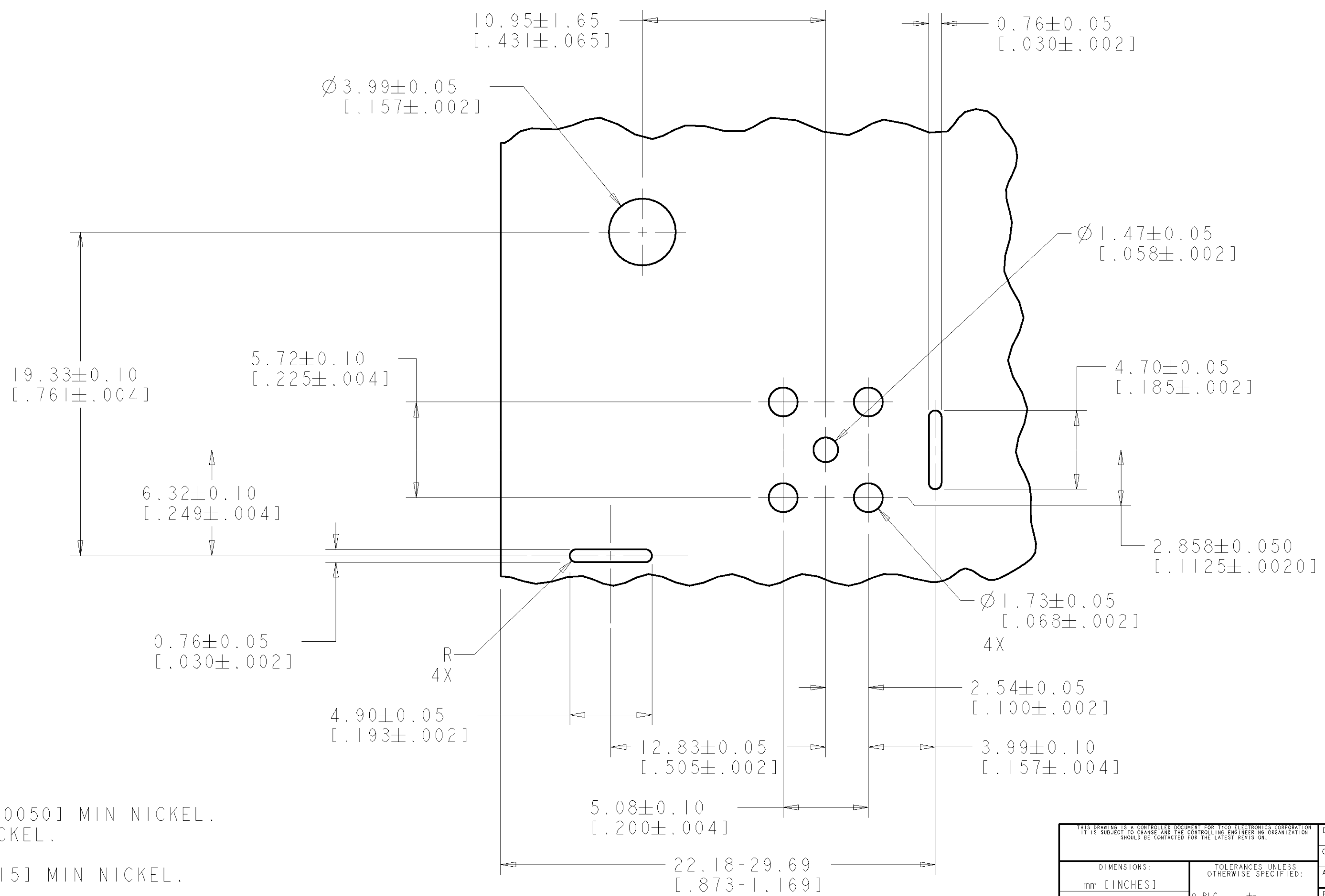
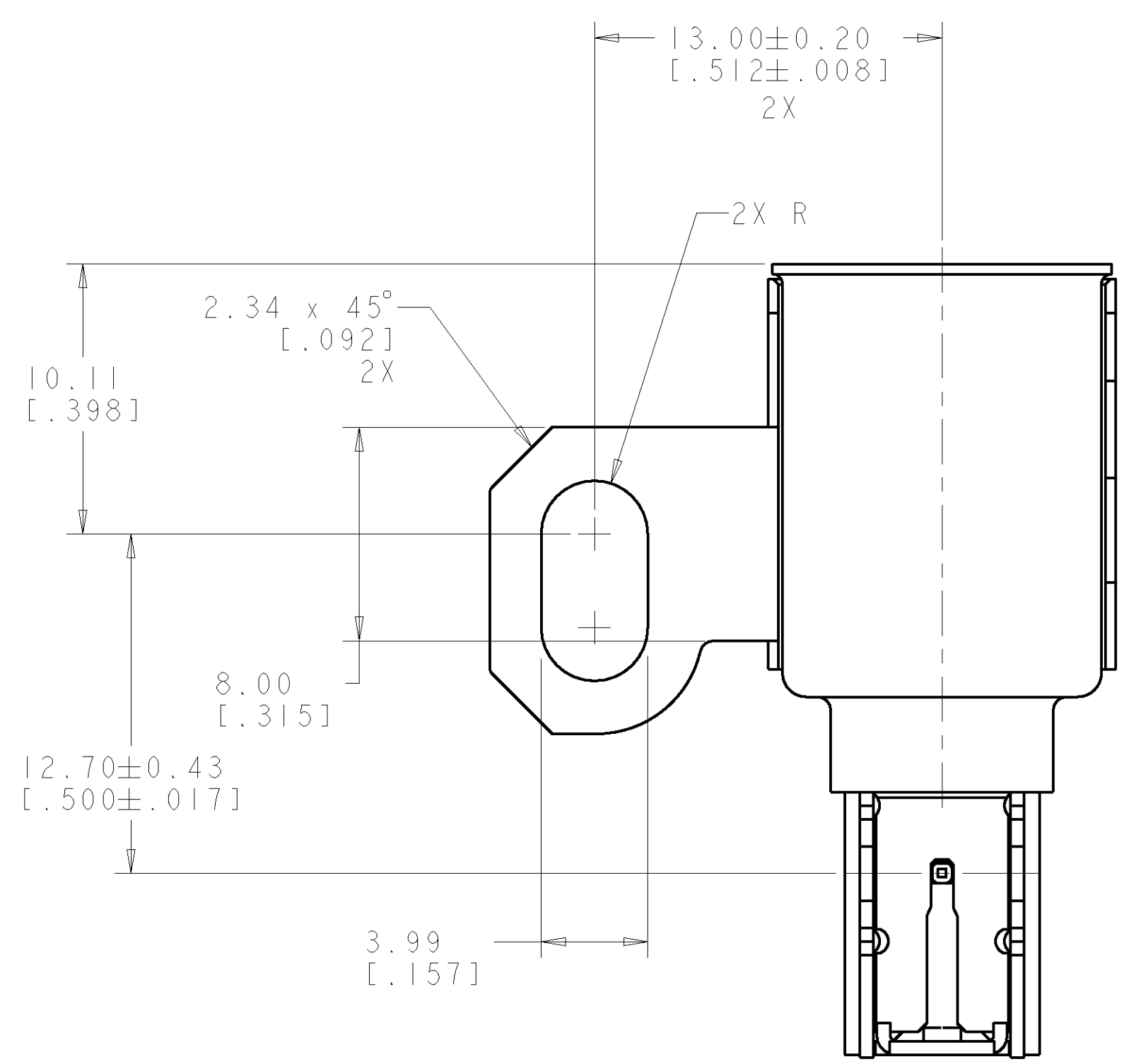


LOC	QTY	REV	DESCRIPTION	DATE	OWN	APPV
1N	00	D	REVISED PER ECR 07-016700	18JUL2007	DLD	LLV



1488886-1  
WITH SPRING CLIP



1488886-5  
WITHOUT SPRING CLIP

- 1 FRONT SHELL, REAR SHELL AND CONTACT - BRASS.  
DIELECTRIC - POLYMETHYLPENTENE, NATURAL.  
GROUNDING SHELL SUBASSEMBLY:  
GROUNDING SHELL - BRASS.  
SPRING CLIP - PHOSPHOR BRONZE.
- 2 FRONT AND REAR SHELL -  $2.54 \mu\text{m}$  [.000100] MIN TIN OVER  $1.27 \mu\text{m}$  [.000050] MIN NICKEL.  
CONTACT -  $3.81 \mu\text{m}$  [.000150] MIN TIN OVER  $1.27 \mu\text{m}$  [.000050] MIN NICKEL.  
GROUNDING SHELL SUBASSEMBLY:  
GROUNDING SHELL -  $5.08 \mu\text{m}$  [.000200] MIN TIN OVER  $0.38 \mu\text{m}$  [.000015] MIN NICKEL.  
SPRING CLIP -  $3.0 \mu\text{m}$  [.000118] MIN TIN.

3. PART MUST FIT TO PCB WITHOUT DAMAGE

RECOMMENDED PC BOARD LAYOUT  
CONNECTOR SIDE OF BOARD

DESCRIPTION	PART NUMBER
WITHOUT SPRING CLIP	1488886-5
WITH SPRING CLIP	1488886-1

DIMENSIONS: mm [INCHES]		TOLERANCES UNLESS OTHERWISE SPECIFIED: 0 PLC ± .01 1 PLC ± .01 2 PLC ± .01 3 PLC ± .01 4 PLC ± .01 ANGLES ± .1°		DWN J. HARDY 16SEP2003 CHK J. M. RAUDENBUSH 16SEP2003 APPV J. M. RAUDENBUSH 16SEP2003 NAME PRODUCT SPEC APPLICATION SPEC 114-13138 WEIGHT CUSTOMER DRAWING		Tyco Electronics Harrisburg, PA 17105-3608 JACK ASSEMBLY, PC BOARD, 1 POSITION, SNAP-LOCK SIZE 114-13138 SCALE 5:1 SHEET 1 OF 1 REV D	
----------------------------	--	---	--	--	--	---	--

单击下面可查看定价，库存，交付和生命周期等信息

[>>TE Connectivity\(泰科\)](#)