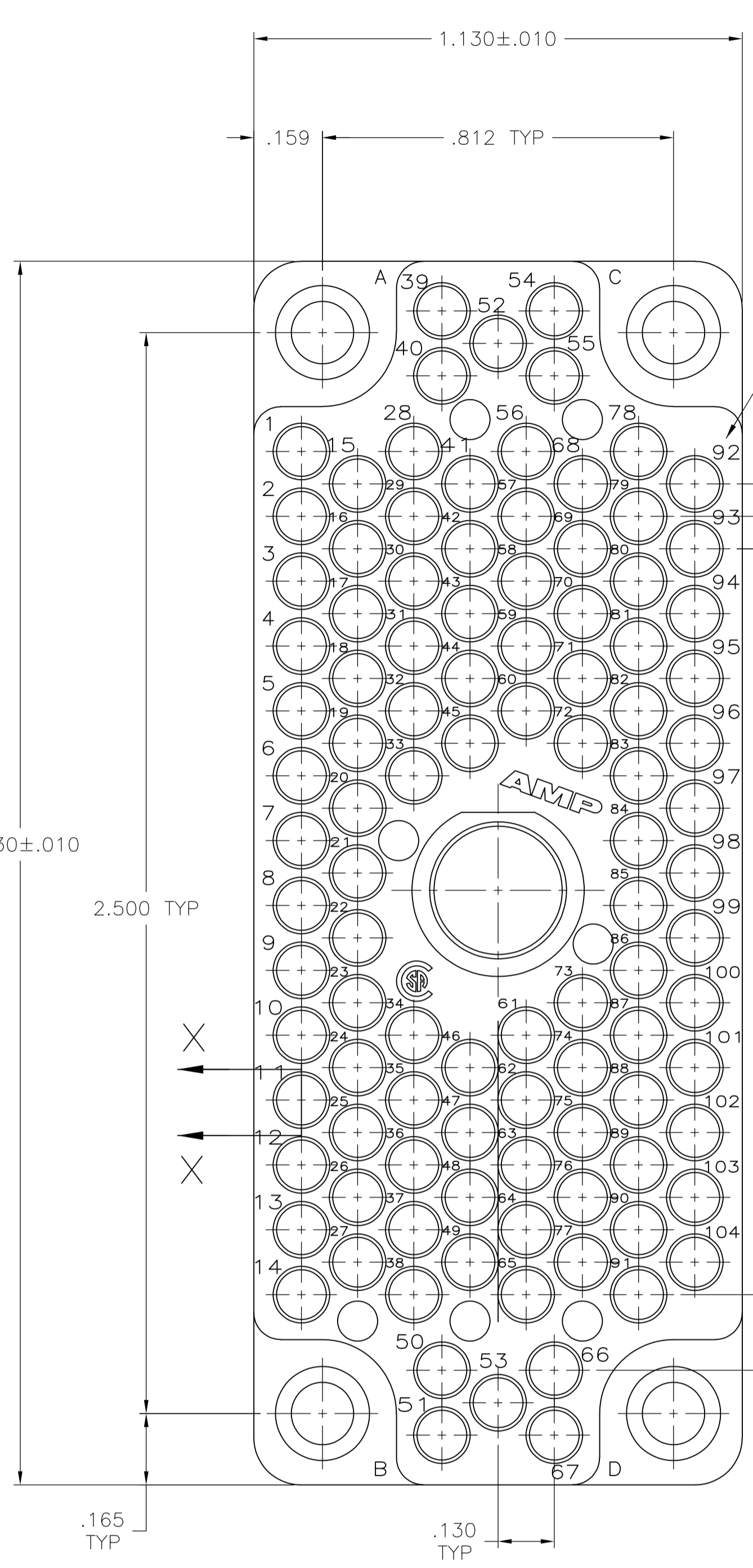
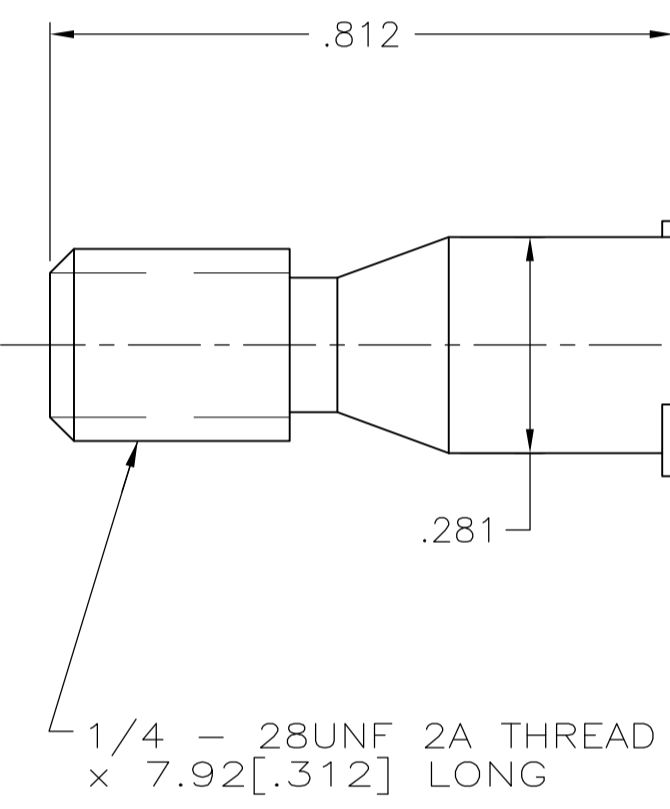


REVISIONS					
REV	DATE	DESCRIPTION	BY	CHK	APPV
AN3	28SEP2016	REVISED PER ECO-16-004000	NK	MZ	



MATING FACE
MOLDED CHARACTERS BOTH SIDES

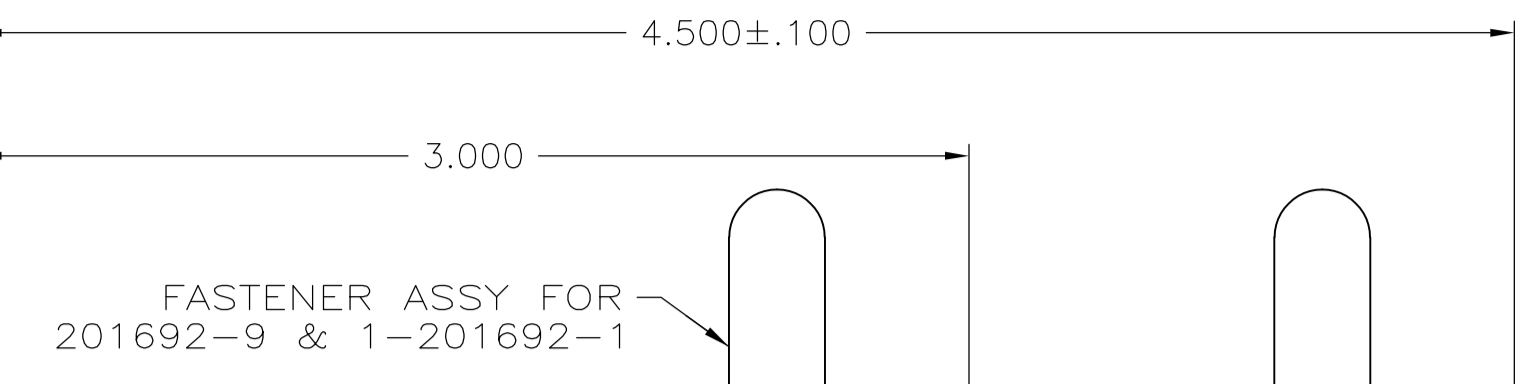
.150 TYP
.075 TYP



AMP, PART NUMBER & DATE CODE IN THIS AREA

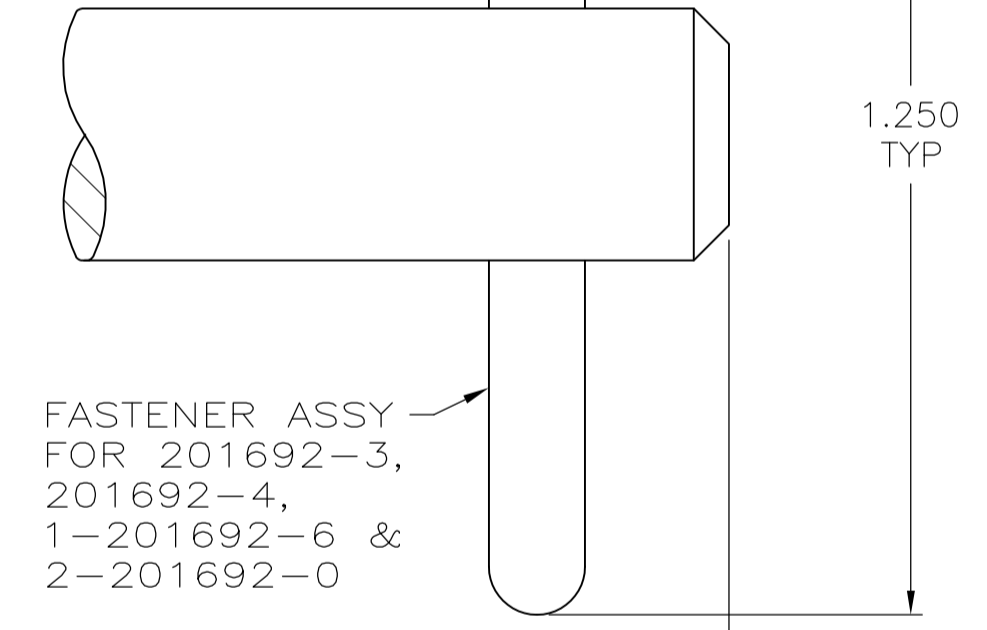
.175 TYP

.165 TYP
.130 TYP



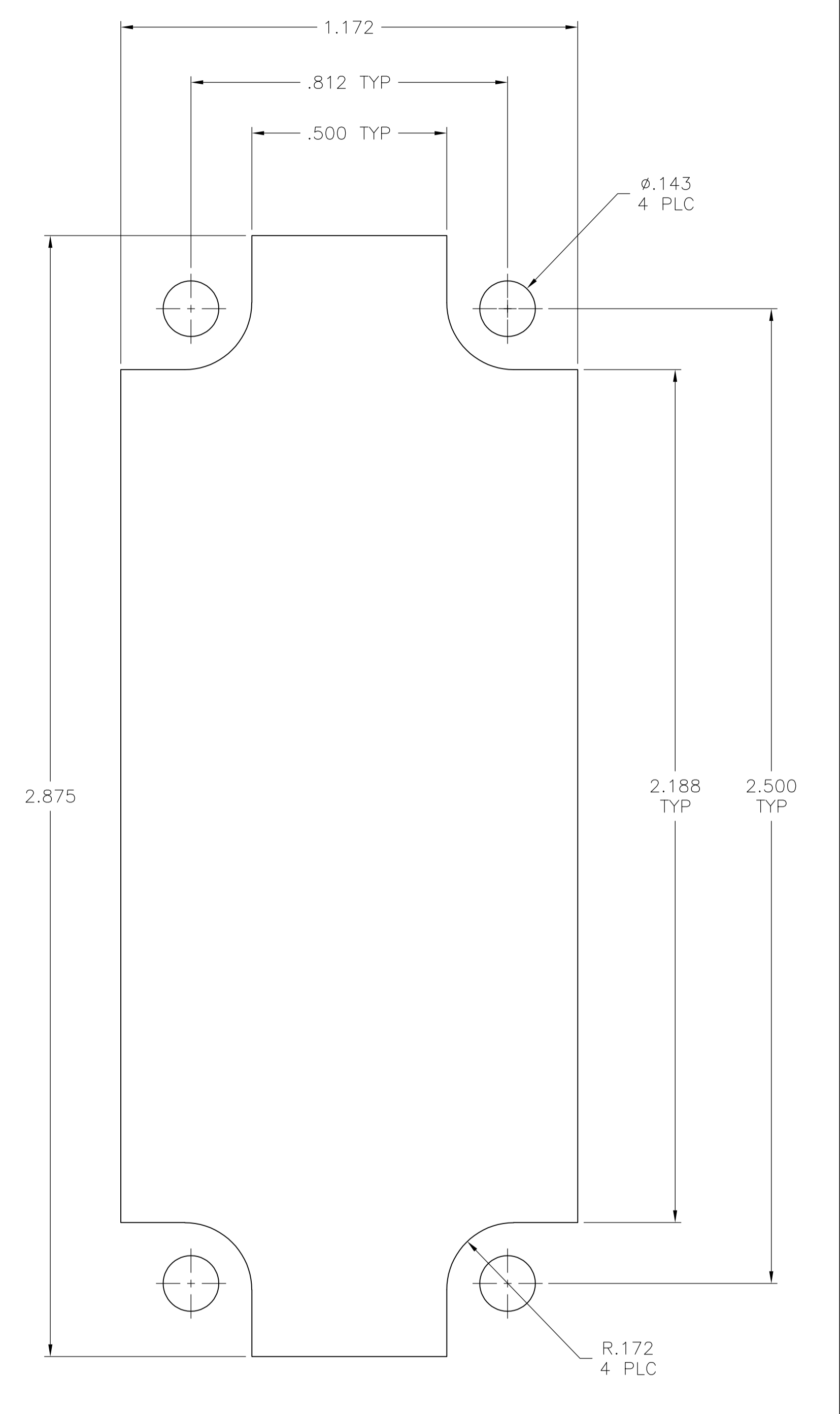
FASTENER FOR 201692-2 & 1-201692-9

FASTENER FOR 1-201692-7

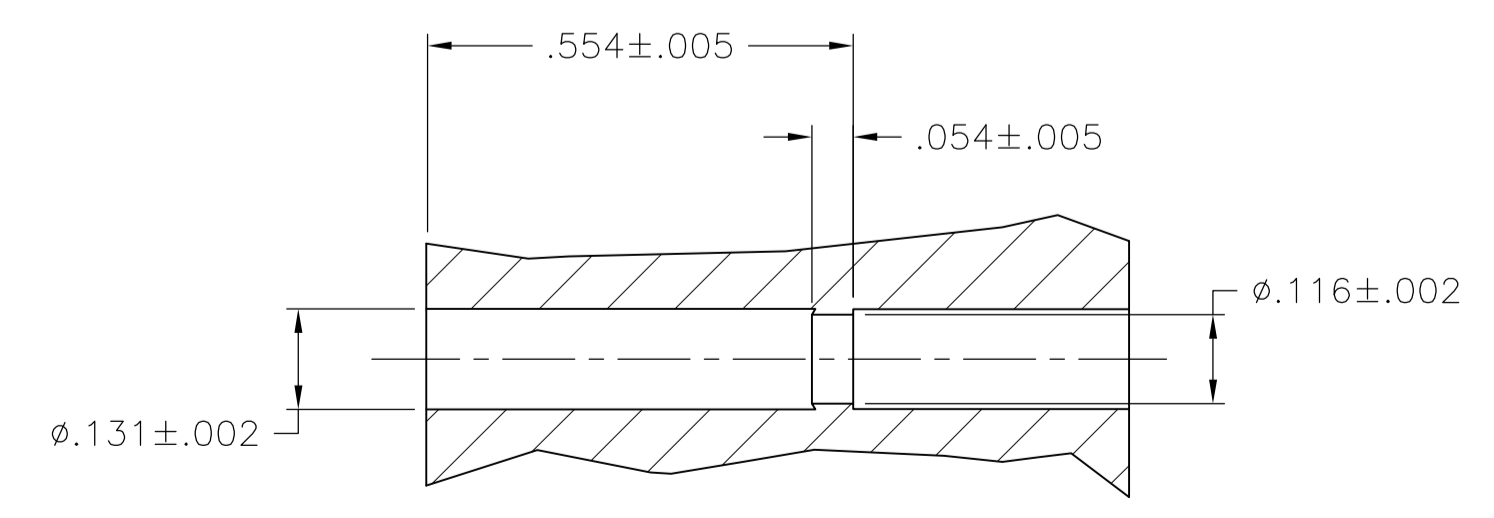


FASTENER ASSY FOR 201692-3, 201692-4, 1-201692-6 & 2-201692-0

FASTENER FOR 201962-6



PANEL CUT-OUT DETAIL



SECTION X-X TYP

- 1 PHENOLIC PER MIL-M-14F, TYPE MFH, BLACK.
- 2 DIALLYL PHTHALATE PER MIL-M-14F, TYPE SDG-F, BLUE.
- 3 VALOX 420 SEO.
- 4 ACCOMMODATES TYPE II OR TYPE III SIZE #16 SOCKET CONTACTS.
- 5 STAINLESS STEEL.
- 6 FOR MATING BLOCK SEE CUSTOMER DRAWING 201532.

REV	DATE	DESCRIPTION	BY	CHK	APPV
1		-2-201692-0			
3		1-201692-9			
1		1-201692-7			
3		1-201692-6			
1		1-201692-1			
2		201692-9			
1		201692-6			
1		201692-4			
2		201692-3			
1		201692-2			

BLOCK MATERIAL	PART NUMBER
1	201692-0
2	201692-1
3	201692-2
4	201692-3
5	201692-4
6	201692-6
7	201692-7
8	201692-9
9	201692-9
10	201692-9

THIS DRAWING IS A CONTROLLED DOCUMENT.

APPROVED: G.A. STEINHAUER, DATE: 03 JAN 96, NAME: G.A. STEINHAUER

STE TE Connectivity

PLUG BLOCK ASSEMBLY, 104 POSITION, RECTANGULAR M SERIES

SIZE: A1, CAGE CODE: 00779, DRAWING NO: 201692

CUSTOMER DRAWING, SCALE: 4:1, SHEET: 1 OF 1, REV: AN3

单击下面可查看定价，库存，交付和生命周期等信息

[>>TE Connectivity\(泰科\)](#)