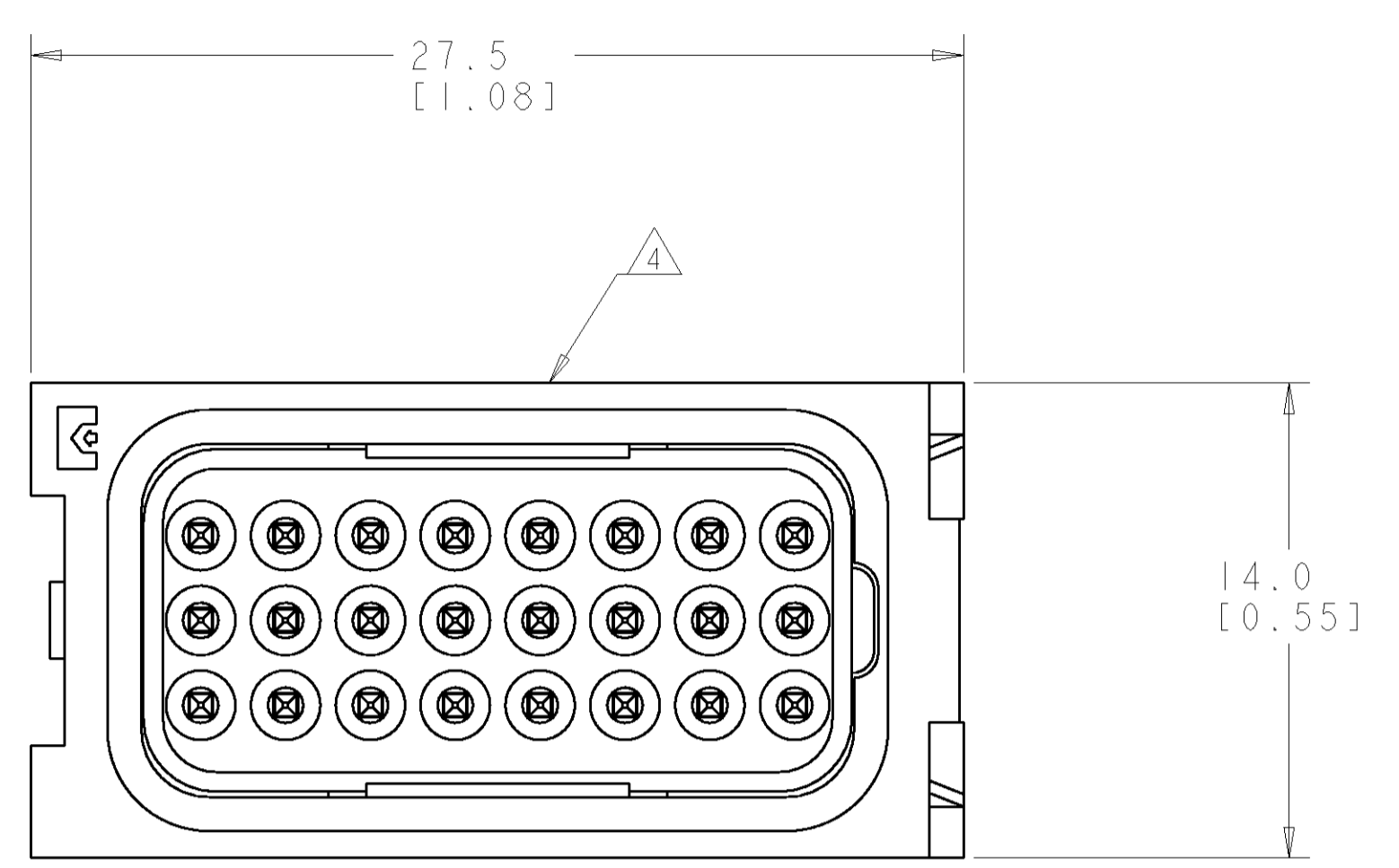


| LOC | DIST | REVISIONS | | | | | |
|-----|------|-----------|-----|--------------------|-----------|-----|------|
| GP | 00 | P | LTR | DESCRIPTION | DATE | DWN | APVD |
| | | A | | RELEASED | 10OCT2006 | RG | DO |
| | | B | | REV PER ECO-011569 | 21MAY2007 | RG | PD |



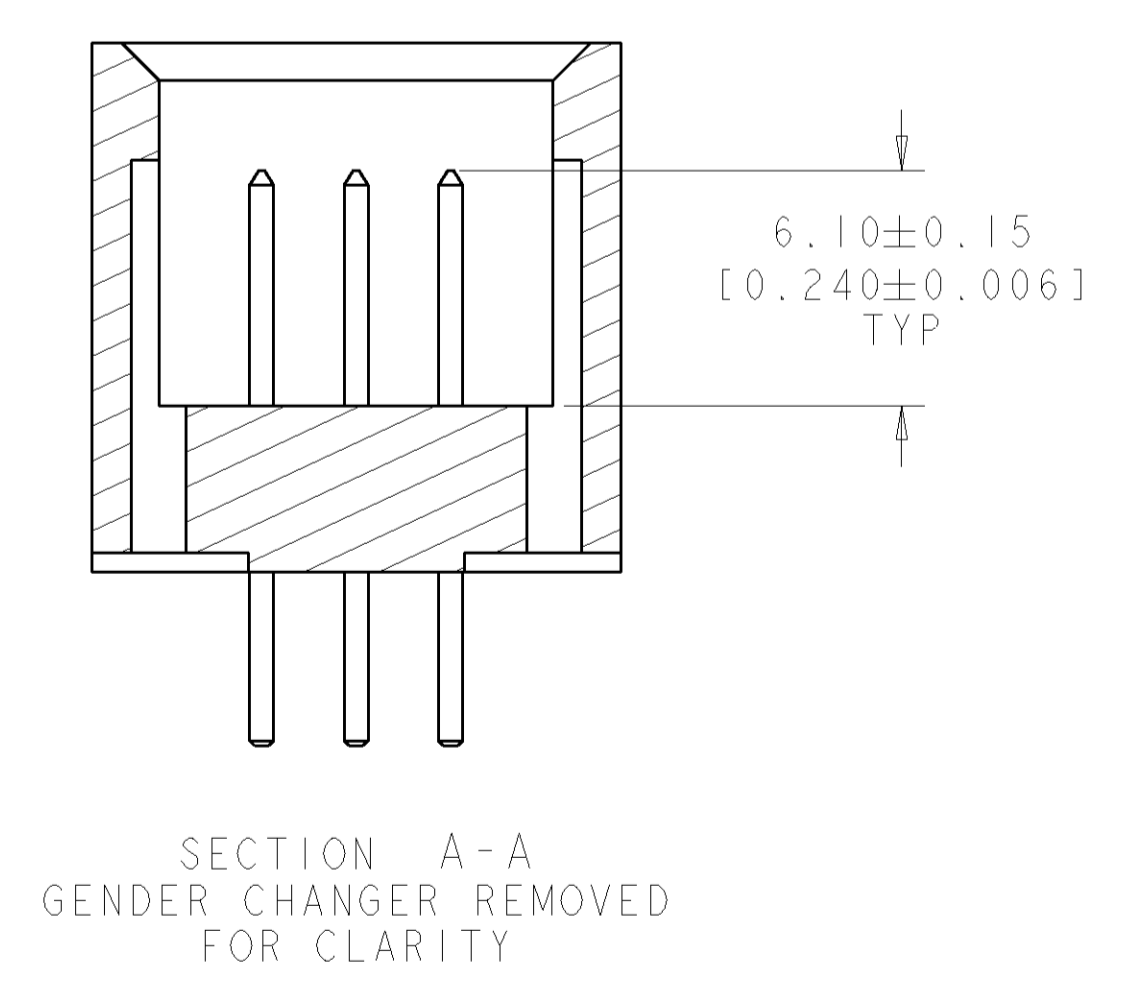
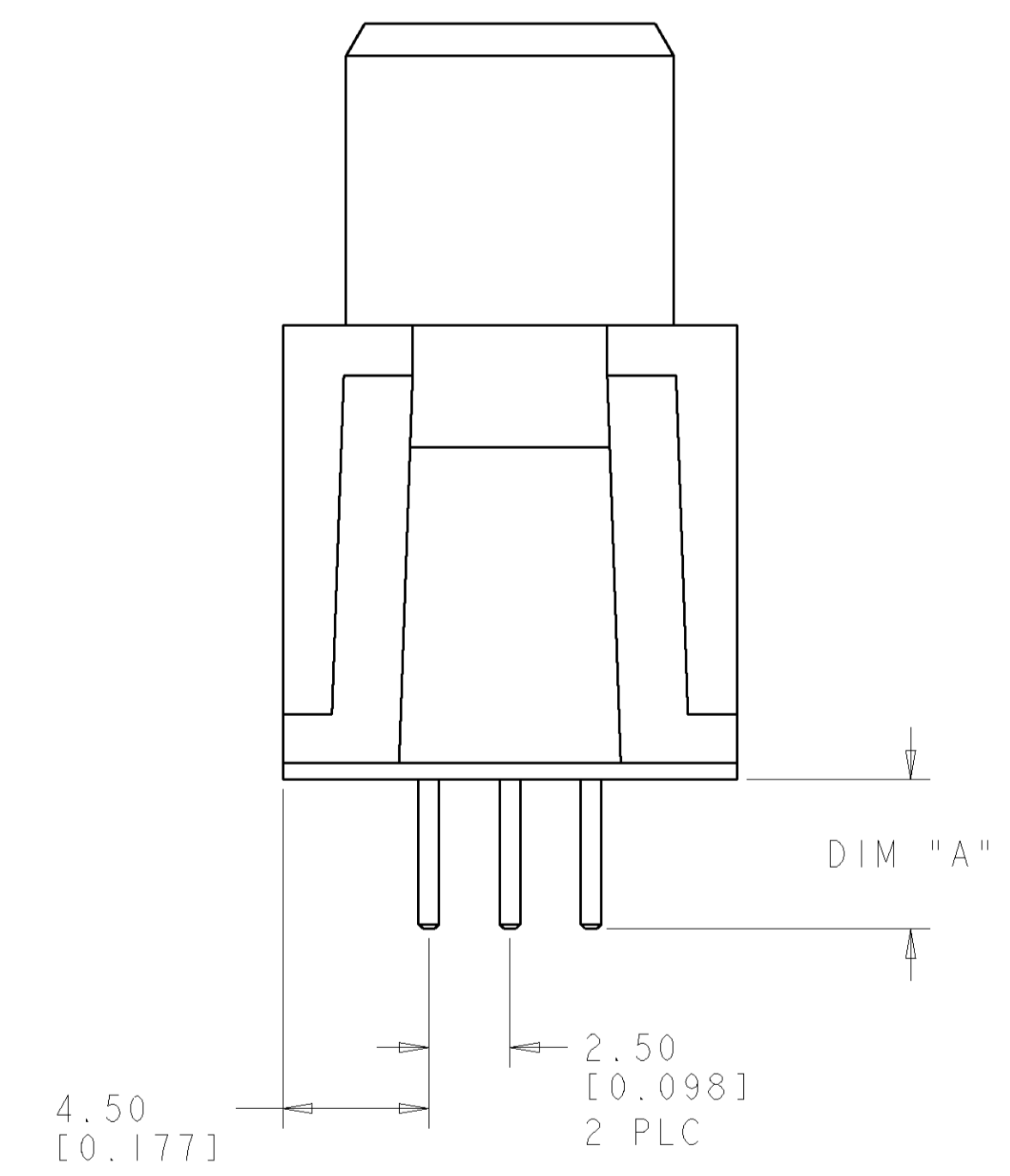
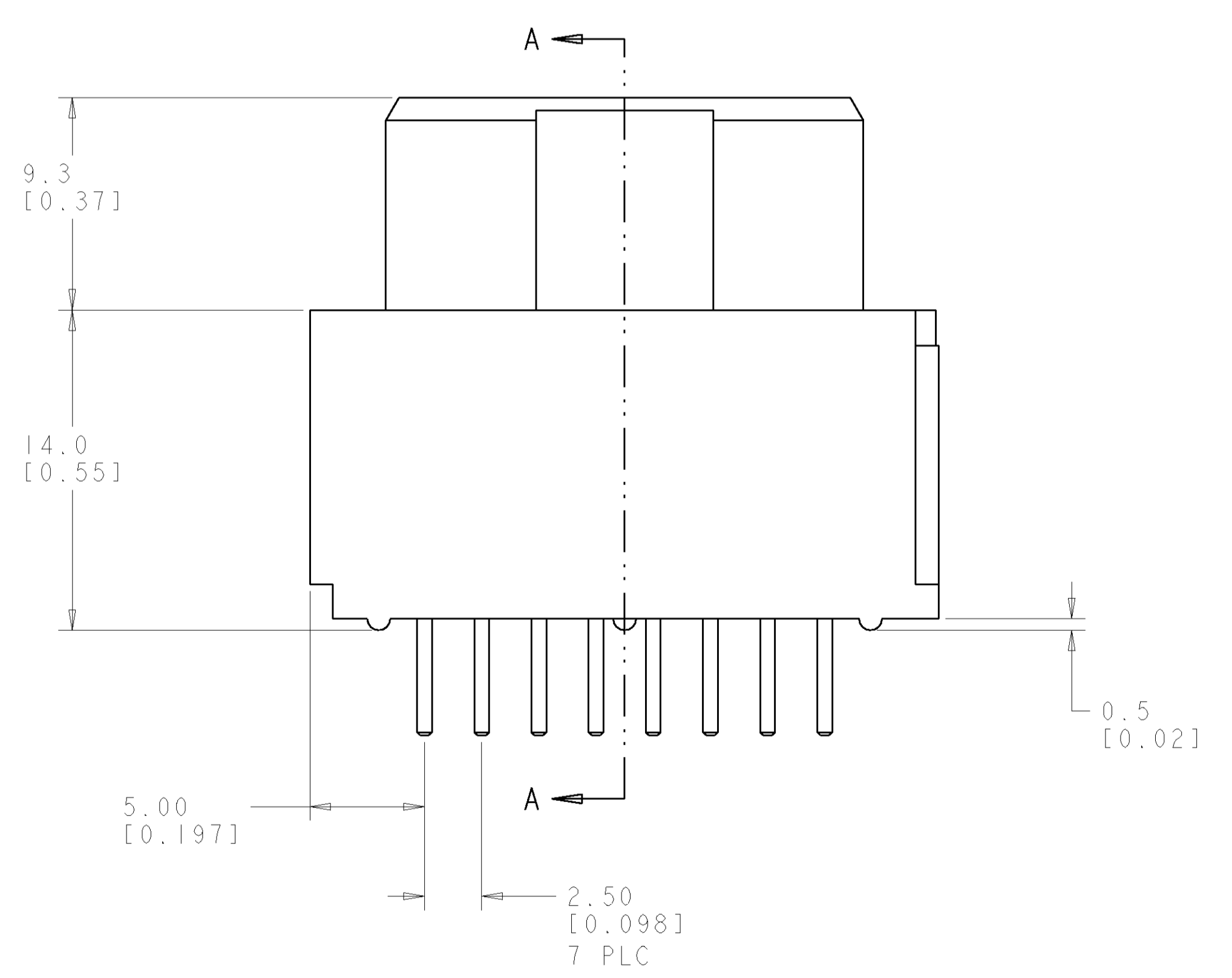
1. PART NUMBER CHANGES AND OR DESIGN CHANGES AFFECTING ITEM INTERCHANGEABILITY REQUIRE PRIOR TYCO ELECTRONICS APPROVAL AND AUTHORIZATION BY REVISION TO THIS DRAWING.

2 MATERIAL: INSULATORS - THERMOPLASTIC, GLASS REINFORCED, COLOR: BLACK, UL94V-0 FLAMMABILITY RATED. SOLDER SIGNAL PINS-BRASS ALLOY

3 FINISH: CONTACTS - GOLD PLATE .000030 INCH MIN. THK., OVER NICKEL .000050 INCH MIN. THK SOLDER TAILS, TIN .000120 INCH MIN. THK. OVER NICKEL .000050 MIN THK.

4 ITEMS PROVIDED TO THIS SPECIFICATION TO BE PERMANENTLY IDENTIFIED PER THE FOLLOWING IDENTIFIER LABEL

YEAR 1 WEEK 1
 TYCO ELECTRONICS PART NO. DATE CODE (e.g. 0106)
 XXXXXXXX-X XXXX

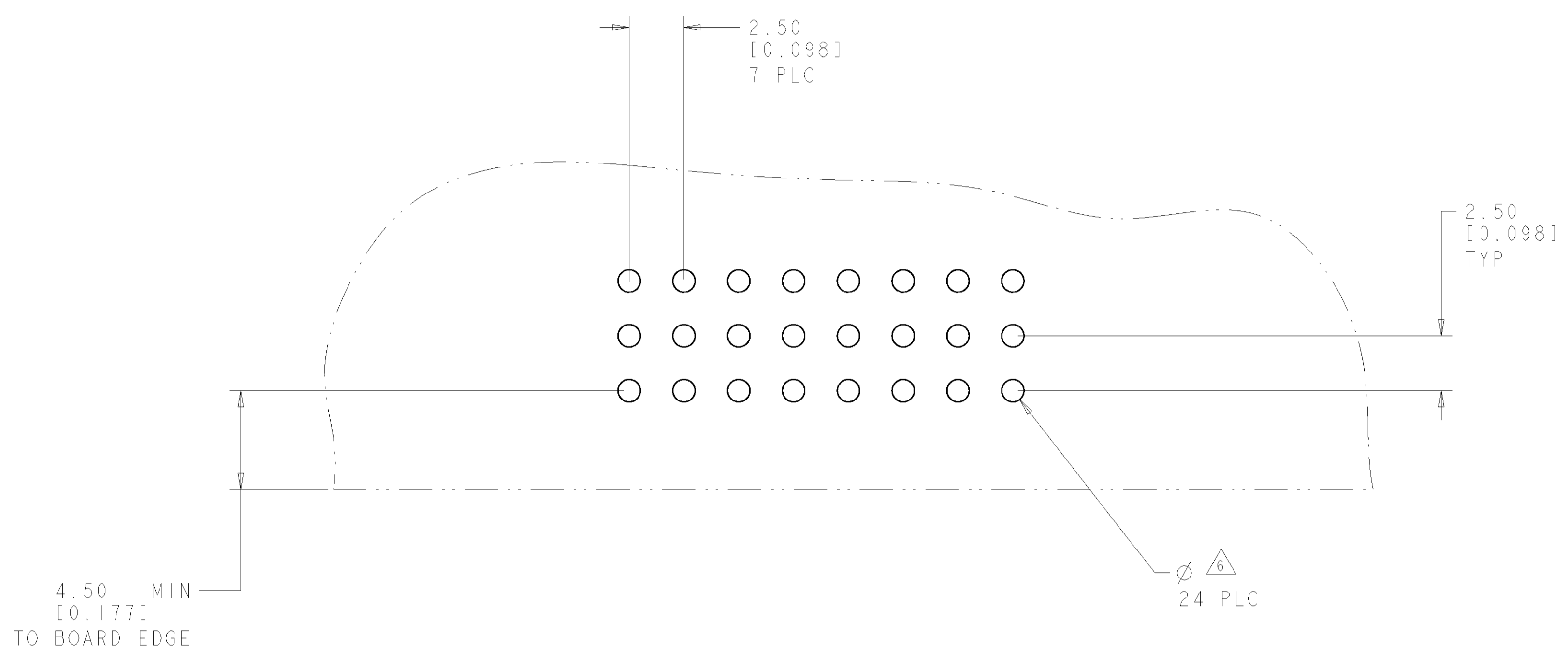


| | |
|-------------|-------------|
| 2.54 - 3.56 | 1926240-2 |
| 4.06 - 5.08 | 1926240-1 |
| DIM "A" | PART NUMBER |

ELCON FLATPAQ

| | | | |
|---|--|---|--|
| DIMENSIONS: mm [INCHES] TOLERANCES UNLESS OTHERWISE SPECIFIED: 0 PLC ±.3 1 PLC ±0.3 2 PLC ±0.15 3 PLC ±. 4 PLC ±. ANGLES ±.5 | | DWN: B. GRZYBOWSKI 10OCT06 CHK: D. ORRIS 10OCT06 APVD: S. FLICKINGER 10OCT06 PRODUCT SPEC: - APPLICATION SPEC: - WEIGHT: - CUSTOMER DRAWING | Tyco Electronics Harrisburg, PA 17105-3608 NAME: STRAIGHT SOCKET CONNECTOR SOLDER TAIL SIZE: A 00779 C=1926240 SCALE: 3:1 SHEET 1 OF 3 REV B |
|---|--|---|--|

| LOC | DIST | REVISIONS | | | |
|-----|------|-------------|------|-----|------|
| P | LTR | DESCRIPTION | DATE | DWN | APVD |
| - | - | SEE SHEET 1 | - | - | - |
| | | | | | |
| | | | | | |



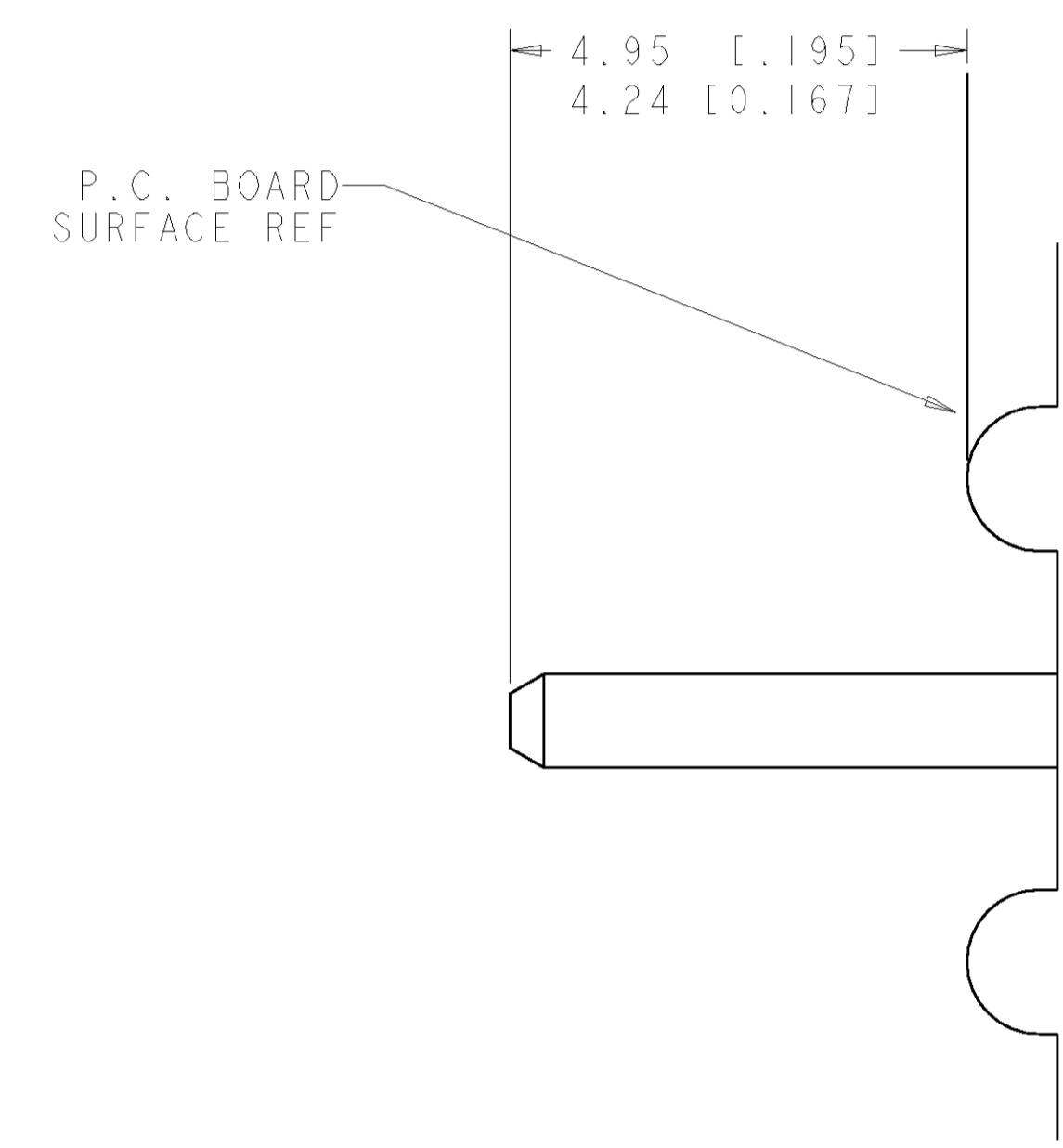
PRINTED CIRCUIT LAYOUT
 COMPONENT SIDE

| CONNECTOR | EQUIVALENT CATALOG MODULE # | MODULE QTY | CONTACT QTY | SIZE NO. | MATING PIN | MAX. CURRENT (PER CONTACT) | CONTACT SPACING | VOLTAGE RATING |
|-----------|-----------------------------|------------|-------------|----------|----------------|----------------------------|-----------------|----------------|
| SOCKET | FP301 | 1 | 24 | 22 | .64 [.025] SQ. | 3 amps | 2.50 [.0984] | 125 VOLTS |

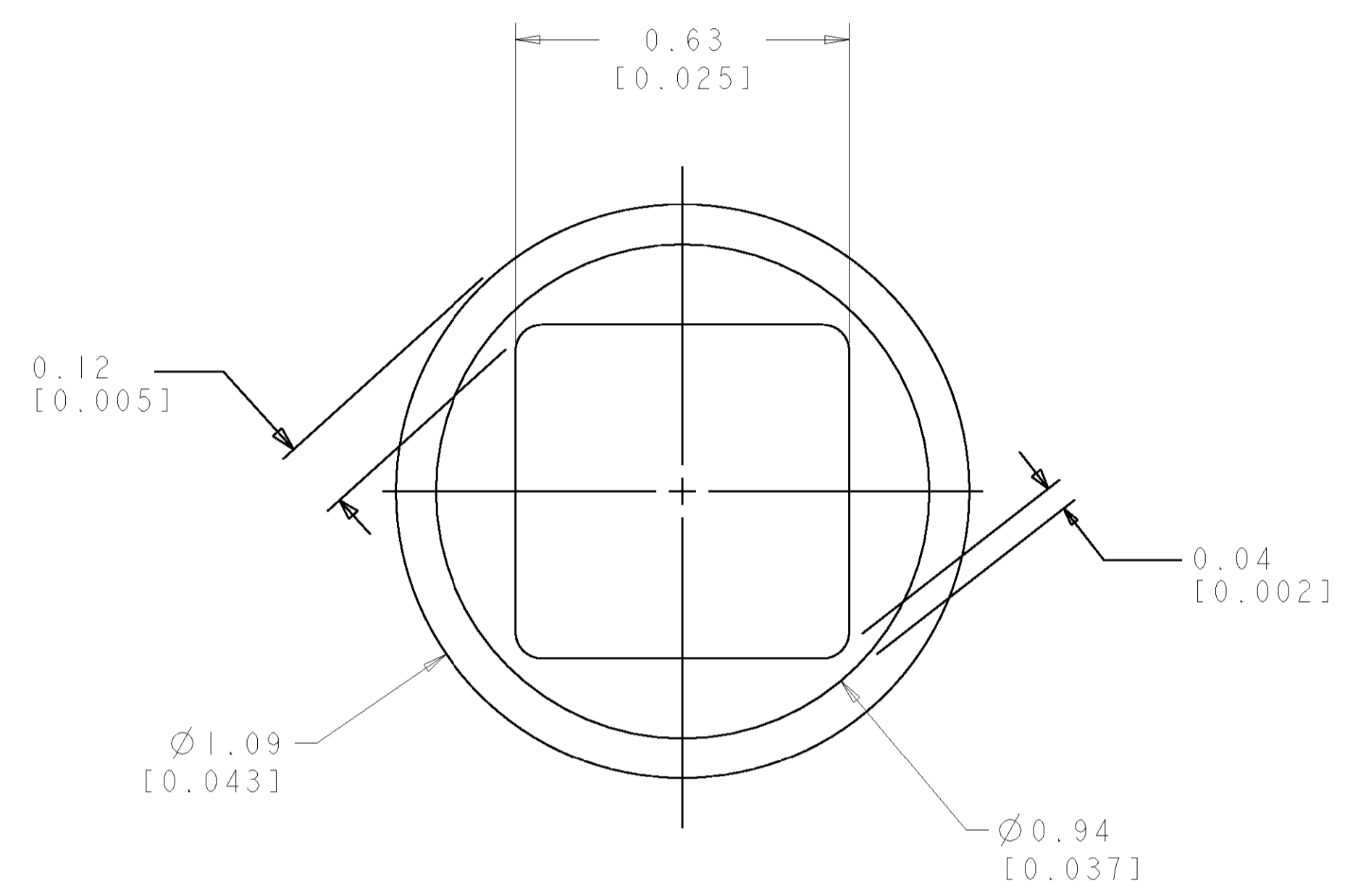
| | | | |
|---|--|--|--|
| <small>THE DIMENSIONS OF CONNECTED SOCKETS FROM THIS DRAWING ARE SUBJECT TO CHANGE AND THE CUSTOMER'S ORGANIZATION SHOULD BE CONTACTED FOR THE LATEST POSITION.</small> | | DWN: B. GRZYBOWSKI 10OCT06 CHK: D. ORRIS 10OCT06 APVD: S. FLICKINGER 10OCT06 | Tyco Electronics Harrisburg, PA 17105-3608 |
| DIMENSIONS: mm [INCHES] | TOLERANCES UNLESS OTHERWISE SPECIFIED: 0 PLC ± 1 PLC ±0.3 2 PLC ±0.15 3 PLC ± 4 PLC ± ANGLES ± 5 | NAME: STRAIGHT SOCKET CONNECTOR SOLDER TAIL PRODUCT SPEC: APPLICATION SPEC: WEIGHT: CUSTOMER DRAWING | SIZE: A 00779 C=1926240 SCALE: 3:1 SHEET: 2 OF 3 REV: B |

ELCON FLATPAQ

| LOC | DIST | REVISIONS | | | |
|-----|------|-------------|------|-----|------|
| P | LTR | DESCRIPTION | DATE | DWN | APVD |
| - | - | SEE SHEET 1 | - | - | - |
| | | | | | |
| | | | | | |



5. SOLDER TAIL
SCALE 10:1



6. SOLDER TERMINATION AREA
 SCALE 40:1
 RECOMMENDED PRINTED CIRCUIT SOLDER HOLE
 FINISHED HOLE: Ø1.02 [.040] ±.08 [.003]
 DRILLED HOLE: Ø1.15 [.0453] ±.013 [.0005]
 COPPER PLATE: .025 [.0010] MIN
 TIN PLATE: .008 [.0003] MIN. (PER SURFACE)

ELCON FLATPAQ

| | | | |
|--|--|--|--|
| <small>THIS DRAWING IS UNPUBLISHED. RELEASED FOR PUBLICATION BY TYCO ELECTRONICS CORPORATION. ALL RIGHTS RESERVED.</small> | | DWN: B. GRZYBOWSKI 10OCT06 ENR: D. ORRIS 10OCT06 APVD: S. FLICKINGER 10OCT06 | Tyco Electronics Harrisburg, PA 17105-3608 |
| DIMENSIONS: mm [INCHES] | TOLERANCES UNLESS OTHERWISE SPECIFIED: 0 PLC ± 1 PLC ±0.3 2 PLC ±0.15 3 PLC ± 4 PLC ± ANGLES ±.5 | NAME: STRAIGHT SOCKET CONNECTOR SOLDER TAIL PRODUCT SPEC: APPLICATION SPEC: | SIZE: A 00779 C=1926240 SCALE: 3:1 SHEET 3 OF 3 REV B |
| MATERIAL: - | FINISH: - | WEIGHT: - | CUSTOMER DRAWING |

单击下面可查看定价，库存，交付和生命周期等信息

[>>TE Connectivity\(泰科\)](#)