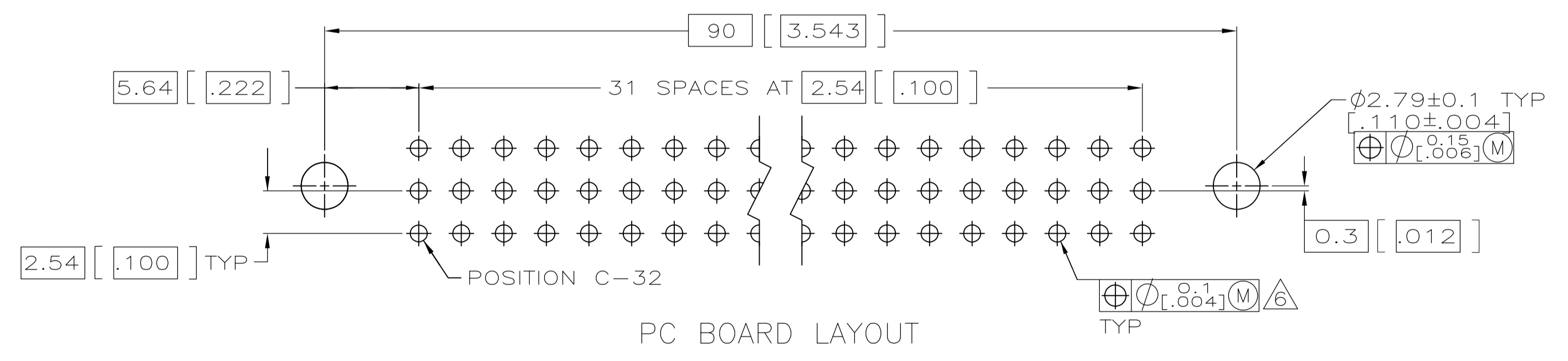
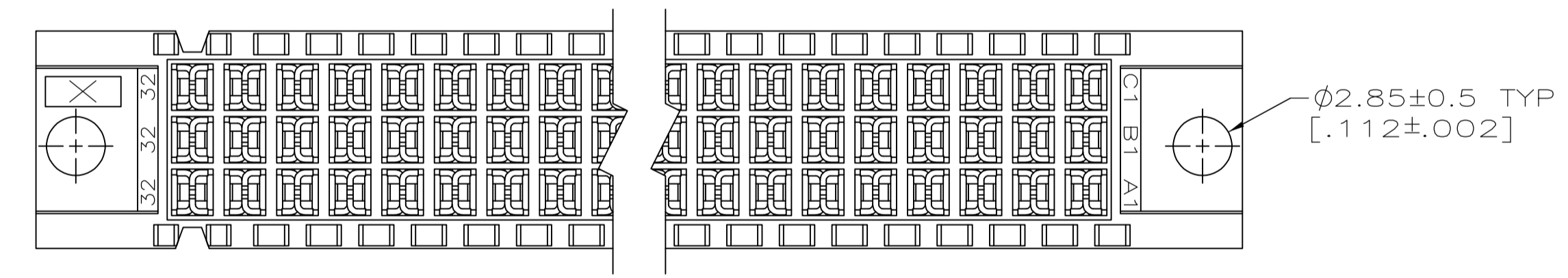
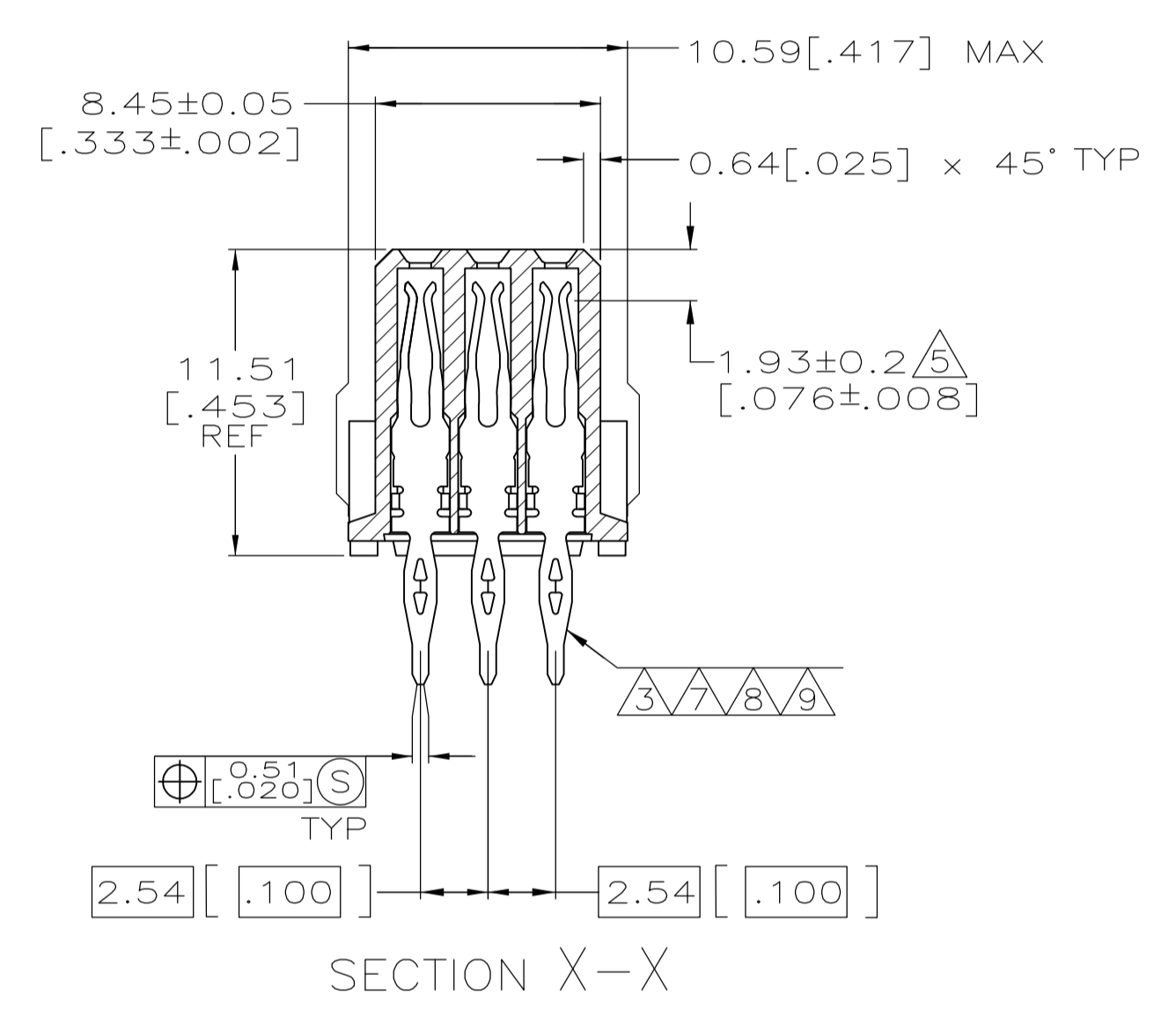
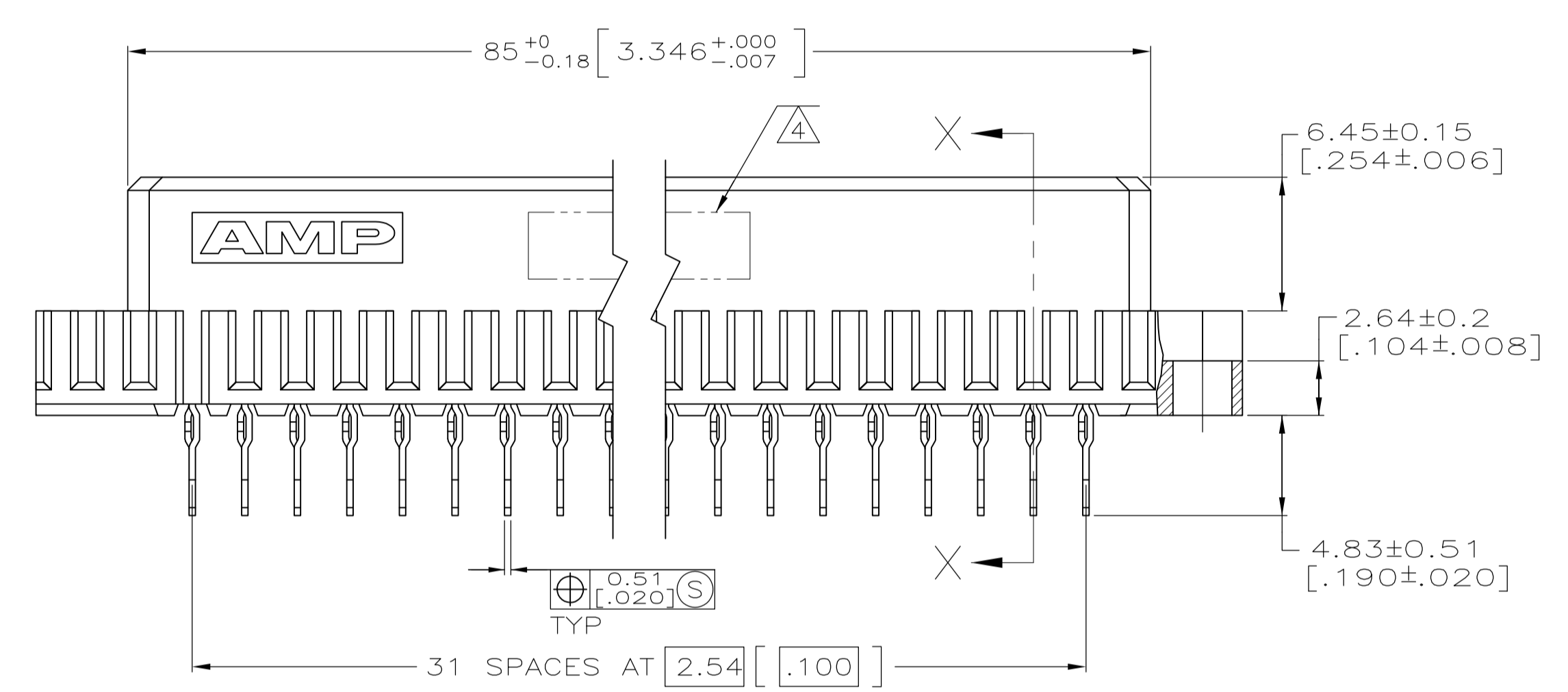
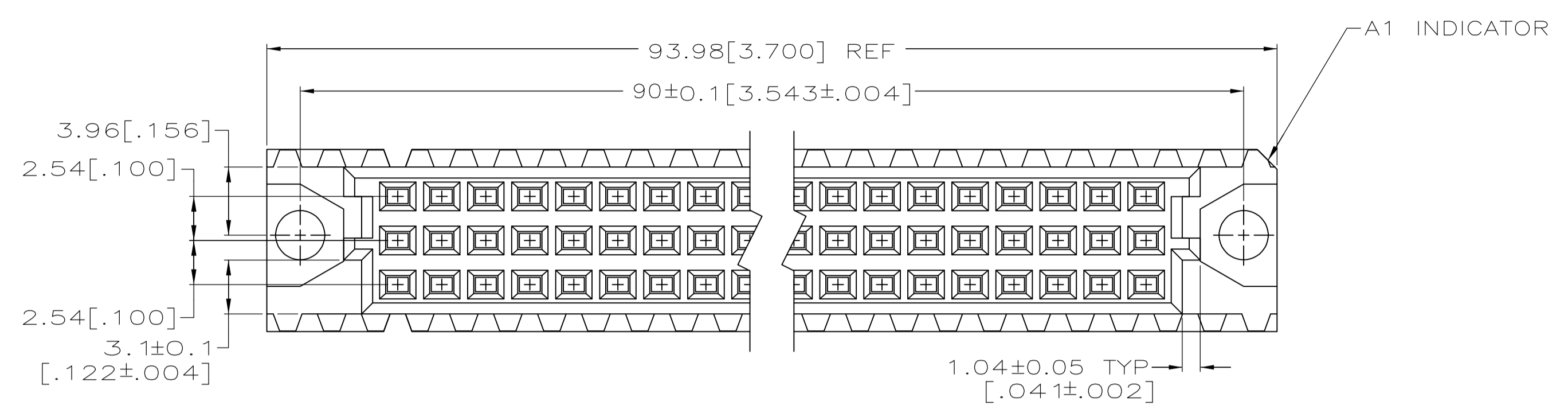


- 1 HOUSING MATERIAL: GLASS-FILLED POLYESTER. COLOR: GRAY.
- 2 CONTACT MATERIAL: PHOSPHOR BRONZE.
- 3 CONTACT FINISH: DIN 41612 CLASS 2 IN CONTACT AREA. TIN ON POSTS.
- 4 PART NUMBER, DATE CODE IDENTIFICATION, CSA LOGO IN THIS APPROXIMATE AREA.
- 5 POINT OF MEASUREMENT FOR GOLD.
- 6 ACTION PIN POSTS REQUIRE 1.57[.062] MINIMUM THICK PC BOARD. RECOMMENDED PC BOARD HOLES ARE  $\phi 1.151 \pm 0.02$  [.0453  $\pm$  .001] DRILLED HOLE WITH 0.02-0.07 [.001-.003] COPPER AND 0.008 [.0003] MINIMUM TIN-LEAD PLATING. FINISHED HOLE AFTER PLATING,  $\phi 0.94-1.09$  [.037-.043].
- 7 CONTACT FINISH: 0.00127 [.000050] GOLD IN CONTACT AREA. 0.00127 [.000050] NICKEL UNDERPLATE ALL OVER. TIN-LEAD ON POSTS.
- 8 CONTACT FINISH: DIN 41612 CLASS 3 IN CONTACT AREA. TIN-LEAD ON POSTS.
- 9 CONTACT FINISH: DIN 41612 CLASS 2 IN CONTACT AREA. TIN-LEAD ON POSTS.



SUPERSEDED BY: 5535032-4	3	1 THRU 32	X	X	X	96	7-535032-4
	8	1 THRU 32	X	X	X	96	535032-9
	9	1 THRU 32	X	X	X	96	535032-5
	9	1 THRU 32	X	X	X	96	535032-4
	7	1 THRU 32	X	X	X	96	535032-1
NOTES	POSITIONS LOADED	C	B	A	NO. OF LOADED POSITION	ASSY PART NUMBER	

THIS DRAWING IS A CONTROLLED DOCUMENT.		DIN L. BRINER 12/6/88	STE TE Connectivity	
DIMENSIONS: mm [INCHES]		CHK: J. BROWN 2/27/89	NAME: ASSEMBLY, RECEPTACLE, EUROCARD, TOOLLESS PRESSFIT, 96 POSITION	
TOLERANCES UNLESS OTHERWISE SPECIFIED:		PRODUCT SPEC	SIZE: A1	
0 PLC $\pm$ -	1 PLC $\pm$ -	APPLICATION SPEC	CAGE CODE: 00779	DRAWING NO: 535032
2 PLC $\pm$ 0.13 [.005]	3 PLC $\pm$ -	WEIGHT	SCALE: 4:1	SHEET: 1 of 1
4 PLC $\pm$ -	ANGLES $\pm$ -	CUSTOMER DRAWING	REV: R1	

单击下面可查看定价，库存，交付和生命周期等信息

[>>TE Connectivity\(泰科\)](#)