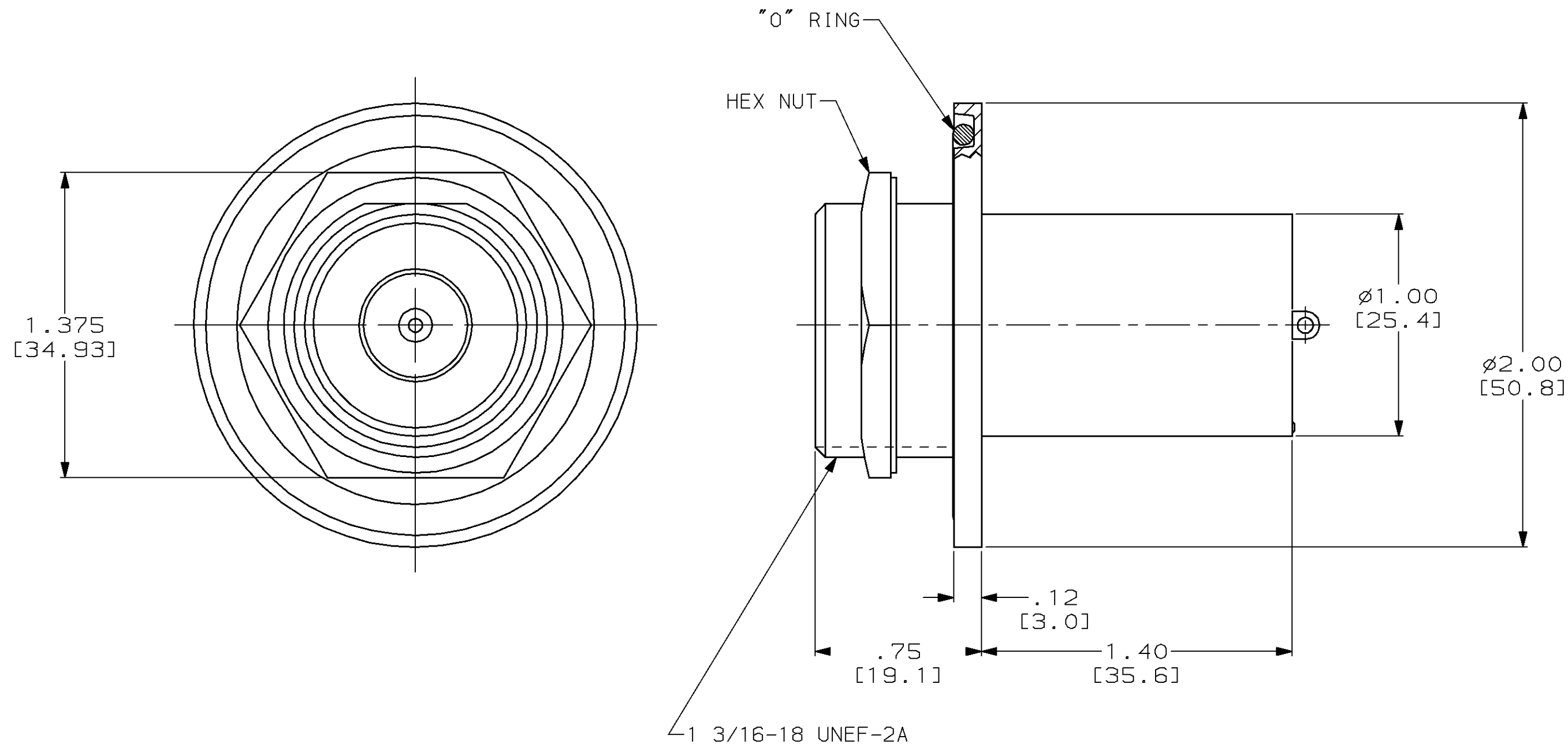


THIS DRAWING IS UNPUBLISHED. RELEASED FOR PUBLICATION
 BY AMP INCORPORATED. ALL RIGHTS RESERVED.

Loc		DIST		REVISIONS			
P	LTR	DESCRIPTION	DATE	DWN	APVD		
DF	SO	A	REV PER 0600-6359-97	10-15-97	TT	SG	

1. THIS RECEPTACLE IS HERMETICALLY SEALED.
2. THIS RECEPTACLE MATES WITH LEAD NO 863124.
3. RECOMMENDED MAX PANEL THICKNESS IS .175.



863125-1
 PART NUMBER

THIS DRAWING IS A CONTROLLED DOCUMENT.		DWN T. THOMPSON	10-15-97	AMP Incorporated Harrisburg, PA 17105-3608	
DIMENSIONS: IN [MM]		CHK S. GLATFELTER	01-28-98	NAME S. GLATFELTER	
TOLERANCES UNLESS OTHERWISE SPECIFIED:		APVD S. GLATFELTER	01-28-98	PRODUCT SPEC	
0 PLC ±-		APPLICATION SPEC		RECEPTACLE, VERSATILE RUGGEDIZED, LGH-4	
1 PLC ±-		WEIGHT		SIZE CAGE CODE DRAWING NO RESTRICTED TO	
2 PLC ±.02 [0.51]		MATERIAL		A2 00779 C-863125	
3 PLC ±.005 [0.13]		FINISH		SCALE 2:1 SHEET 1 OF 1 REV A	
4 PLC ±-		CUSTOMER DRAWING			
ANGLES ±-					

单击下面可查看定价，库存，交付和生命周期等信息

[>>TE Connectivity\(泰科\)](#)