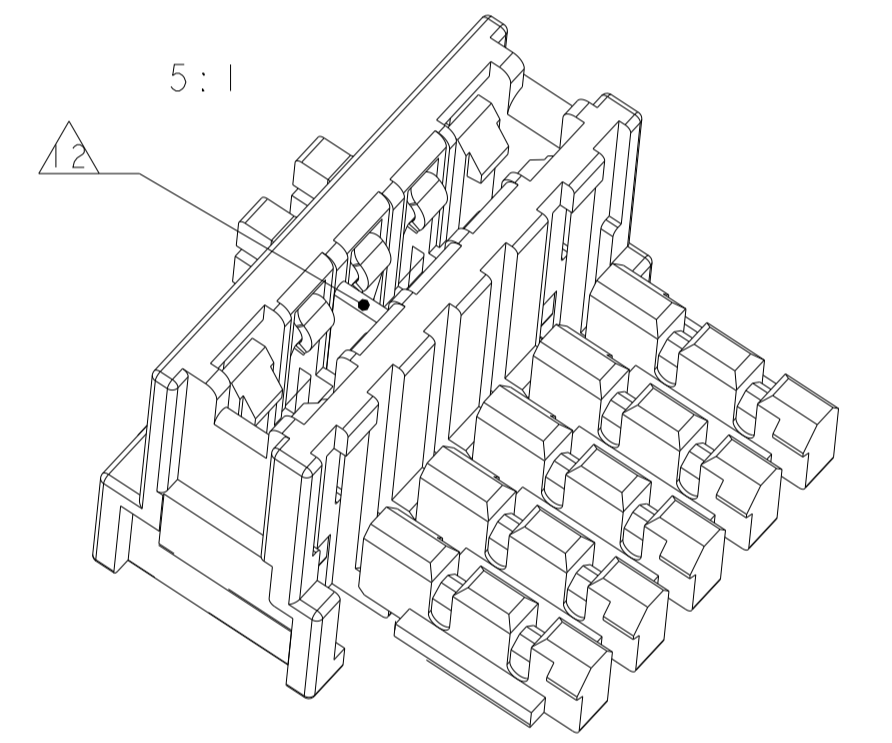
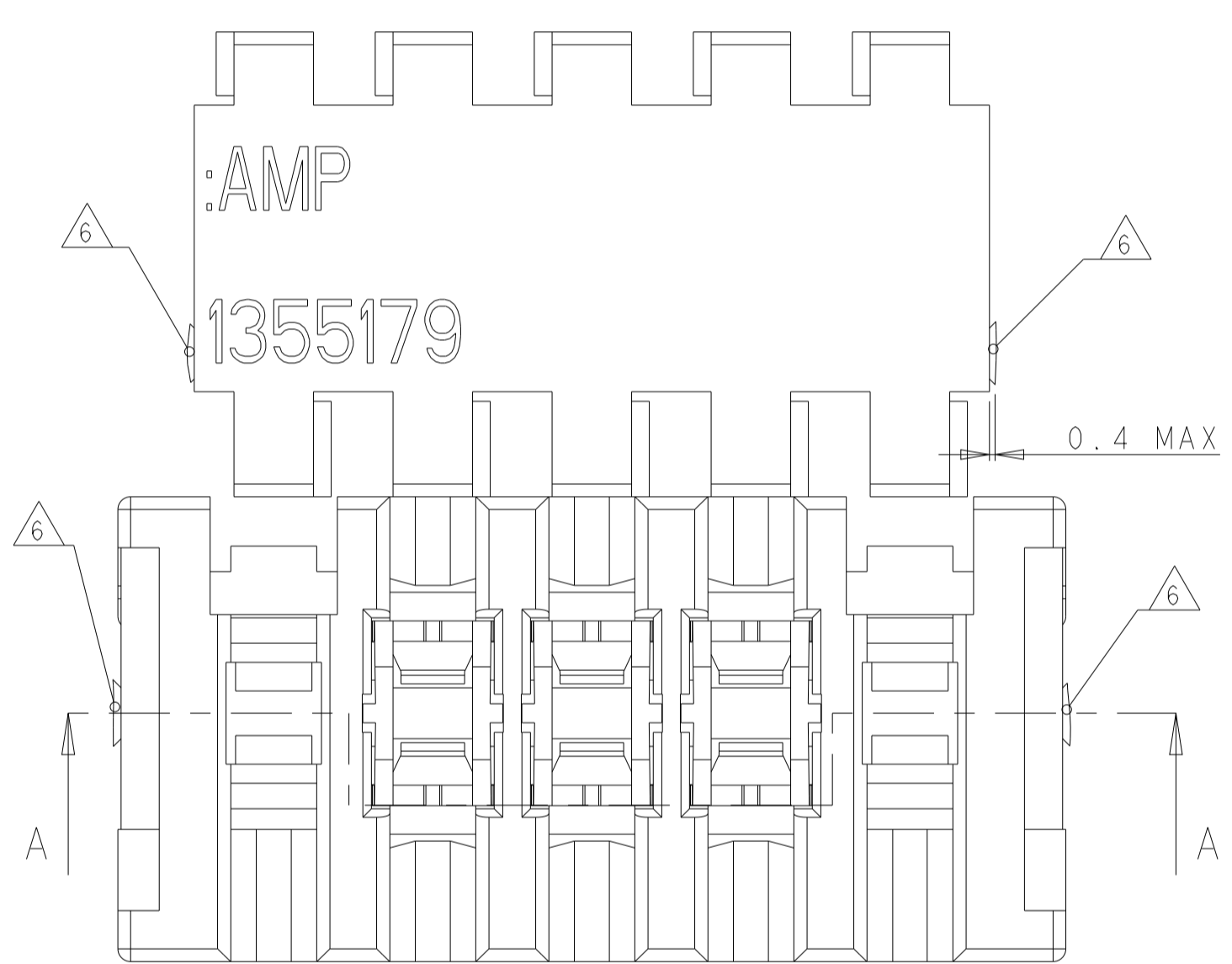
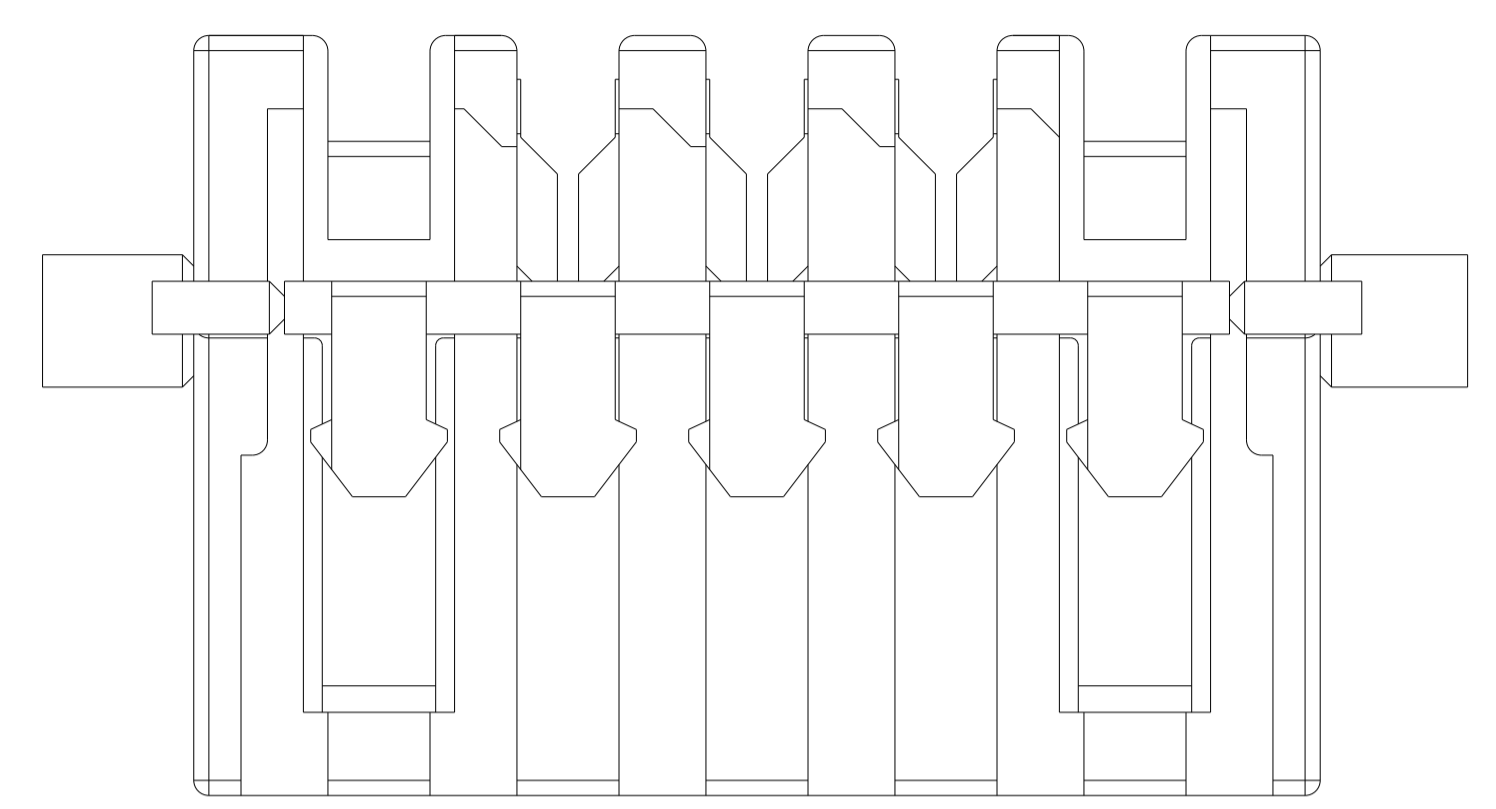
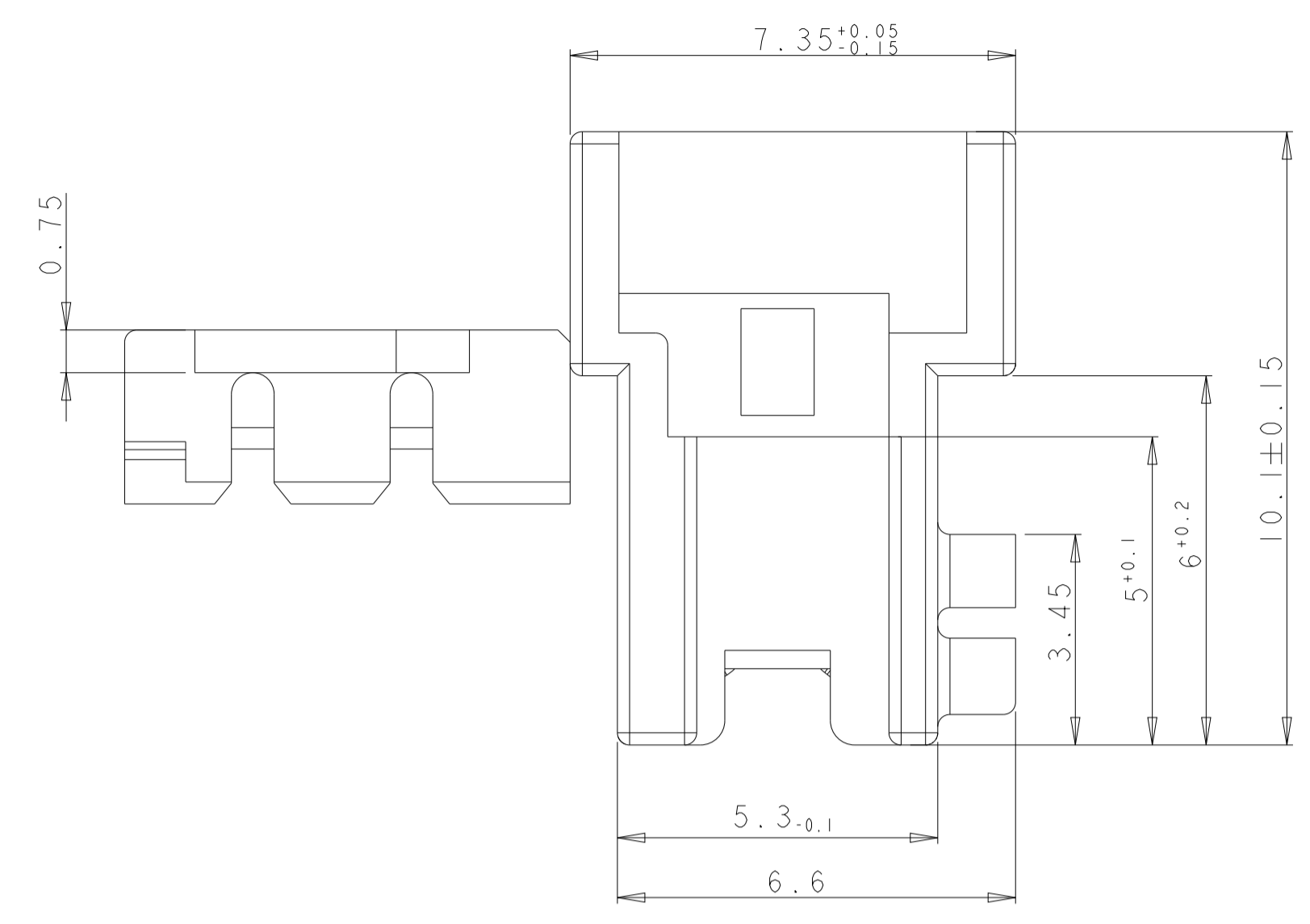
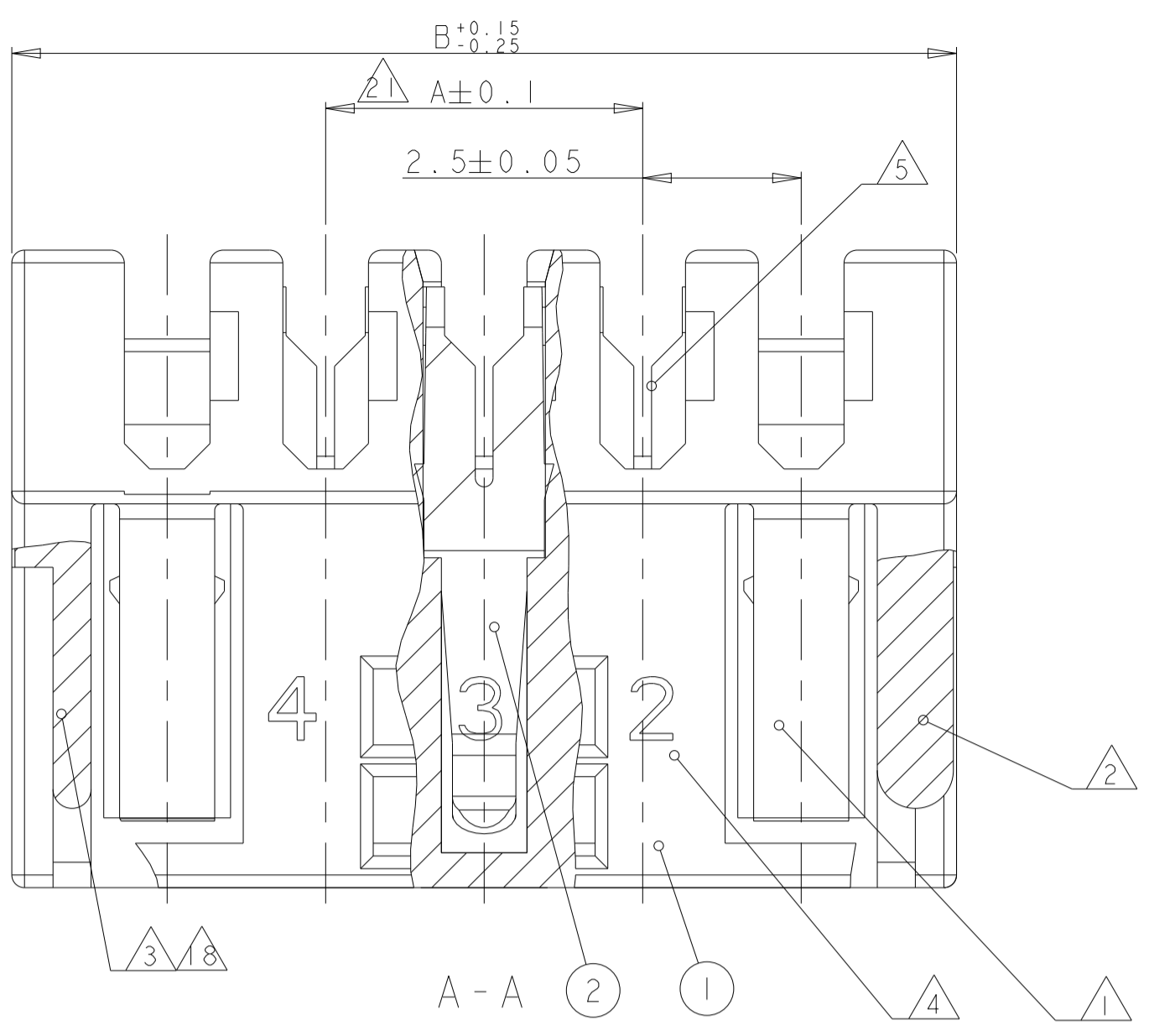


REVISIONS				
P	LTN	DESCRIPTION	DATE	APVD
C7		REVISED PER ECR-18-016904	05NOV2018	BDA DC
C8		REVISED PER ECR-19-007333	09MAY2019	MG FL
D		REVISED PER ECR-19-015555	04NOV2019	KD FL
D1		ECR-21-121338	24NOV2021	DC FL

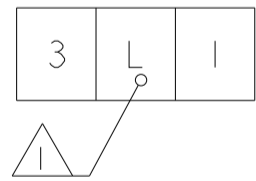


- △2 ALTERNATIVE RESIN PBT GF
- △2 DIMENSION A BETWEEN FIRST AND LAST CONTACT
- △20 PBT GF, UL94-V0 & GWEPT 750 NO-FLAME
- △19 PBT GF
- △18 ONLY FOR 3-1355181-2 & 2311512-2, REMOVED THE POLARIZATION RIB ON THE LAST CAVITY
- △1 PRELIMINARY - NOT RELEASED FOR PRODUCTION
- △6 OBSOLETE PARTS: OBSOLETE CIS STREAMLINING PER D.RENAUD/D.SINISI
- △19 DIMENSION OF THE PADS ON BOTH SIDES OF THE SLOT (NOTE 13), MIRRORED Leiterbahnabmessung beidseitig vom Schlitz (Note 13), spiegelbildlich
- 14 DIMENSION IN BRACKET ONLY USED WITH AMP DUOPLUG 2.5 mm FEMALE CONNECTOR. Masse in Klammer nur geeignet fuer AMP DUOPLUG 2.5 mm Federleisten.
- △3 SLOT FOR ADDITIONAL KEYING RIB Schlitz fuer zusaetzliche Kodierrippe
- △14 ADDITIONAL KEYING RIB BETWEEN CAVITY NO. Zusaetzliche Kodierrippe zwischen Kammer Nr.
- △1 REDUCTION OF PAD WIDTH OF ALL PADS AS SHOWN IS POSSIBLE. Verjuengung aller Leiterbahnen wie dargestellt moeglich.
- △10 INCLUSIVE COPPER CLADDING: Inclusive Kupferkaschierung:
- △9 PCB PREFERABLY CHAMFERED. Leiterplatte vorzugsweise angefast.
- △8 SLOT FOR KEYING RIB. Schlitz fuer Kodierrippe.
- △7 SLOT FOR POLARIZATION RIB. Schlitz fuer Polarisierungsrippe.
- △6 CUTTING AREAR FROM PRODUCING PROCESS. Schnittbereich durch Herstellungsprozess.
- △5 SLOT ACCEPT STRANDED WIRE 7x0.25mm=0.35mm². SEE APPLICATION SPECIFICATION 114-18049. Schlitz geeignet fuer Leitungen 7x0.25mm=0.35mm². Siehe Verarbeitungsanweisung 114-18049.
- △4 CAVITY NO. Kammer Nr.
- △3 POLARIZATION RIB Polarisierungsrippe
- △2 KEYING RIB Kodierrippe
- △1 LOCKING LATCH BEFORE FIRST AND AFTER LAST CAVITY (3-18 POSN.) AND ON MIDDLE CAVITY (2POSN. ONLY) Rasthaken vor 1. Kammer und nach letzter Kammer(3-18 polig) und bei mittlerer Kammer (nur 2 polig)

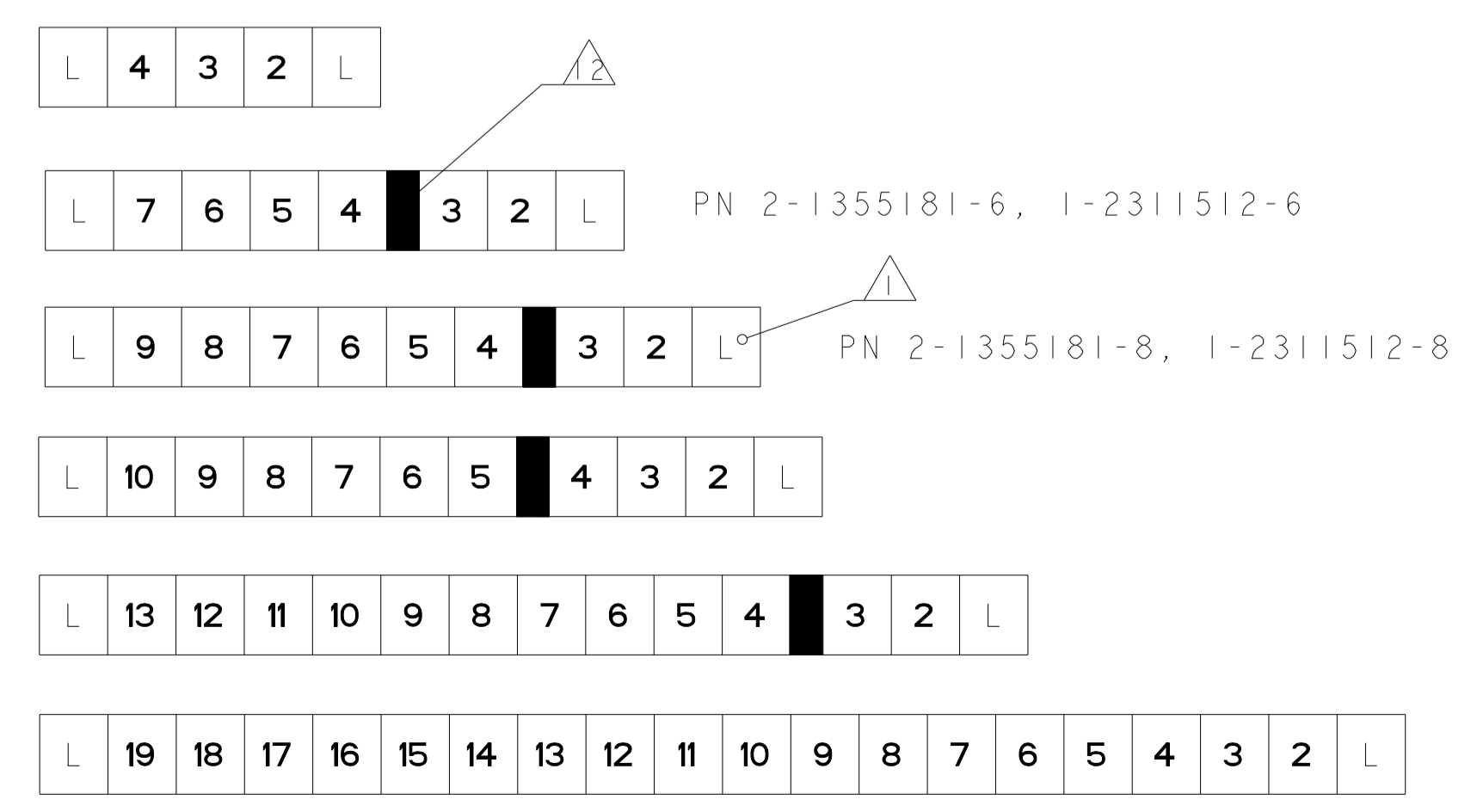
LOCKING AND KEYING PLAN
Rasthaken und Kodierschema

SPECIAL VERSION 2 POSN.
Sondervariante 2 pol.

PN 1-355181-2
1-2311512-2



Variante
3 pol. - 18 pol.



POS. Polzahl	DIM A Mass A	DIM B Mass B	KEYING Kodierung	PART NUMBER	PART NUMBER	PART NUMBER
OBSOLETE 18	42.5	52.4	-	1-1355182-8	-	-
OBSOLETE 17	40	49.9	-	1-1355182-7	-	-
OBSOLETE 16	37.5	47.4	-	1-1355182-6	-	-
OBSOLETE 15	35	44.9	-	1-1355182-5	-	-
OBSOLETE 14	32.5	42.4	-	1-1355182-4	-	-
OBSOLETE 13	30	39.9	-	1-1355182-3	-	-
OBSOLETE 12	27.5	37.4	3+4	2-1355182-2	2311513-2	-
OBSOLETE 11	25	34.9	-	1-1355182-1	-	-
OBSOLETE 10	22.5	32.4	-	1-1355181-0	1-2311512-0	1-2403116-0 △1
OBSOLETE 9	20	29.9	4+5	2-1355181-9	-	-
8	17.5	27.4	-	1-1355181-9	2311512-9	1-2403116-9 △1
8	17.5	27.4	3+4	2-1355181-8	1-2311512-8	2-2403116-8 △1
7	15	24.9	-	1-1355181-8	2311512-8	1-2403116-8 △1
7	15	24.9	-	1-1355181-7	2311512-7	1-2403116-7 △1
6	12.5	22.4	3+4	2-1355181-6	1-2311512-6	2-2403116-6 △1
6	12.5	22.4	-	1-1355181-6	2311512-6	1-2403116-6 △1
5	10	19.9	-	1-1355181-5	2311512-5	1-2403116-5 △1
4	7.5	17.4	-	1-1355181-4	2311512-4	1-2403116-4 △1
4	7.5	17.4	-	1-1355181-3	2311512-3	1-2403116-3 △1
3	5	14.9	-	1-1355181-2	2311512-2	1-2403116-2 △1
2	5	9.9	-	3-1355181-2	2311512-2	3-2403116-2 △1
2	5	9.9	-	1-1355181-2	1-2311512-2	1-2403116-2 △1

SEE TABLE	2	CONTACT/Kontakt	CuSn	TINNED/vorverzinnt
Siehe Tabelle	1	HOUSING/Federleistengehaeuse	PBT	NATUR
PN Bestell-Nr.	POS.	NAME	MATERIAL	FINISH/Oberflaeche
				COLOR/Farbe

单击下面可查看定价，库存，交付和生命周期等信息

[>>TE Connectivity\(泰科\)](#)