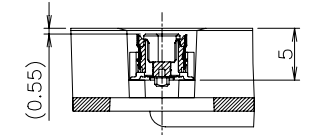
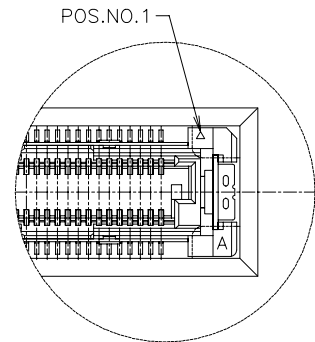
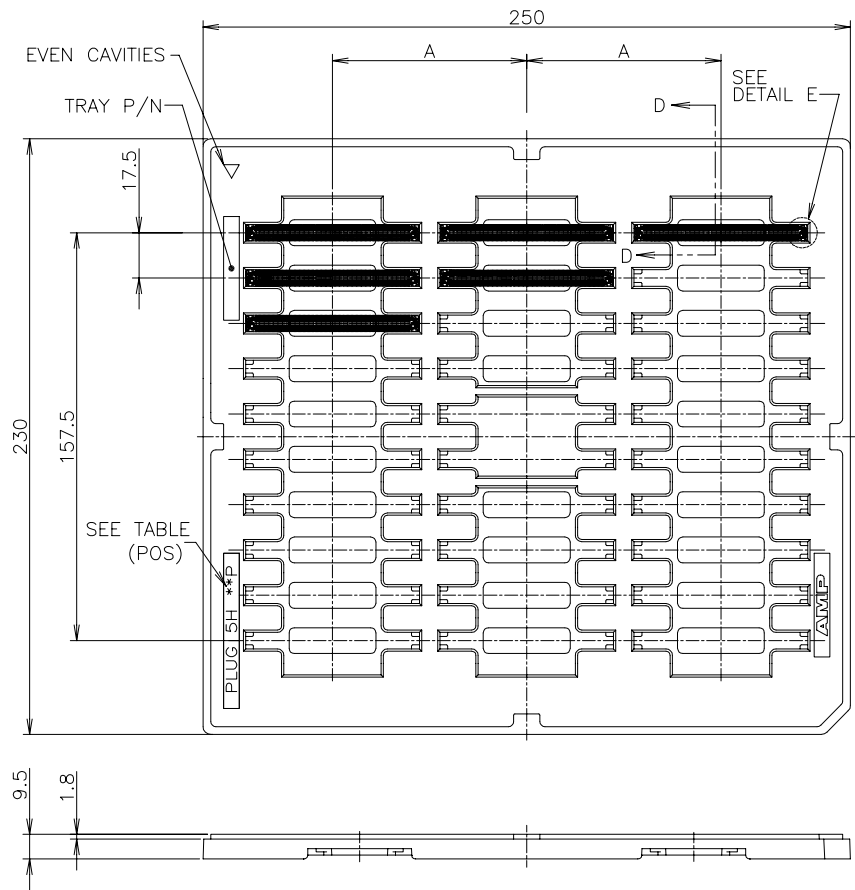


REVISIONS

P	LTR	DESCRIPTION	DATE	DWN	APVD
D2		ECN-21-114380:ADD MATED CONDITION	31AUG2021	A.L	H.L



**WITHOUT  
CAP**

THIS DRAWING IS A CONTROLLED DOCUMENT.

DIMENSIONS: MM	TOLERANCES UNLESS OTHERWISE SPECIFIED:
	0 PLC ± 0.25
	1 PLC ± 0.15
	2 PLC ± 0.10
	3 PLC ± 0.05
	4 PLC ± 0.0250
	ANGLES ± 3'
MATERIAL	FINISH

DWN S. CHIEN 18MAY05	NAME
CHK T. FUTATSUGI 18MAY05	
APVD W. KODAMA 18MAY05	DRAWING NO
PRODUCT SPEC 108-5560	
APPLICATION SPEC	RESTRICTED TO
WEIGHT	
CUSTOMER DRAWING	

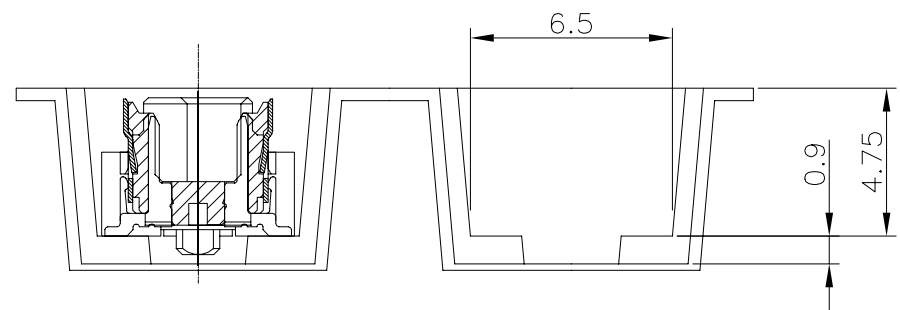
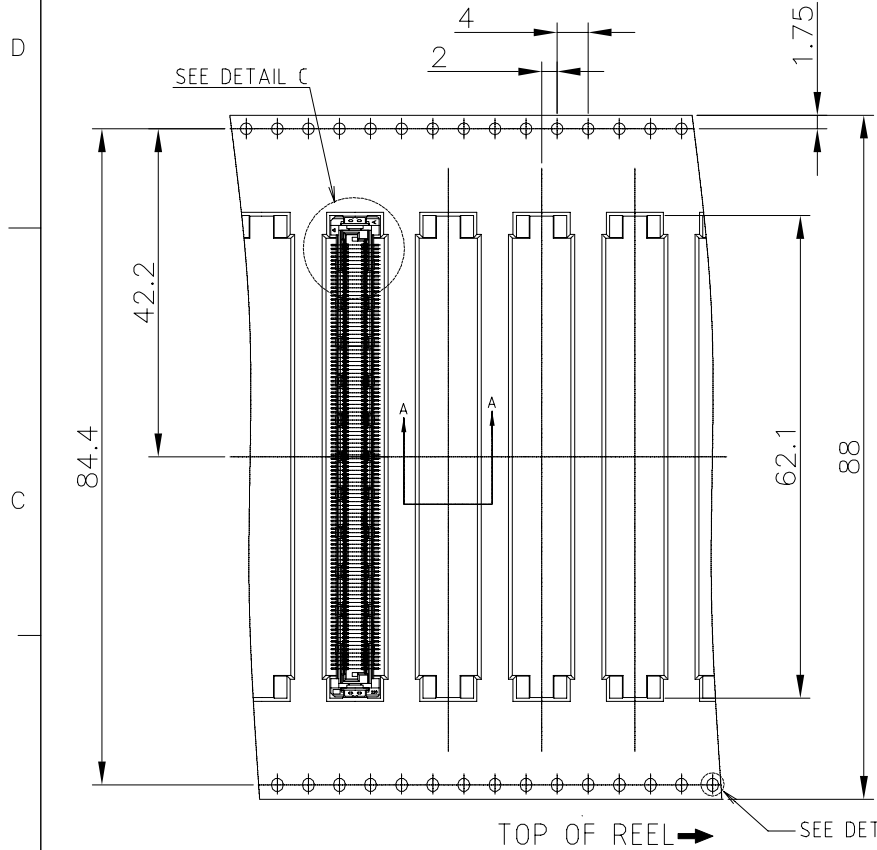
	NO	3	30	75	220	9-1827253-6
	NO	3	30	75	220	3-1827253-6
FINISH	SEALANT	ROW	QTY	A	POS.	PART NO.

**TE** TE Connectivity Ltd.

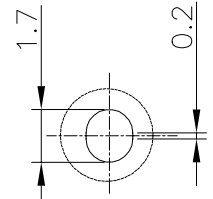
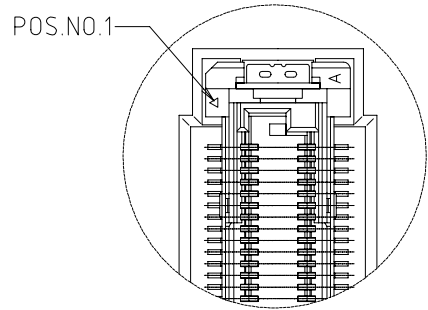
HARD TRAY PACKAGING  
FH 0.5 BTB CONNECTOR 220POS  
PLUG 5H WITH GROUND PLATE

SIZE A3	CAGE CODE 00779	DRAWING NO G=1827253	RESTRICTED TO
SCALE 1:2	SHEET 1 OF 5	REV D2	

REVISIONS						
P	LTR	DESCRIPTION	DATE	DWN	APVD	
-	-	SEE SHEET 1	-	-	-	-



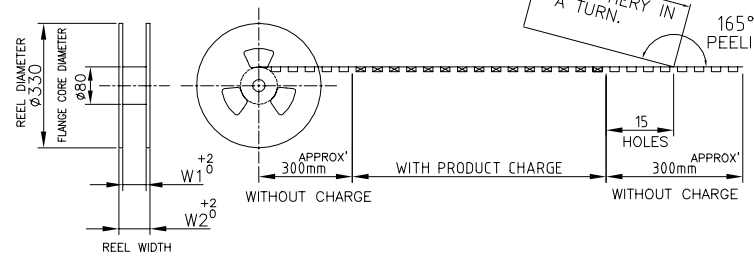
SECTION A-A  
SCALE 4:1



DETAIL C  
(SCALE 4:1)

TOP OF REEL → SEE DETAIL B

WEEDING THE COVER TAPE  
AROUND THE OUTER  
PERIPHERY IN  
A TURN.  
165°~180°  
PEELING ANGLE.

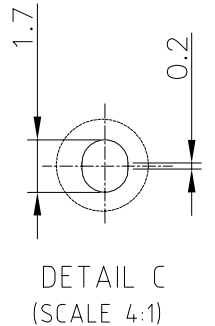
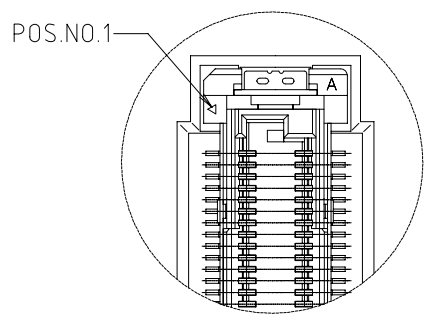
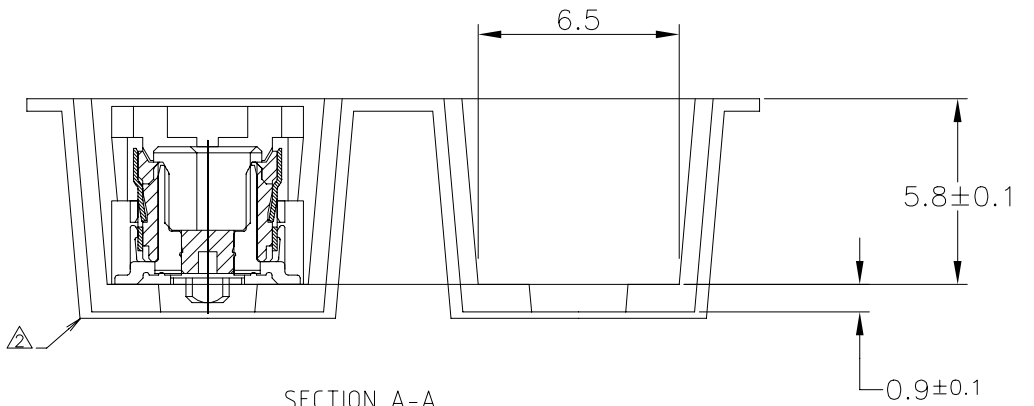
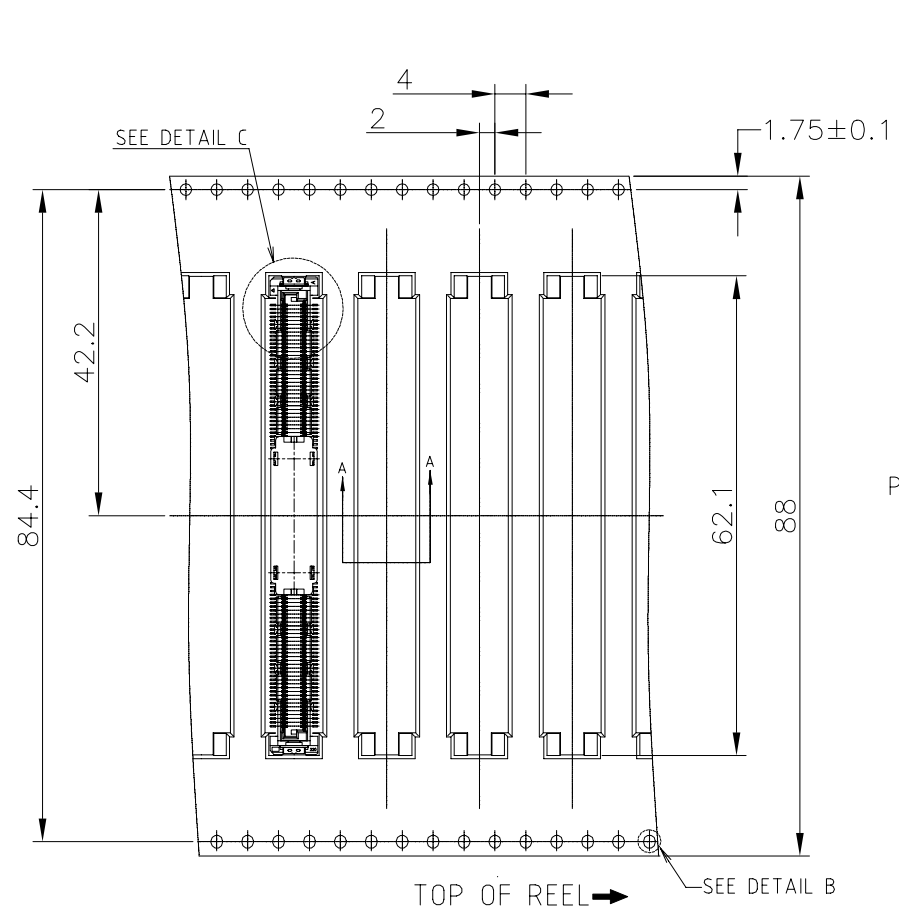


**WITHOUT  
CAP**

△	NO	93.5	89.5	800	220	9-1827253-7
△	NO	93.5	89.5	800	220	4-1827253-6
FINISH	SEALANT SIF-200B	W2	W1	QTY/ REEL	POS	TAPING P/N

THIS DRAWING IS A CONTROLLED DOCUMENT.		DWN S. CHIEN 18MAY05	TE Connectivity Ltd.			
		CHK T. FUTATSUGI 18MAY05				
DIMENSIONS: MM		APVD W. KODAMA 18MAY05	NAME			
		PRODUCT SPEC		APPLICATION SPEC		
MATERIAL		WEIGHT		RESTRICTED TO		
FINISH		CUSTOMER DRAWING		SCALE 1:2 SHEET 2 OF 5 REV D2		
TOLERANCES UNLESS OTHERWISE SPECIFIED: 0 PLC ± 0.25 1 PLC ± 0.15 2 PLC ± 0.10 3 PLC ± 0.05 4 PLC ± 0.0250 ANGLES ± 3°		SIZE A3 CAGE CODE 00779 C=1827253		ON TAPING EMBOSS FH 0.5 BTB CONNECTOR 220POS PLUG 5H WITH GROUND PLATE		

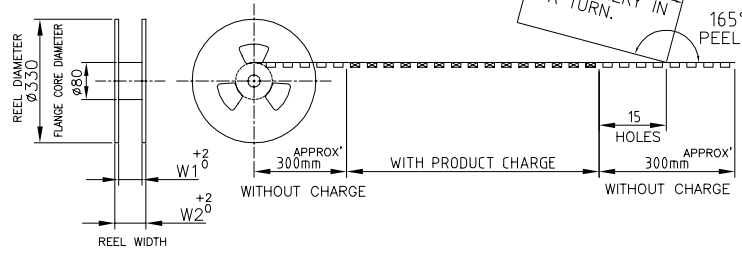
REVISIONS					
P	LTR	DESCRIPTION	DATE	DWN	APVD
-	-	SEE SHEET 1	-	-	-



**WITH CAP**

△	BLACK	NO	93.5	89.5	700	220	9-1827253-9
△	NATURE	NO	93.5	89.5	700	220	9-1827253-8
△	NATURE	NO	93.5	89.5	700	220	4-1827253-8
FINISH	CAP COLOR	SEALANT SIF-200B	W2	W1	QTY/ REEL	POS	TAPING P/N

WEEDING THE COVER TAPE AROUND THE OUTER PERIPHERY IN A TURN.  
165°~180° PEELING ANGLE.



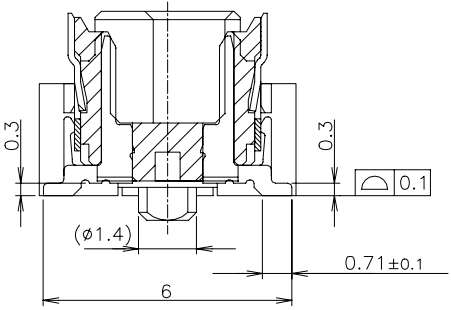
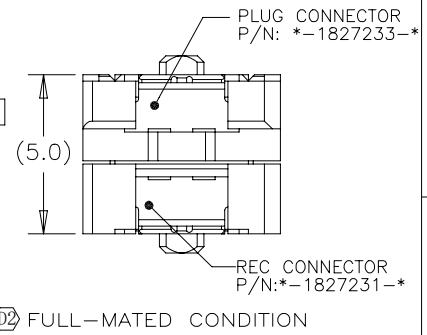
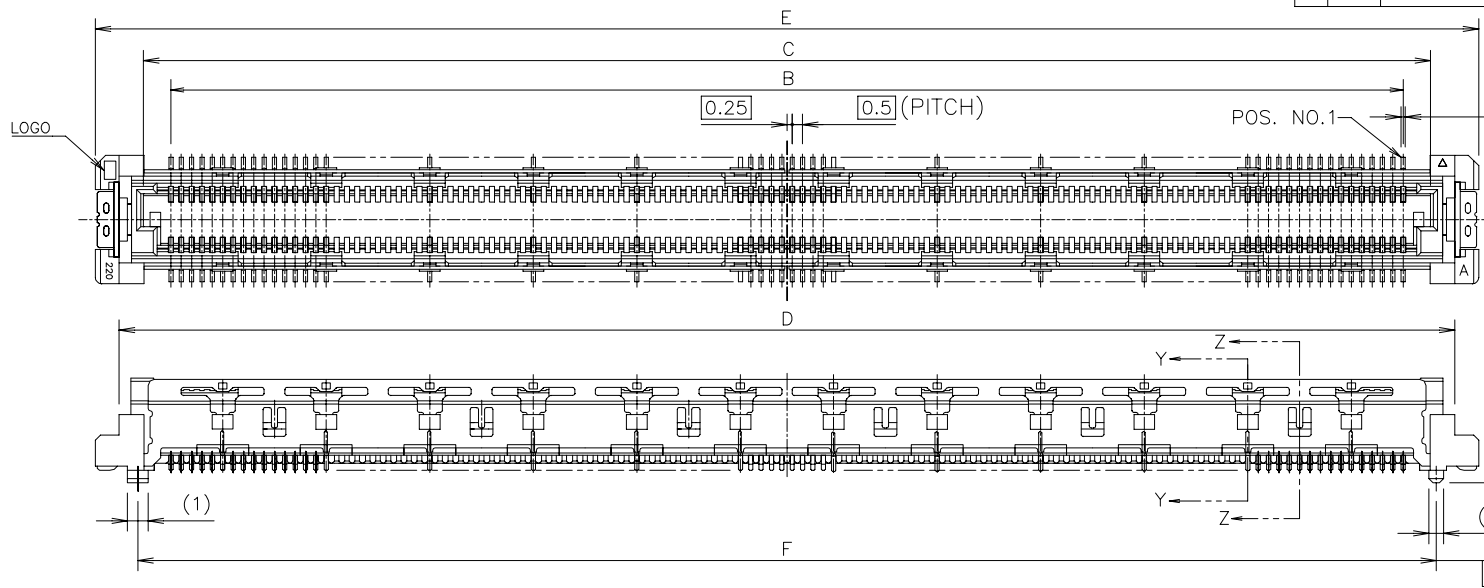
THIS DRAWING IS A CONTROLLED DOCUMENT.

DIMENSIONS:	TOLERANCES UNLESS OTHERWISE SPECIFIED:
MM	
0 PLC	± 0.25
1 PLC	± 0.15
2 PLC	± 0.10
3 PLC	± 0.05
4 PLC ANGLES	± 0.0250 ± 3'

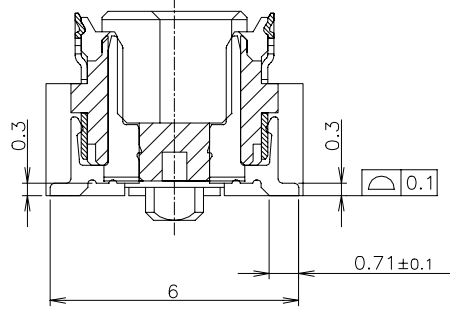
DWN	S. CHIEN	18MAY05
CHK	T. FUTATSUGI	18MAY05
APVD	W. KODAMA	18MAY05
PRODUCT SPEC		
APPLICATION SPEC		
WEIGHT		
CUSTOMER DRAWING		

<b>TE</b> TE Connectivity Ltd.			
ON TAPING EMBOSS FH 0.5 BTB CONNECTOR 220POS PLUG 5H WITH GROUND PLATE			
SIZE	CAGE CODE	DRAWING NO	RESTRICTED TO
A3	00779	C=1827253	-
SCALE 1:2		SHEET 3 of 5	REV D2

REVISIONS					
P	LTR	DESCRIPTION	DATE	DWN	APVD
-	-	SEE SHEET 1	-	-	-



SECT. Z-Z  
(SIGNAL POSITION)  
(SCALE 8:1)



SECT. Y-Y  
(GROUND POSITION)  
(SCALE 8:1)

57.7	61.8	59.5	57.1	54.5	BLACK	220	9-1827253-9
57.7	61.8	59.5	57.1	54.5	BLACK	220	9-1827253-8
57.7	61.8	59.5	57.1	54.5	BLACK	220	9-1827253-7
57.7	61.8	59.5	57.1	54.5	BLACK	220	9-1827253-6
57.7	61.8	59.5	57.1	54.5	BLACK	220	4-1827253-8
57.7	61.8	59.5	57.1	54.5	BLACK	220	4-1827253-6
57.7	61.8	59.5	57.1	54.5	BLACK	220	3-1827253-6
F	E	D	C	B	CONN. COLOR	POS.	PART NO.

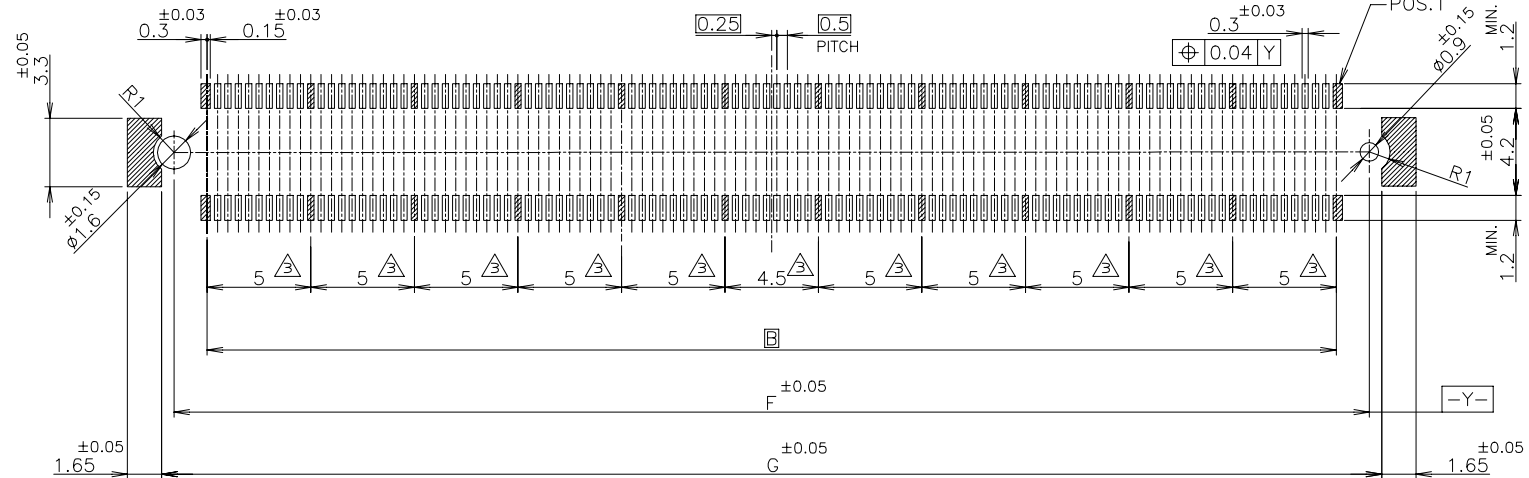
THIS DRAWING IS A CONTROLLED DOCUMENT.

DIMENSIONS: MM	TOLERANCES UNLESS OTHERWISE SPECIFIED:	DWN	TE Connectivity Ltd. ASSEMBLY FH 0.5 BTB CONNECTOR 220POS PLUG 5H WITH GROUND PLATE
	0 PLC ± 0.25	CHK	
	1 PLC ± 0.15	APVD	
	2 PLC ± 0.10	PRODUCT SPEC	
	3 PLC ± 0.05	APPLICATION SPEC	
MATERIAL	4 PLC ± 0.0250	WEIGHT	
	ANGLES ± 3°	CUSTOMER DRAWING	

SIZE	CAGE CODE	DRAWING NO	RESTRICTED TO
A3	00779	C=1827253	

SCALE 4:1 SHEET 4 OF 5 REV D2

P	LTR	DESCRIPTION	DATE	DWN	APVD
-	-	SEE SHEET 1	-	-	-



REFERENCE P.C.BOARD LAYOUT OF CONNECTOR

NOTES

- △ MATERIAL ; HOUSING: HIGH TEMP THERMO PLASTIC UL94V-0  
CONTACT: COPPER ALLOY  
SOLDER PEG : COPPER ALLOY
- △ FINISH ; SIGNAL CONTACT : UNDER PL. Ni 0.0013mm MIN ALL OVER  
CONTACT AREA 0.0002mm MIN Au PL.  
SOLDERING AREA 0.00005mm MIN Au PL.  
GROUND CONTACT : UNDER PL. Ni 0.0013mm MIN ALL OVER  
CONTACT AREA 0.0002mm MIN Au PL.  
SOLDERING AREA 0.00005mm MIN Au
- SOLDER PEG: TIN PL. 0.0001mm MIN OVER  
UNDER PL. Ni OR COPPER 0.0013mm MIN ALL OVER
- △ THIS POSITION IS GROUND CIRCUIT.
- △ HIGH TEMPERATURE VERSION.
- △ FINISH ; SIGNAL CONTACT : UNDER PL. Ni 0.0013mm MIN ALL OVER  
CONTACT AREA 0.00076mm MIN Au PL.  
SOLDERING AREA 0.00005mm MIN Au PL.
- GROUND CONTACT : UNDER PL. Ni 0.0013mm MIN ALL OVER  
CONTACT AREA 0.00076mm MIN Au PL.  
SOLDERING AREA 0.00005mm MIN Au
- SOLDER PEG: TIN PL. 0.0001mm MIN OVER  
UNDER PL. Ni OR COPPER 0.0013mm

59.5	220	9-1827253-9
59.5	220	9-1827253-8
59.5	220	9-1827253-7
59.5	220	9-1827253-6
59.5	220	4-1827253-8
59.5	220	4-1827253-6
59.5	220	3-1827253-6
G	POS.	PART NO.

THIS DRAWING IS A CONTROLLED DOCUMENT.		DWN	TE Connectivity Ltd.	
		CHK		
DIMENSIONS: MM		APVD	NAME	
TOLERANCES UNLESS OTHERWISE SPECIFIED: 0 PLC ± 0.25 1 PLC ± 0.15 2 PLC ± 0.10 3 PLC ± 0.05 4 PLC ANGLES ± 0.0250 ± 3°		PRODUCT SPEC	ASSEMBLY	
		APPLICATION SPEC	FH 0.5 BTB CONNECTOR 220POS PLUG 5H WITH GROUND PLATE	
MATERIAL		WEIGHT	SIZE	RESTRICTED TO
		CUSTOMER DRAWING	A3 00779	DRAWING NO. C=1827253
		SCALE 4:1	SHEET 5 OF 5	REV D2

单击下面可查看定价，库存，交付和生命周期等信息

[>>TE Connectivity\(泰科\)](#)