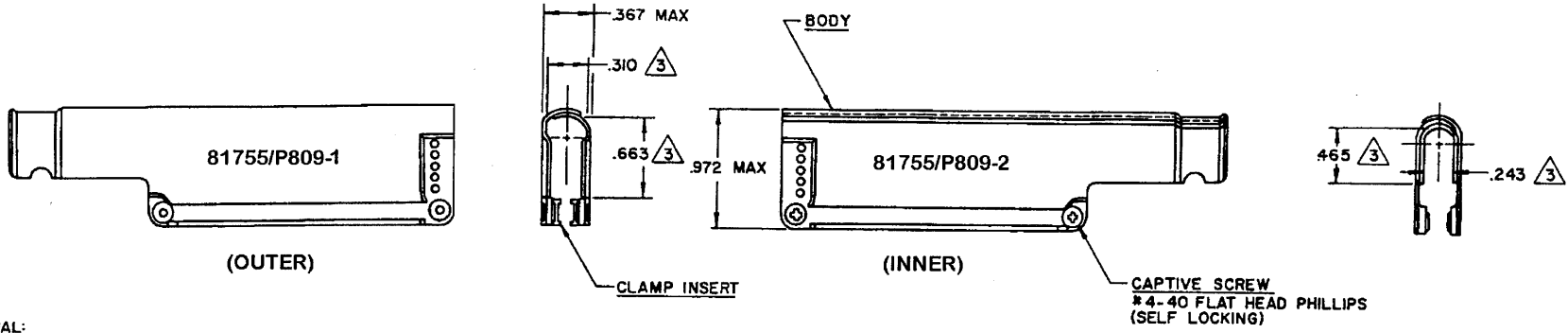


REVISIONS			
ZONE/LTR	DESCRIPTION	DATE	APPROVAL
—/N/C	INITIAL RELEASE PER ECN # T-20417	8-29-85	HAGMANN



NOTES:

1. MATERIAL:

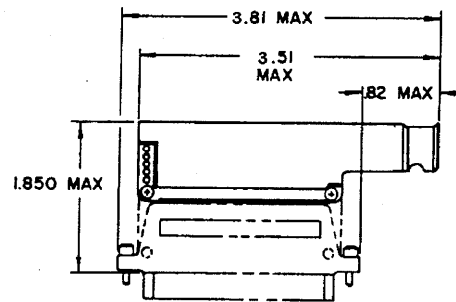
- A. BODY; PHOSPHOR BRONZE PER ASTM B-139.
- B. CAPTIVE SCREW; STAINLESS STEEL PER QQ-S-763, 300 SERIES.
- C. CLAMP INSERT; FLUOROSILICONE ELASTOMER PER MIL-R-25988.

2. FINISH:

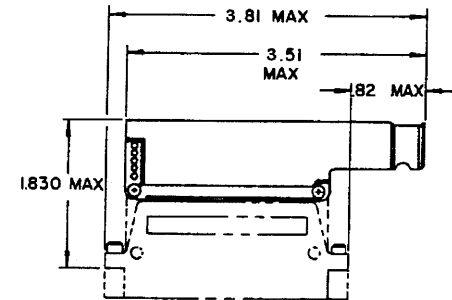
- A. BODY; TIN PLATED PER MIL-T-10727 OVER NICKEL PER MIL-C-26074.
- B. CAPTIVE SCREW; CADMIUM PLATED PER QQ-P-416

△ THESE DIMENSIONS ARE FOR MAXIMUM CABLE ACCOMMODATION.

- 4. **Raychem** PART NUMBER IS MARKED ON BACKSHELL PACKAGE.
- 5. THIS BACKSHELL IS FOR USE WITH **Raychem** MTC SERIES CONNECTORS. 2" PLUG OR 2" RECEPTACLE AS SHOWN.



2 INCH PLUG ASSY
INSTALLATION DATA
REF



2 INCH RECEPTACLE ASSY
INSTALLATION DATA
REF

CUSTOMER P/N	RAYCHEM P/N	STYLE
81755/P809-1	CHA-0018-103	OUTER
81755/P809-2	CHA-0018-203	INNER

SPECIFICATION CONTROL DRAWING

UNLESS OTHERWISE SPECIFIED DIMENSIONS ARE IN INCHES BRACKETED DIMENSIONS () ARE METRIC AND TOLERANCES ARE: .xxx: ± () .xx: ± () .Δ: ± ()	DRAWN	W.JACKSON	9-80	Raychem <small>RAYCHEM CORPORATION 300 CONSTITUTION DRIVE WORLD PARK, CALIFORNIA 94025</small>	
	CHECKED	B			
	APPROVED	Plain	7-20-80		
	APPROVED				
				TITLE	RIGHT ANGLE BREAKOUT BACKSHELL 2 INCH MTC
				SIZE	A
				CODE IDENT	NO. 06090
				DWG. NO.	CHA-0018-X03
				CAD NAME	001029-1.PCX
				WEIGHT	
				SHEET	1 OF 1

If this document is printed it becomes uncontrolled.
Check with the web for latest revision.

DO NOT SCALE THIS DRAWING.

单击下面可查看定价，库存，交付和生命周期等信息

[>>TE Connectivity\(泰科\)](#)