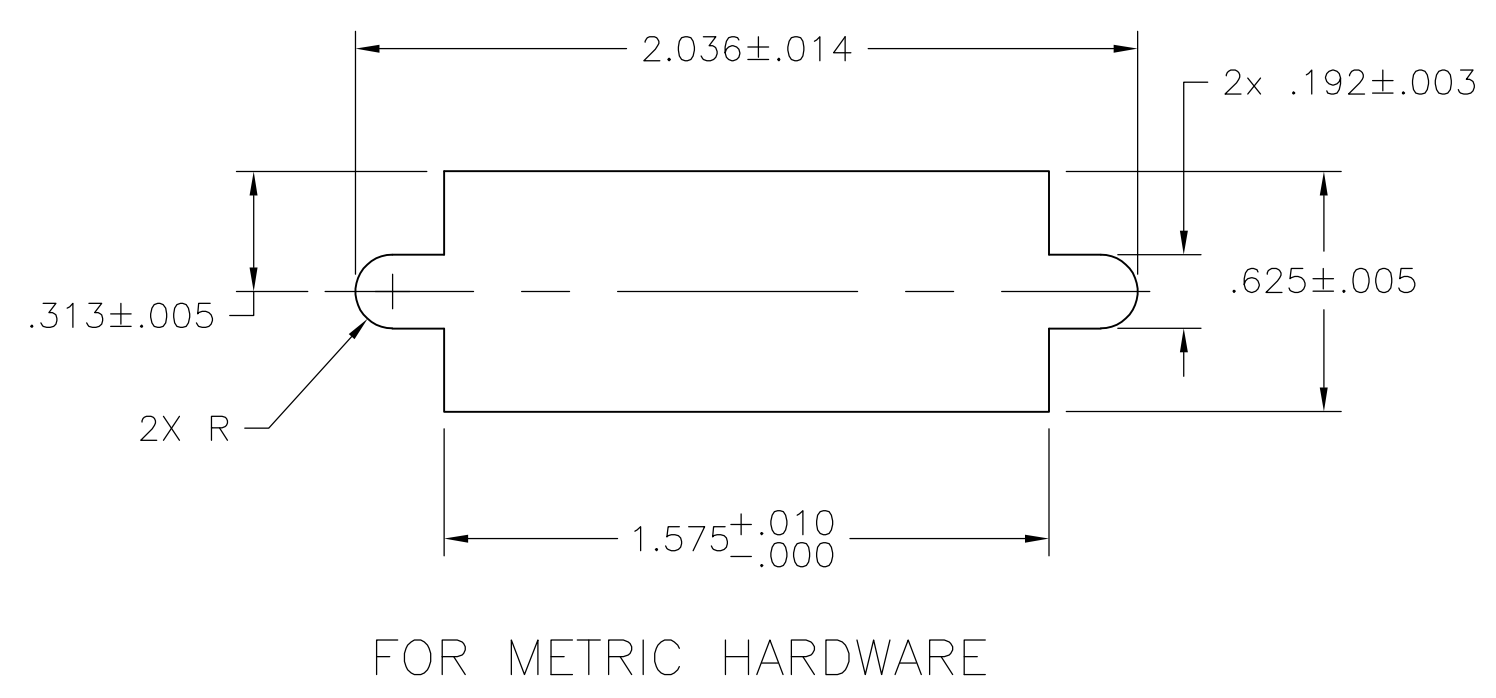
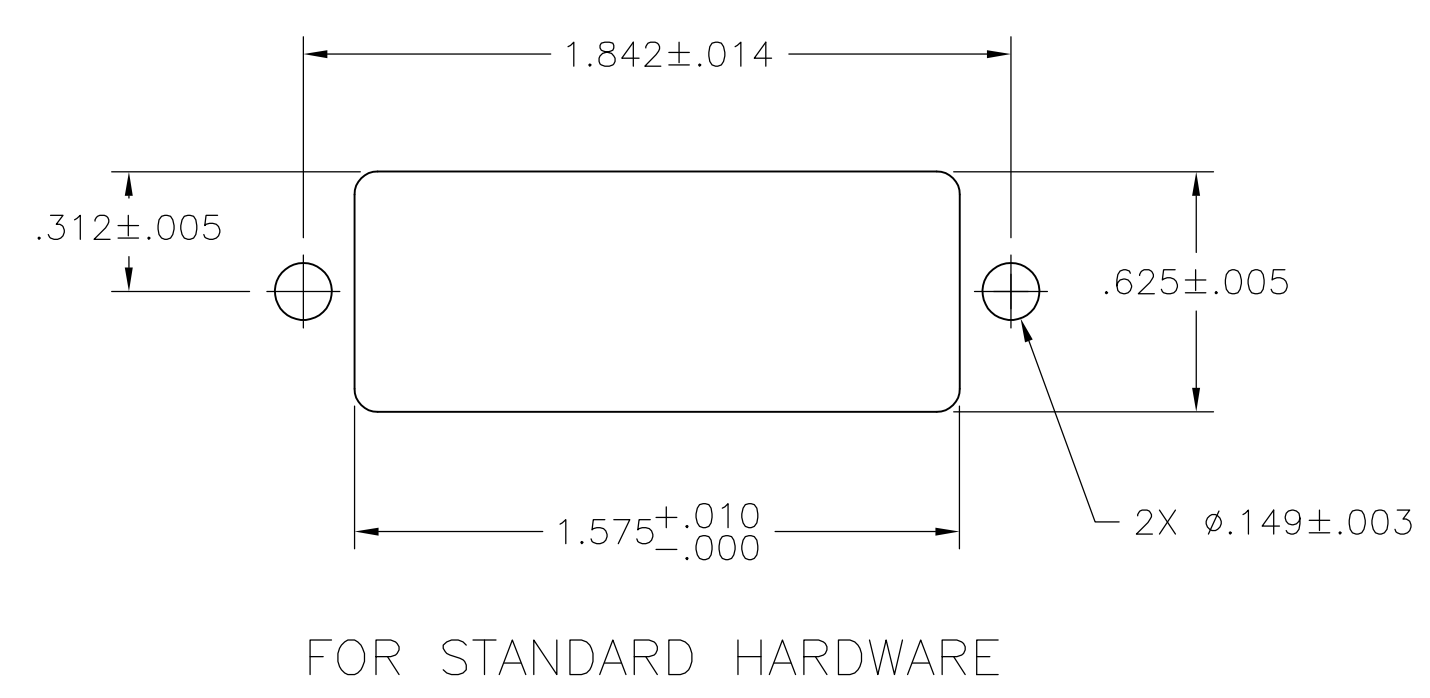
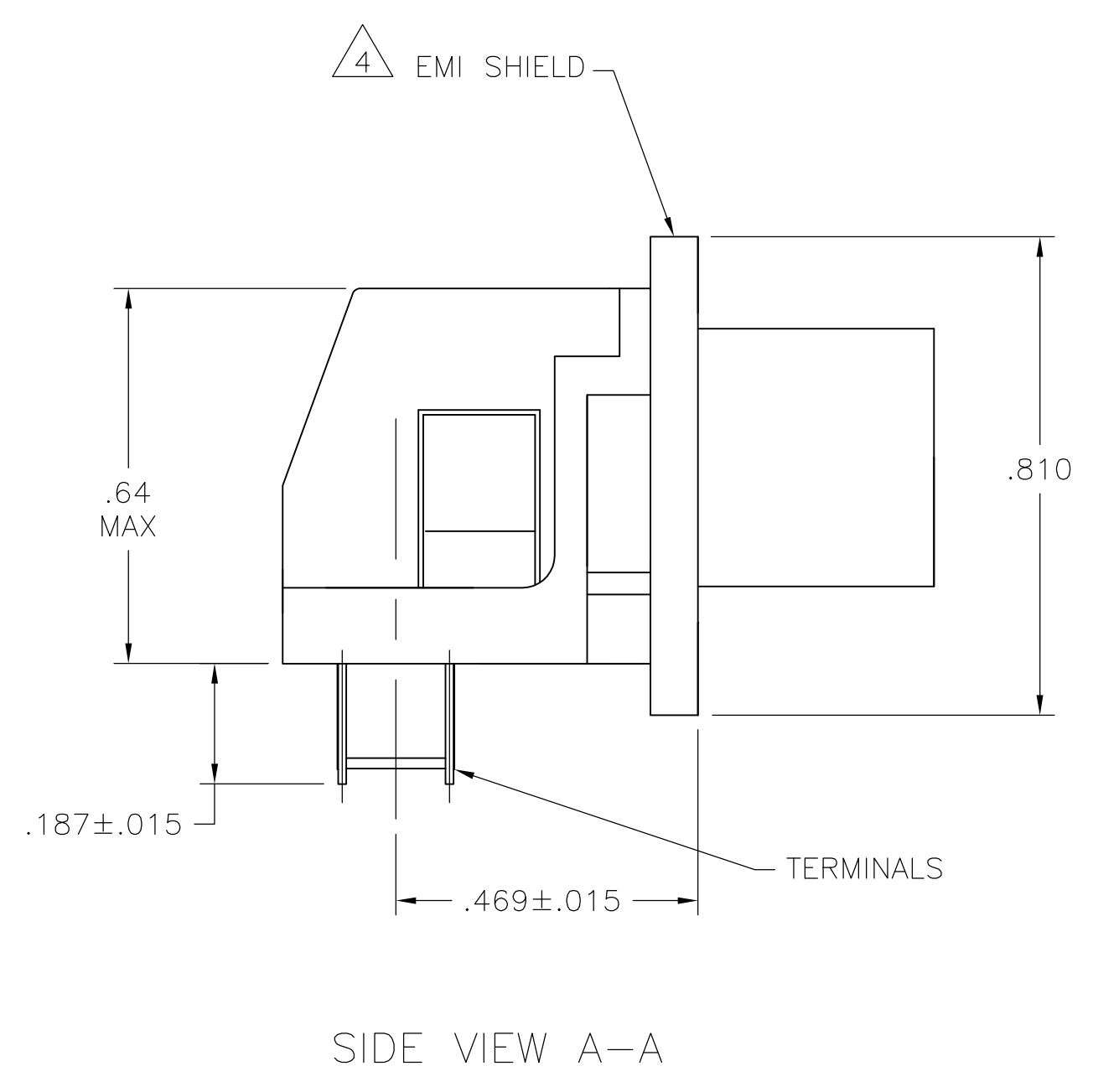
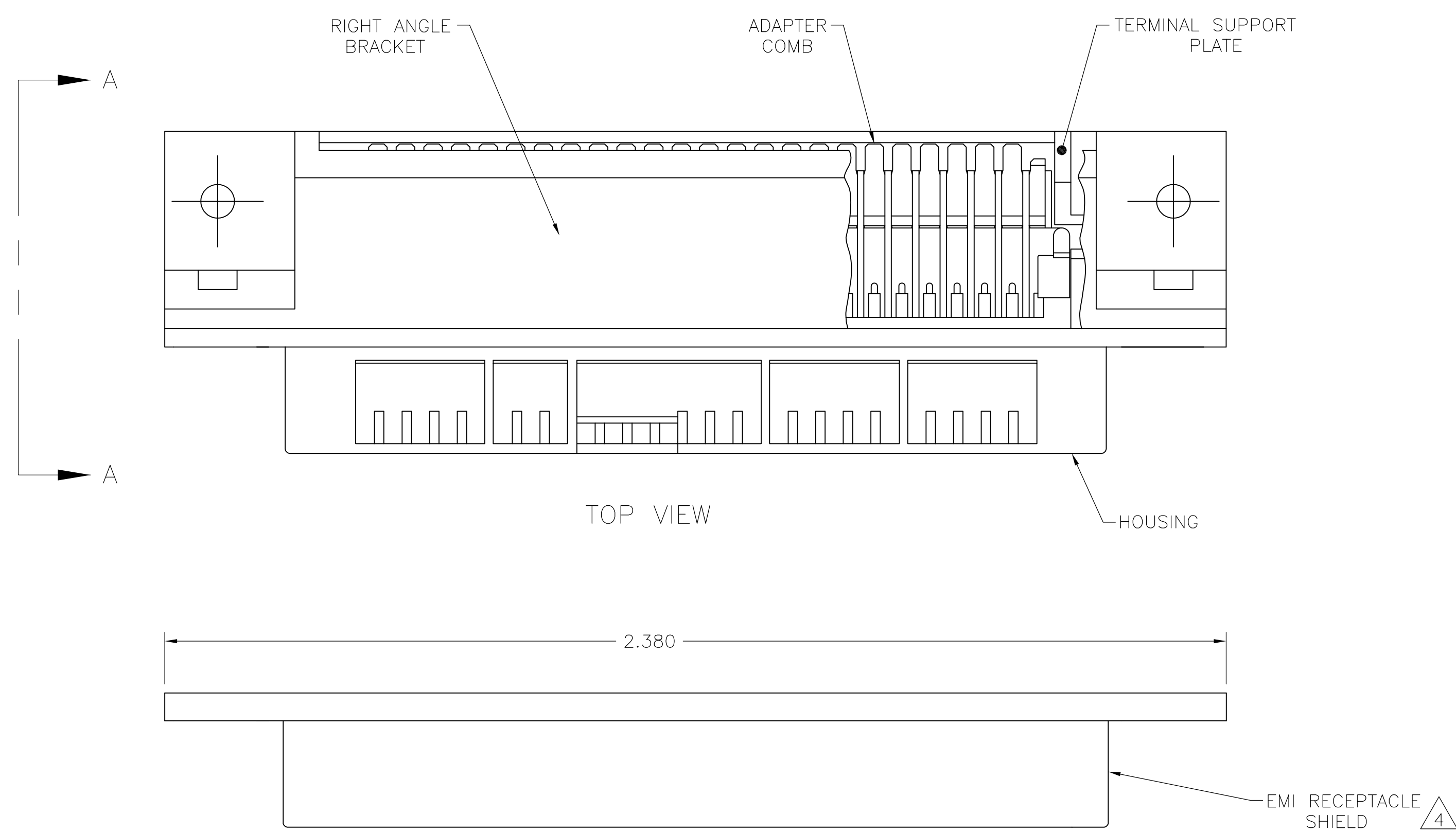


- $\triangle 1$  MATERIAL:  
HOUSING, RIGHT ANGLE BRACKET, ADAPTER COMB AND SUPPORT PLATE: THERMOPLASTIC, BLACK.  
EMI SHIELD: BRIGHT NICKEL OVER COPPER PLATED DIE CASTING.  
TERMINALS - HIGH STRENGTH COPPER ALLOY PLATED WITH EITHER .000030 MIN GOLD PLATE OR GOLD FLASH OVER PALLADIUM NICKEL PLATE, .000030 MIN TOTAL ON MATING SURFACE. .000120 MIN TIN PLATE ON TAILS, ALL OVER .000050 MIN NICKEL UNDERPLATE OVER ENTIRE TERMINAL.
- THE CONTACT SURFACES OF THE TERMINALS ARE COATED WITH LUBRICANT.
  - CENTER-TO-CENTER SPACING OF TERMINALS IS .085.
  - $\triangle 4$  EMI RECEPTACLE SHIELD NOT ASSEMBLED.
  - ALL DIMENSIONS SHOWN ARE FOR REFERENCE ONLY UNLESS OTHERWISE SPECIFIED.
  - $\triangle 6$  TERMINAL 1 IS LOCATED IN THIS ROW FOR STANDARD ORIENTATION, SEE DETAIL A.
  - $\triangle 7$  DETAIL A IS SHOWN FROM MATING SIDE OF RECEPTACLE ASSEMBLY.



SUGGESTED PANEL CUTOUT FOR REAR PANEL MOUNTING

SEE DETAIL A	5553119-1
DESCRIPTION	PART NUMBER

THIS DRAWING IS A CONTROLLED DOCUMENT.		DIN 15	MCMASTER	18AUG05	Tyco Electronics Corporation Harrisburg, PA 17105-3608	
DIMENSIONS: INCHES		0	PLC	±	---	NAME M. WALMSEY 18AUG05 PRODUCT SPEC
TOLERANCES UNLESS OTHERWISE SPECIFIED:		1	PLC	±	---	
		2	PLC	±	---	
		3	PLC	±	---	
		4	PLC	±	---	APPLICATION SPEC
			ANGLES	±	---	SIZE
						CAGE CODE
						DRAWING NO
						RESTRICTED TO
MATERIAL $\triangle 1$		FINISH $\triangle 1$		WEIGHT		A1 00779
CUSTOMER DRAWING		SCALE		SHEET		REV

单击下面可查看定价，库存，交付和生命周期等信息

[>>TE Connectivity\(泰科\)](#)