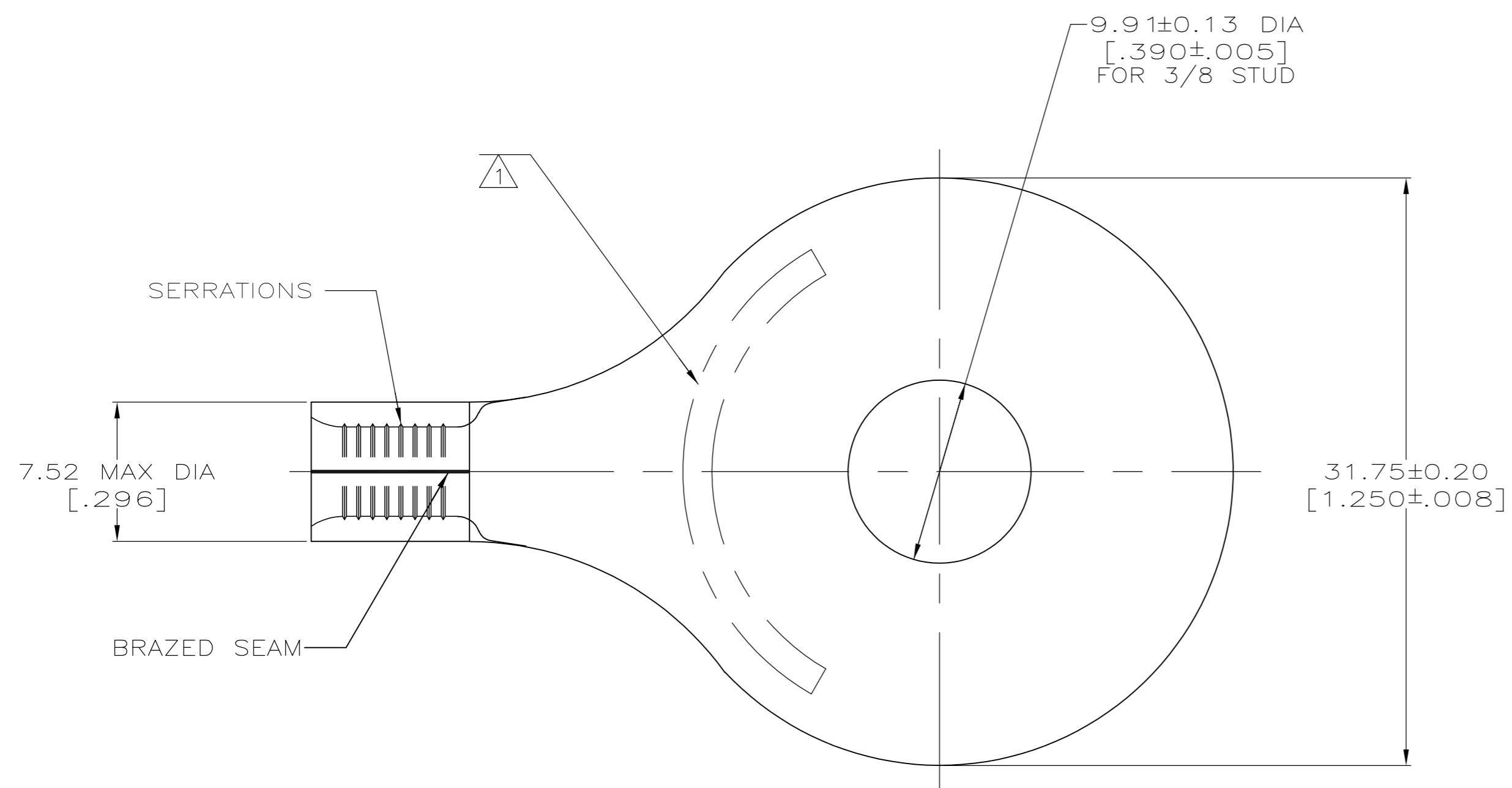


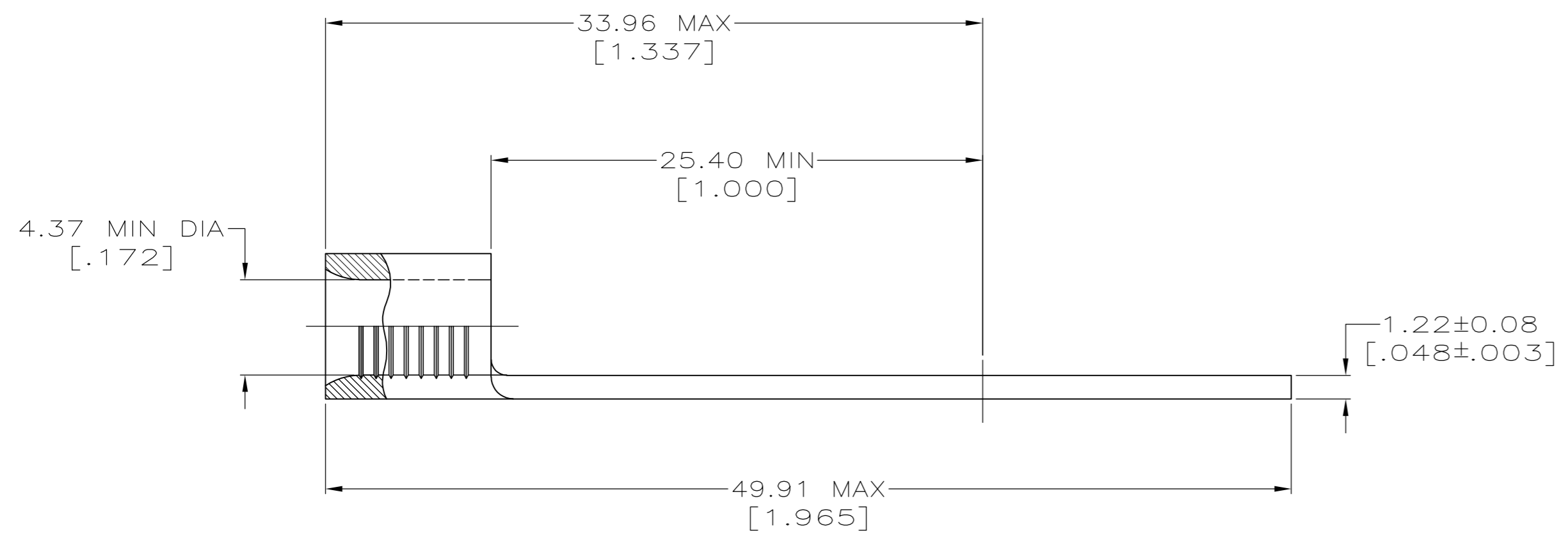
THIS DRAWING IS UNPUBLISHED. RELEASED FOR PUBLICATION
 © COPYRIGHT BY TYCO ELECTRONICS CORPORATION. ALL INTERNATIONAL RIGHTS RESERVED.

LOC	DIST	REVISIONS			
P	LTR	DESCRIPTION	DATE	DWN	APVD
G	14	C1	REV PER ECR 09-027810	29DEC09	JR TM



AMP WIRE RANGE	Listed FILE E13288	LR7189 Certified
8 AWG SOLID OR STRANDED	8 AWG STRANDED	8 AWG SOLID OR STRANDED

- STAMP AMP 8* APPROX AS SHOWN
- COPPER PER ASTM B-152, ANNEALED
- TIN PLATE 0.00254 [.000100] MIN THK PER ASTM B-545



36499
PART NO.

MAX RECOMMENDED OPERATING TEMPERATURE: 170°C MAX	THIS DRAWING IS A CONTROLLED DOCUMENT.		DWN TA BRINKMAN 3-24-93	Tyco Electronics Corporation Harrisburg, PA 17105-3608
	VOLTAGE RATING: N/A	DIMENSIONS: MM [INCHES]	CHK DA PATTERSON 3-24-93	
CIRCULAR MIL AREA: 6.64-10.5mm² [13,100-20,800] SOLID OR STRANDED	TOLERANCES UNLESS OTHERWISE SPECIFIED: 0 PLC ± - 1 PLC ± - 2 PLC ± - 3 PLC ± - 4 PLC ± - ANGLES ± - FINISH	APVD JL MECKLEY 3-24-93	NAME JL MECKLEY	SIZE A2
	MATERIAL -	PRODUCT SPEC -	APPLICATION SPEC -	CAGE CODE 00779
		WEIGHT -	RESTRICTED TO -	DRAWING NO C=36499
		CUSTOMER DRAWING	SCALE 4:1	SHEET 1 of 1

单击下面可查看定价，库存，交付和生命周期等信息

[>>TE Connectivity\(泰科\)](#)