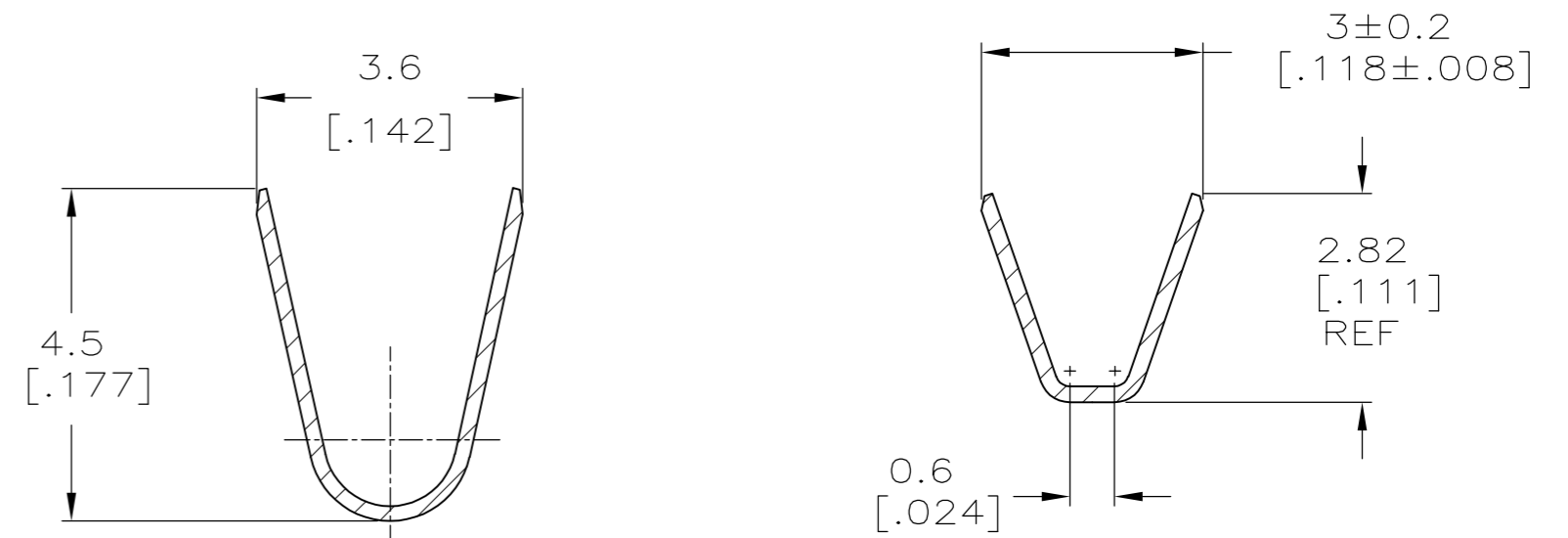
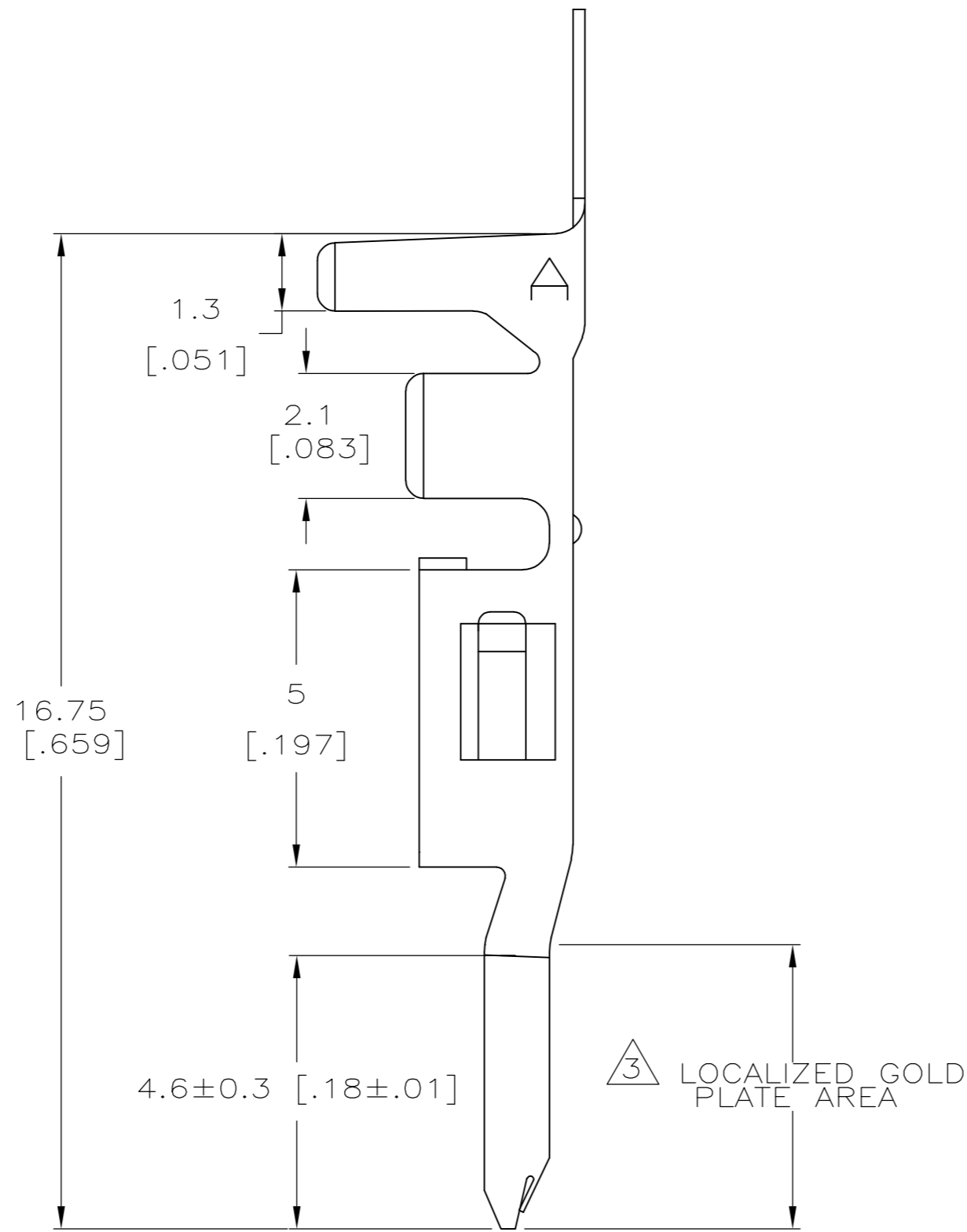
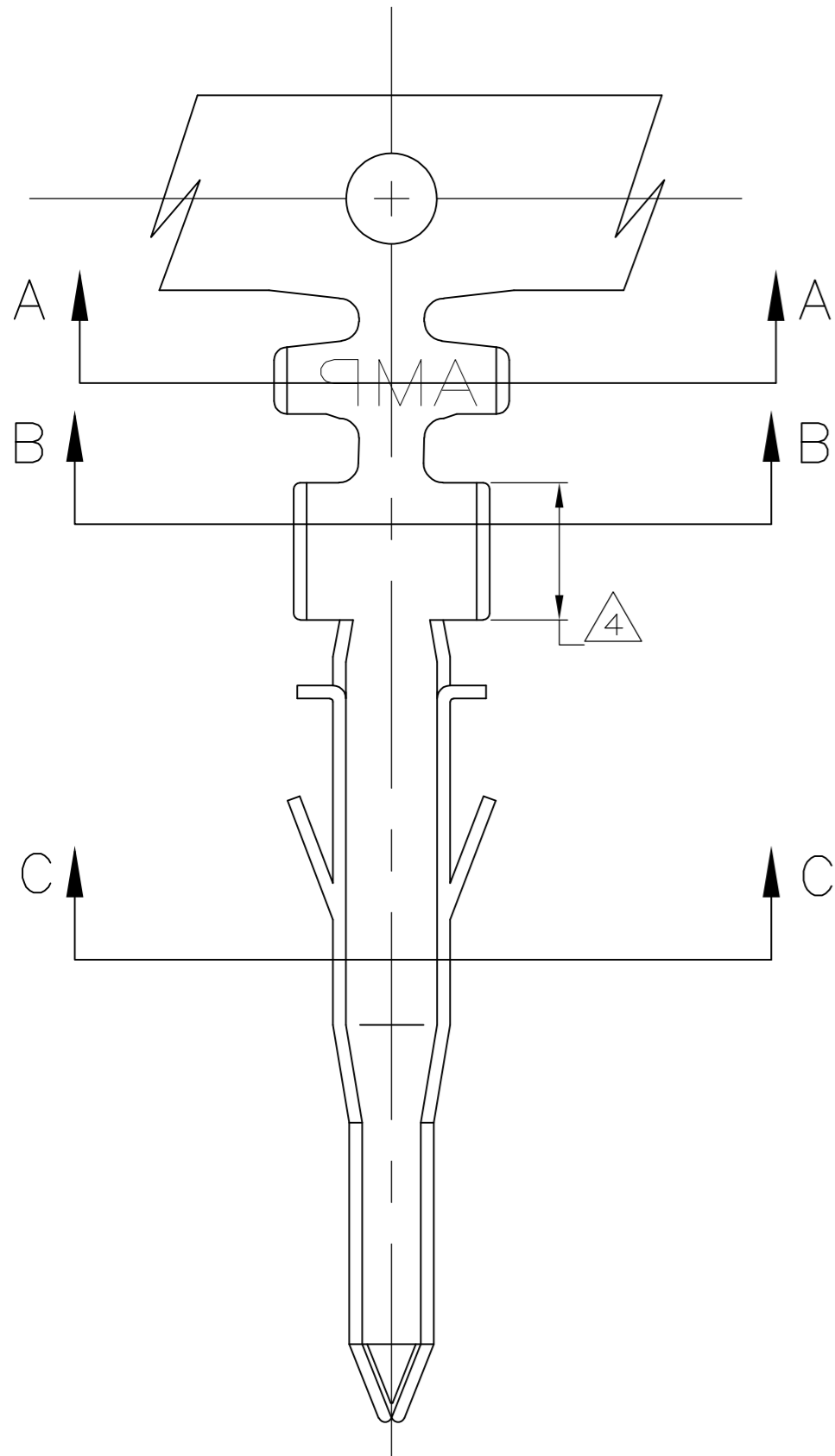


THIS DRAWING IS UNPUBLISHED. RELEASED FOR PUBLICATION
 © COPYRIGHT BY TYCO ELECTRONICS CORPORATION. ALL RIGHTS RESERVED.

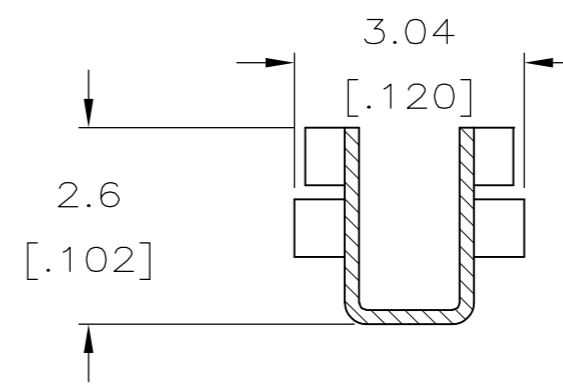
| LOC | DIST | REVISIONS | | | |
|-----|------|-------------|---------------------------|---------|--------|
| P | LTR | DESCRIPTION | DATE | DWN | APVD |
| CM | 00 | C1 | REVISED PER ECR-10-013247 | 25JUN10 | HMR KR |

- 1 WIRE RANGE: 1.31mm² (16 AWG)
- 2 INSULATION RANGE: 3.10 [.122] DIA.
- △3 FINISH: 0.76µm [.000030 in] GOLD IN LOCALIZED GOLD PLATE AREA OVER 1.27µm [.00005 in] MINIMUM NICKEL.
- △4 FINISH: 2.54µm [.00001 in] MINIMUM TIN IN LOCALIZED TIN PLATE AREA.
- △5 FINISH: 2.54µm [.00001 in] MINIMUM PRE-TIN ALL OVER.



SECTION A-A

SECTION B-B



| | | |
|------------|------------|-----------|
| GOLD △3△4 | PHOS. BRZ. | 1586054-4 |
| PRE-TIN △5 | PHOS. BRZ. | 1586054-3 |
| GOLD △3△4 | BRASS | 1586054-2 |
| PRE-TIN △5 | BRASS | 1586054-1 |
| FINISH | MATERIAL | PART NO. |

METRIC

| | | | | |
|---|--|---------------------------------|---|-------------------------|
| THIS DRAWING IS A CONTROLLED DOCUMENT. | | DWN S. HOOVER 17-NOV-2004 | Tyco Electronics Corporation Harrisburg, PA 17105-3608 | |
| DIMENSIONS: mm [INCHES] | | CHK D. COLEY 17-NOV-2004 | NAME D. COLEY | |
| TOLERANCES UNLESS OTHERWISE SPECIFIED: 0 PLC ± 1 PLC ± 2 PLC ± 0.13 [.005] 3 PLC ± 4 PLC ± | | APVD D. COLEY 17-NOV-2004 | PRODUCT SPEC | |
| MATERIAL | | FINISH | APPLICATION SPEC | RESTRICTED TO |
| WEIGHT | | SCALE A2 | CAGE CODE 00779 | DRAWING NO C=1586054 |
| CUSTOMER DRAWING | | SCALE 10:1 | SHEET 1 of 1 | REV C1 |

单击下面可查看定价，库存，交付和生命周期等信息

[>>TE Connectivity\(泰科\)](#)