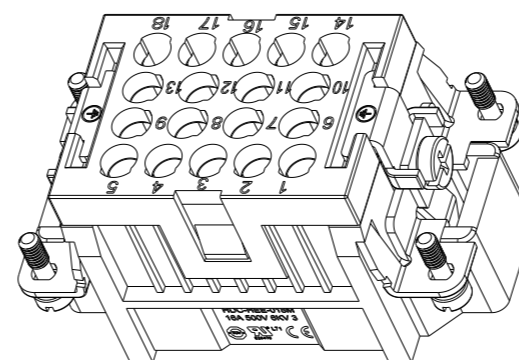
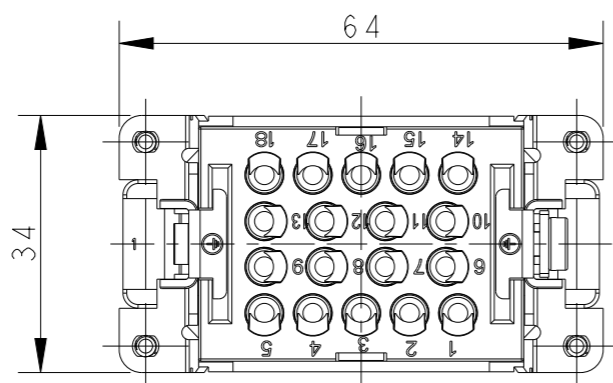
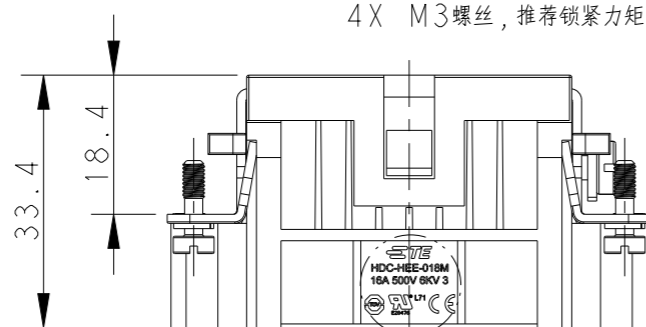
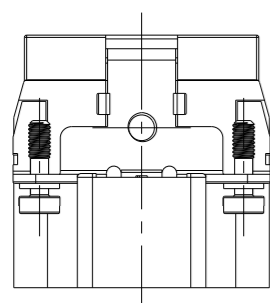


P	LTR	DESCRIPTION	DATE	DWN	APVD
B1		ECR-16-013081	13SEP2016	DL	CW
B2		ECR-16-015492	21NOV2016	QY	CW
B3		ECR-19-012251	31AUG2019	WQR	CW
C		ECR-21-108559	06AUG2021	BS	CW

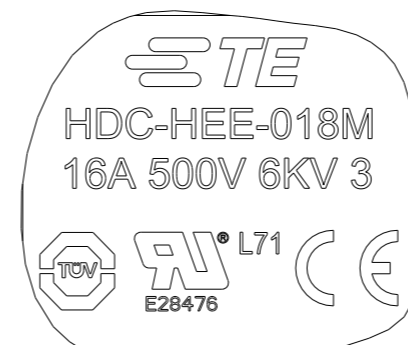
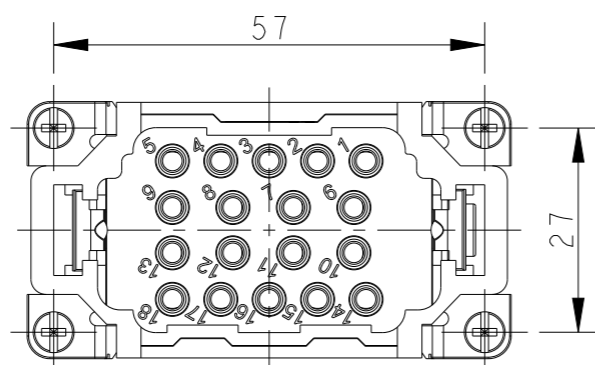


TYPE-1, T2050182101-000, TE LOGO  
 类型-1, T2050182101-000, TE LOGO

4X M3 SCREW, RECOMMENDED  
 TIGHTENING TORQUE 0.5Nm  
 4X M3螺丝, 推荐锁紧力矩0.5Nm



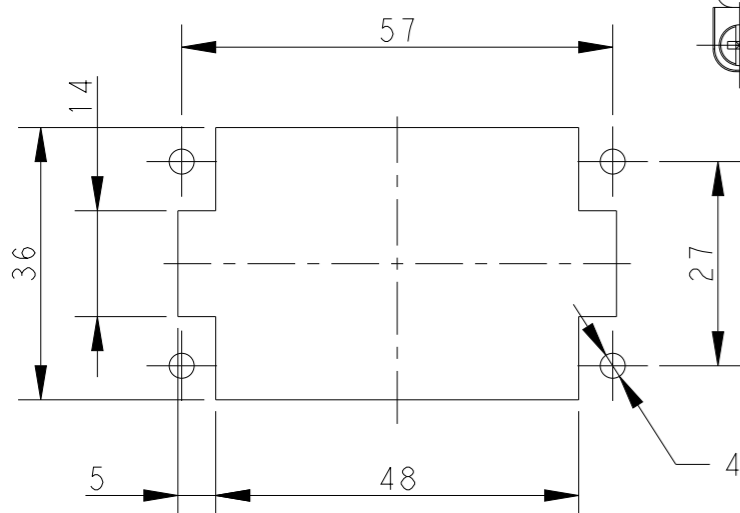
M4 SCREW, RECOMMENDED  
 TIGHTENING TORQUE 1.2Nm  
 M4螺丝, 推荐锁紧力矩1.2Nm



DETAIL A  
 SCALE 4:1

- NOTES:
- TECHNICAL CHARACTERISTICS:  
 INSULATION MATERIAL: PC  
 RATED VOLTAGE: 500 V  
 RATED CURRENT: 16 A  
 INSULATION RESISTANCE:  $\geq 400M\Omega$   
 RATED IMPULSE VOLTAGE: 6 KV  
 POLLUTION DEGREE: 3  
 FLAMMABILITY: UL94V-0  
 MATING CYCLES: 500 CYCLES  
 WIRE RANGE: 0.14-4 mm<sup>2</sup> (26-12 AWG)  
 CONTACT TYPE: CRIMP CONTACT
  - CONTACT NEED TO BE ORDERED SEPARATELY.  
 (ORDER No. T20300X10XX-000)

- 注释:
- 技术参数:  
 绝缘材料: PC  
 额定电压: 500V  
 额定电流: 16A  
 绝缘电阻:  $\geq 400M\Omega$   
 额定脉冲电压: 6 KV  
 污染等级: 3  
 阻燃等级: UL94V-0  
 插拔次数: 500次  
 接线范围: 0.14-4 mm<sup>2</sup> (26-12 AWG)  
 接线类型: 冷压接
  - 端子需要单独订购。  
 (订货号 T20300X10XX-000)



PANEL CUT FOR INSERTS FOR USING  
 WITHOUT HOODS/ HOUSINGS  
 不使用防护外壳时芯件的安装开孔图

THIS DRAWING IS A CONTROLLED DOCUMENT.		DWN DAVID LI 10MAR2015		TE Connectivity	
DIMENSIONS: mm		CHK CHRIS WANG 10MAR2015			
TOLERANCES UNLESS OTHERWISE SPECIFIED:		APVD XIANG XU 10MAR2015		NAME HEE-018-M	
0 PLC ±-		PRODUCT SPEC 108-106137		SIZE A3	
1 PLC ±-		APPLICATION SPEC 114-106137		CAGE CODE -	
2 PLC ±-		WEIGHT -		DRAWING NO. T2050182101000	
3 PLC ±-		CUSTOMER DRAWING		RESTRICTED TO	
4 PLC ±-		SCALE 1:1		SHEET 1 OF 3	
ANGLES ±-		REV C			
FINISH -					
MATERIAL -					

THIS DRAWING IS UNPUBLISHED.

RELEASED FOR PUBLICATION

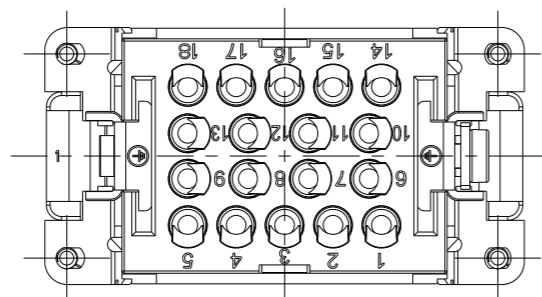
20

© COPYRIGHT 20 BY -

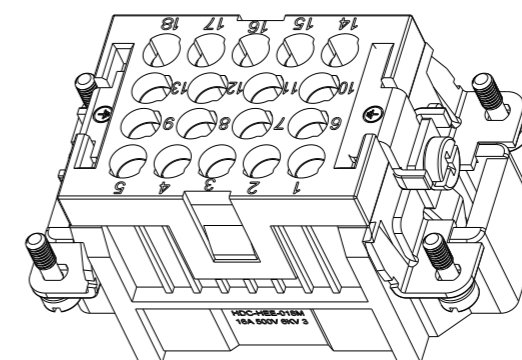
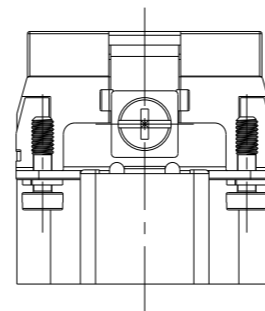
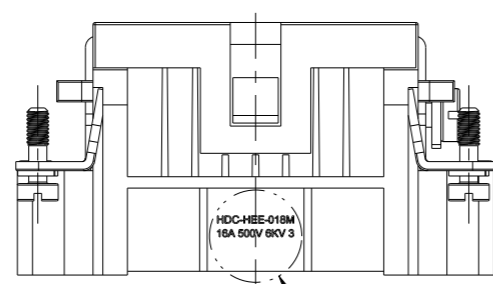
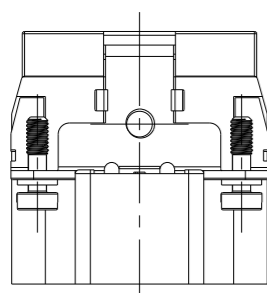
ALL RIGHTS RESERVED.

REVISIONS

P	LTR	DESCRIPTION	DATE	DWN	APVD
-	-	SEE SHEET 1	-	-	-

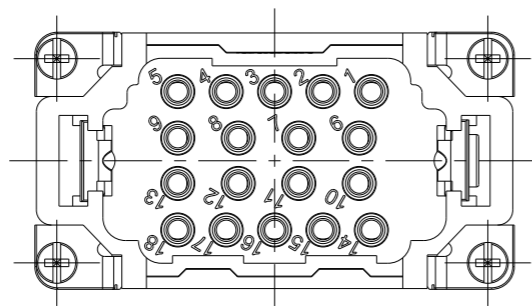


NOTE:  
SEE SHEET 1  
注释:  
见页 1



DETAIL B


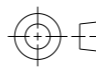
TYPE-2, T2059182101-000, NO TE LOGO  
类型-2, T2059182101-000, 无TE LOGO



HDC-HEE-018M  
16A 500V 6KV 3

DETAIL B  
SCALE 4:1

ALL SPEC DIMENSION REFER TO TYPE 1  
所有产品规格尺寸参照 TYPE 1

THIS DRAWING IS A CONTROLLED DOCUMENT.		DWN DAVID LI 10MAR2015	 TE Connectivity	
DIMENSIONS: mm		CHK CHRIS WANG 10MAR2015		
TOLERANCES UNLESS OTHERWISE SPECIFIED:		APVD XIANG XU 10MAR2015	NAME HEE-018-M	
		PRODUCT SPEC 108-106137	RESTRICTED TO	
0 PLC ±- 1 PLC ±- 2 PLC ±- 3 PLC ±- 4 PLC ±- ANGLES ±-		APPLICATION SPEC 114-106137	SIZE A3	CAGE CODE -
MATERIAL -		FINISH -	DRAWING NO T2050182101000	
-		WEIGHT -	SCALE 1:1	
-		CUSTOMER DRAWING	SHEET 2 OF 3 REV C	

4

3

2

1

THIS DRAWING IS UNPUBLISHED.

RELEASED FOR PUBLICATION

20

© COPYRIGHT 20 BY -

ALL RIGHTS RESERVED.

REVISIONS

P	LTR	DESCRIPTION	DATE	DWN	APVD
-	-	SEE SHEET 1	-	-	-

NOTE:  
SEE SHEET 1

注释:  
见页 1

TYPE-3, T2050182101-001, STAINLESS STEEL SCREW, NO LOGO  
类型-3, T2050182101-001, 不锈钢螺丝, 无LOGO

ALL SPEC DIMENSION REFER TO TYPE 1  
所有产品规格尺寸参照 TYPE 1

T2050182101-001	HEE-018-M	HEE-018 MALE INSERT, STAINLESS STEEL SCREW, NO LOGO HEE-018 公插, 不锈钢螺丝, 无LOGO	TYPE-3 类型-3
T2059182101-000	HEE-018-M	HEE-018 MALE INSERT, NO TE LOGO HEE-018 公插, 无TE LOGO	TYPE-2 类型-2
T2050182101-000	HEE-018-M	HEE-018 MALE INSERT HEE-018 公插	TYPE-1 类型-1
PART NUMBER 料号	PART DESCRIPTION 描述		TYPE 类型

THIS DRAWING IS A CONTROLLED DOCUMENT.		DWN 10MAR2015 DAVID LI		
DIMENSIONS: mm		CHK 10MAR2015 CHRIS WANG		
TOLERANCES UNLESS OTHERWISE SPECIFIED:		APVD 10MAR2015 XIANG XU	NAME HEE-018-M	
0 PLC ±- 1 PLC ±- 2 PLC ±- 3 PLC ±- 4 PLC ±- ANGLES ±-		PRODUCT SPEC 108-106137	RESTRICTED TO	
MATERIAL		APPLICATION SPEC 114-106137	SIZE A3	CAGE CODE -
FINISH		WEIGHT -	DRAWING NO T2050182101000	
-		CUSTOMER DRAWING	SCALE 1:1	SHEET 3 OF 3
-			REV C	

1470-19 (3/13)

Downloaded From [Onevac.com](http://Onevac.com)

单击下面可查看定价，库存，交付和生命周期等信息

[>>TE Connectivity\(泰科\)](#)