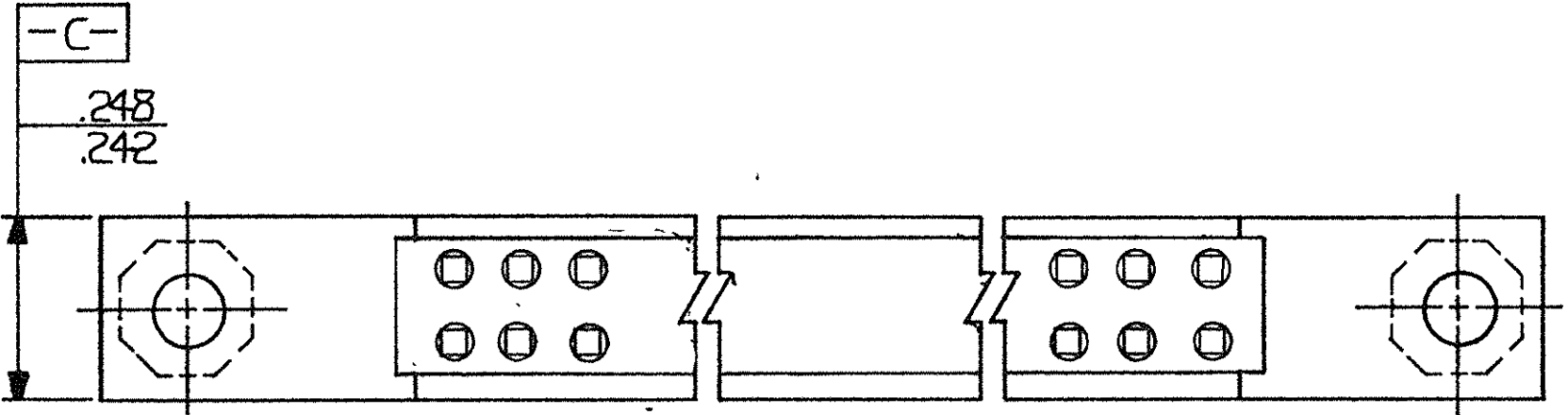
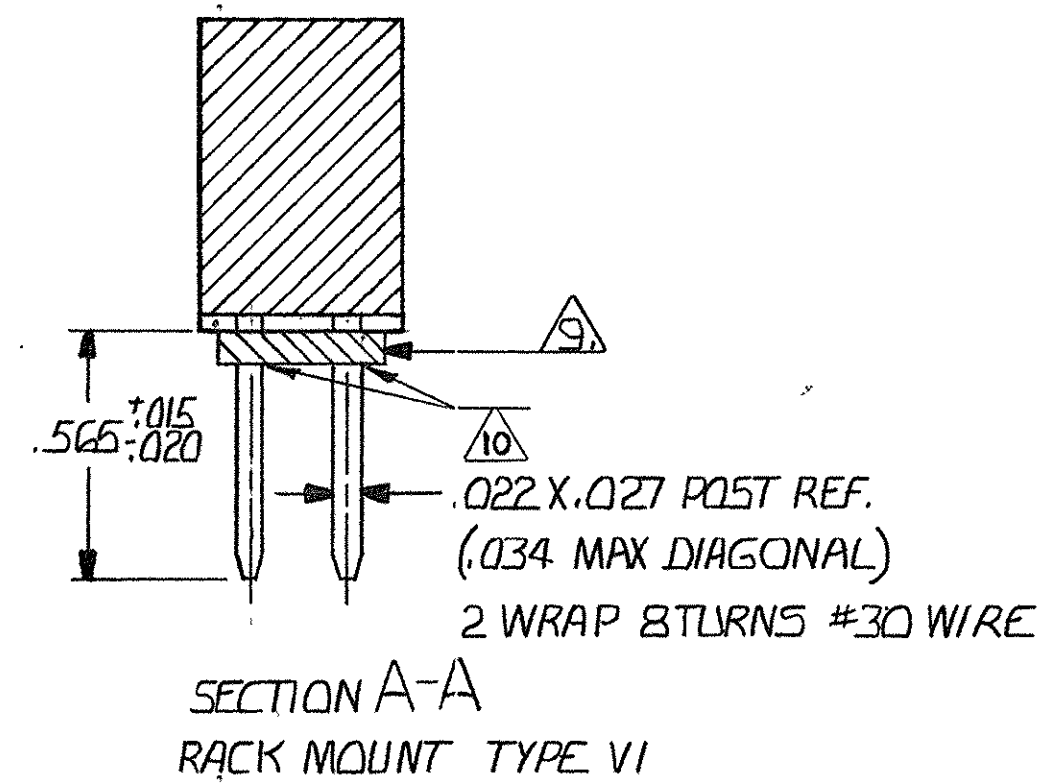
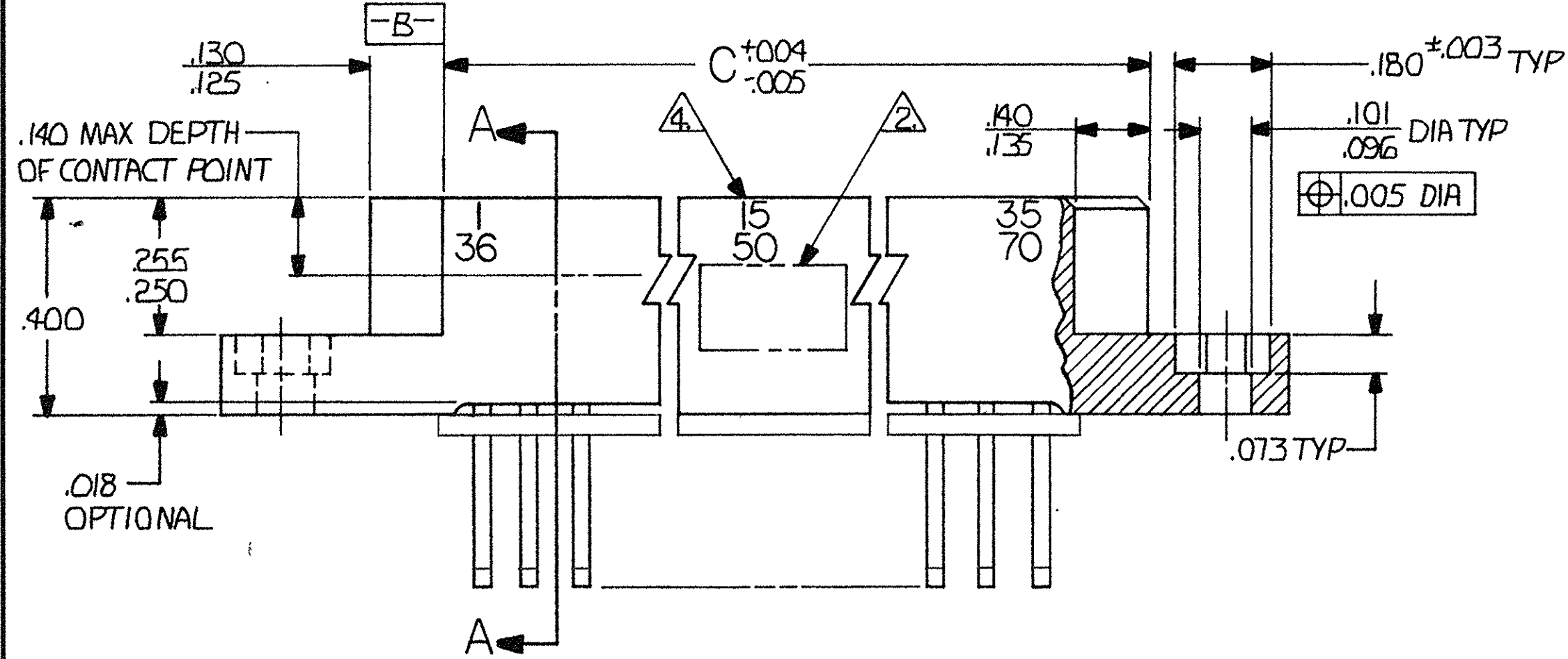
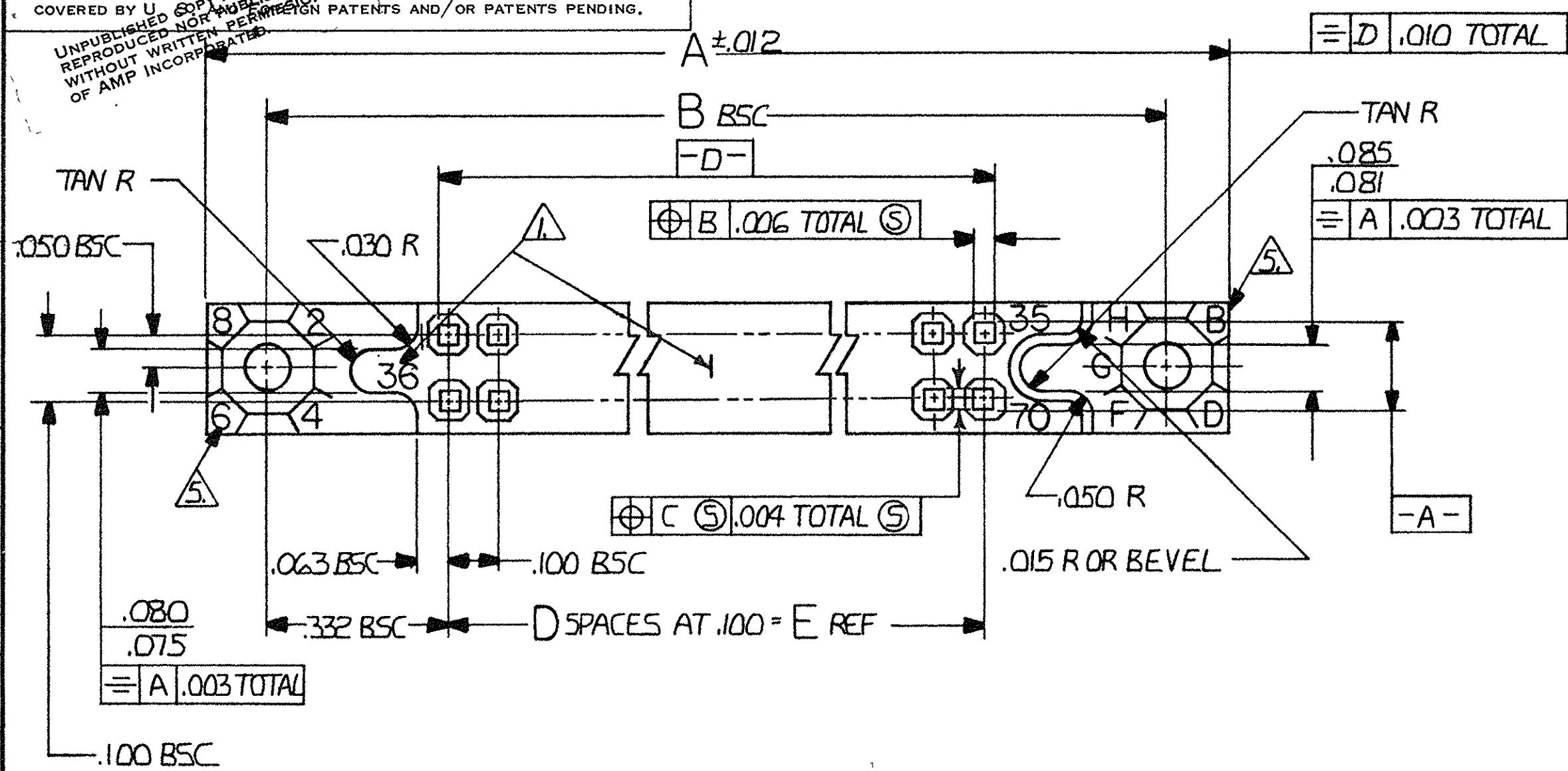


© COPYRIGHT 1970 BY AMP INCORPORATED, HARRISBURG, PA.  
 ALL INTERNATIONAL RIGHTS RESERVED, AMP INCORPORATED PRODUCTS  
 COVERED BY U.S. PATENTS AND/OR FOREIGN PATENTS AND/OR PATENTS PENDING.

UNPUBLISHED RIGHTS RESERVED, AMP INCORPORATED  
 REPRODUCED WITHOUT WRITTEN PERMISSION  
 OF AMP INCORPORATED

REVISIONS						
P	F	ZONE	LTR	DESCRIPTION	DATE	APPROVED
	✓		01	REVISED 5061 m.s.	2-2-77	
	✓		02	REVISED 6153 DLK	7-19-79	rb
03	✓		03	MIL. P/N'S ASSIGNED	DLK 4-80	rm
✓	✓		A	REV. PER ECN AB-0535	db 02-02-85	EDM
✓	✓		B	REV. PER DF-0457	5-10-88	SG 98
✓	✓		C	OBS-12-13 ECN DF 0977	ZP 11-86	T.W.
✓	✓		D	REACT-12,13 PER DF-1282	T.W. 1-89	Sam
✓	✓		E	REV PER DF-2240	T.W. 10-89	ASAL
			F	REV PER ECO-00-5859-96	TT 4-98	UJL
			G	REV PER ECO-05-013278	11-05	PY
			H	REV PER ECO 16-018559	CT 1-17	RL

D  
S  
C  
B  
A



UNLESS OTHERWISE SPECIFIED DIMENSIONS ARE IN INCHES. TOLERANCES ON: DECIMALS ±.005 ANGLES 1, 2, 9		CONTRACT NO DR Robert Wolbert 11-12-76 CHK R. Williams 11-23-76 APPD R. Williams 11-23-76 APPD D.C. Myers 11-29-76 DSGN APPD OTHER APPD		PART NO	
MATERIAL		NAME BOX CONNECTOR RECEPTACLE ASSY .100 GRID EXTERNAL KEYING		AMP INCORPORATED Harrisburg, Pa.	
FINISH		SIZE CODE IDENT NO DRAWING NO C 00779 530777		REV H	
		SCALE 4-1		SHEET 1 OF 2	


© COPYRIGHT 19 BY AMP INCORPORATED, HARRISBURG, PA.  
 ALL INTERNATIONAL RIGHTS RESERVED. AMP INCORPORATED PRODUCTS  
 COVERED BY U. S. AND FOREIGN PATENTS AND/OR PATENTS PENDING.

UNPUBLISHED COPY NOT REPRODUCED NOR PUBLISHED WITHOUT WRITTEN PERMISSION OF AMP INCORPORATED.

REVISIONS						
P	F	ZONE	LTR	DESCRIPTION	DATE	APPROVED
				H [SEE SHEET 1 OF 2]		

- 1. NUMBERS AND LINES INDICATING EVERY FIVE CAVITIES MOLDED OR MARKED ON MATING FACE.
- 2. AMP PART NUMBER DATE CODE, 00779 & MILITARY PART NUMBER MOLDED OR MARKED THIS AREA. SIDE OPTIONAL
- 3. MUST MEET ALL APPLICABLE REQUIREMENTS OF MIL-C-55302.
- 4. NUMBERS INDICATING EVERY FIVE CAVITIES MOLDED OR MARKED ON SIDE.
- 5. KEY POSITION IDENTIFICATION MOLDED ON SURFACES SHOWN.
- 6. USE EXTERNAL KEY NUMBER 530341-1 MATES WITH PART NUMBER 530339.
- 7. HOUSING MATERIAL: DIALLYL PHTHALATE COLOR: BLUE PER MIL-M-14 TYPE SDG-F.
- 8. CONTACT MATERIAL: BERYLLIUM COPPER OR COPPER-NICKEL-SILICONE .000050 GOLD OVER NICKEL IN MATING AREA
- 9. POST STABILIZER MATERIAL: GLASS FILLED THERMOPLASTIC FLAME RETARDANT.
- 10. EPOXY ADDED TO AREA WHERE CONTACT POSTS EMERGE FROM THE STABILIZER TO INSURE POST TRUE POSITION.

M55302/27-209	71	140 <sup>70</sup>	6.900	69	7.165	7.565	7.855	140	1-530777-3
M55302/27-208	68	134 <sup>67</sup>	6.600	66	6.865	7.265	7.555	134	1- -2
M55302/27-207	66	130 <sup>65</sup>	6.400	64	6.665	7.065	7.355	130	1- -1
M55302/27-206	61	120 <sup>60</sup>	5.900	59	6.165	6.565	6.855	120	1- -0
M 55302/27-135	56	110 <sup>55</sup>	5.400	54	5.665	6.065	6.355	110	530777-9
M 55302/27-134	51	100 <sup>50</sup>	4.900	49	5.165	5.565	5.855	100	-8
M 55302/27-133	46	90 <sup>45</sup>	4.400	44	4.665	5.065	5.355	90	-7
M 55302/27-132	41	80 <sup>40</sup>	3.900	39	4.165	4.565	4.855	80	-6
M 55302/27-131	36	70 <sup>35</sup>	3.400	34	3.665	4.065	4.355	70	-5
M 55302/27-130	31	60 <sup>30</sup>	2.900	29	3.165	3.565	3.855	60	-4
M 55302/27-129	26	50 <sup>25</sup>	2.400	24	2.665	3.065	3.355	50	-3
M 55302/27-128	21	40 <sup>20</sup>	1.900	19	2.165	2.565	2.855	40	-2
M 55302/27-127	16	30 <sup>15</sup>	1.400	14	1.665	2.065	2.355	30	530777-1
M 55302									
PART NUMBER	CONTACT IDENTIFICATION NO		E	D	C	B	A	NO OF CONTACTS	PART NO

UNLESS OTHERWISE SPECIFIED DIMENSIONS ARE IN INCHES. TOLERANCES ON: DECIMALS ±.005 ANGLES ±	CONTRACT NO		 AMP INCORPORATED Harrisburg, Pa.	
	DR Robert Weber 11-15-76			
MATERIAL	CHK R. Williams 11-23-76		NAME BOX CONNECTOR RECEPTACLE ASSY 100GRID EXTERNAL KEYING	
	APPD R. Williams 11-23-76			
FINISH	APPD D.C. Myers 11-29-76		SIZE CODE IDENT NO DRAWING NO <b>C 00779 530777</b>	
	DSGN APPD			
OTHER APPD		REV H		SHEET 2 OF 2
		SCALE 4:1		

单击下面可查看定价，库存，交付和生命周期等信息

[>>TE Connectivity\(泰科\)](#)